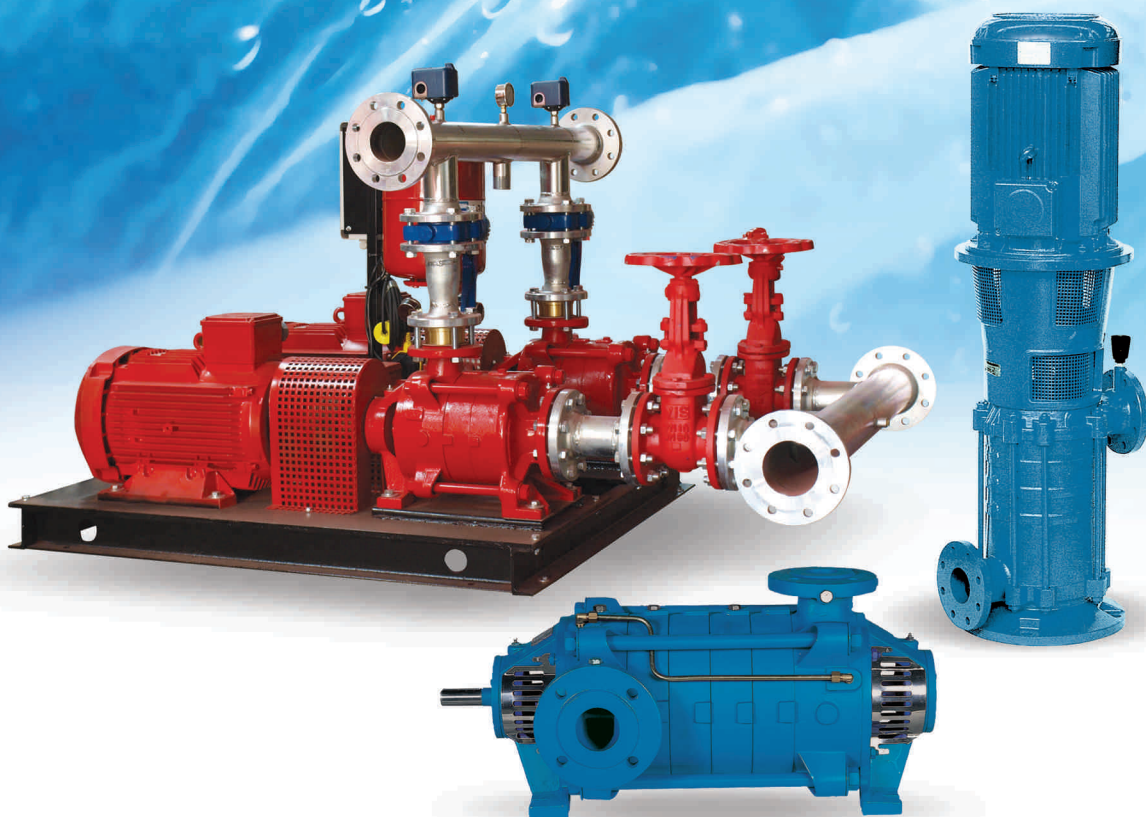


MGH

**Horizontal Multistage
Pumps**

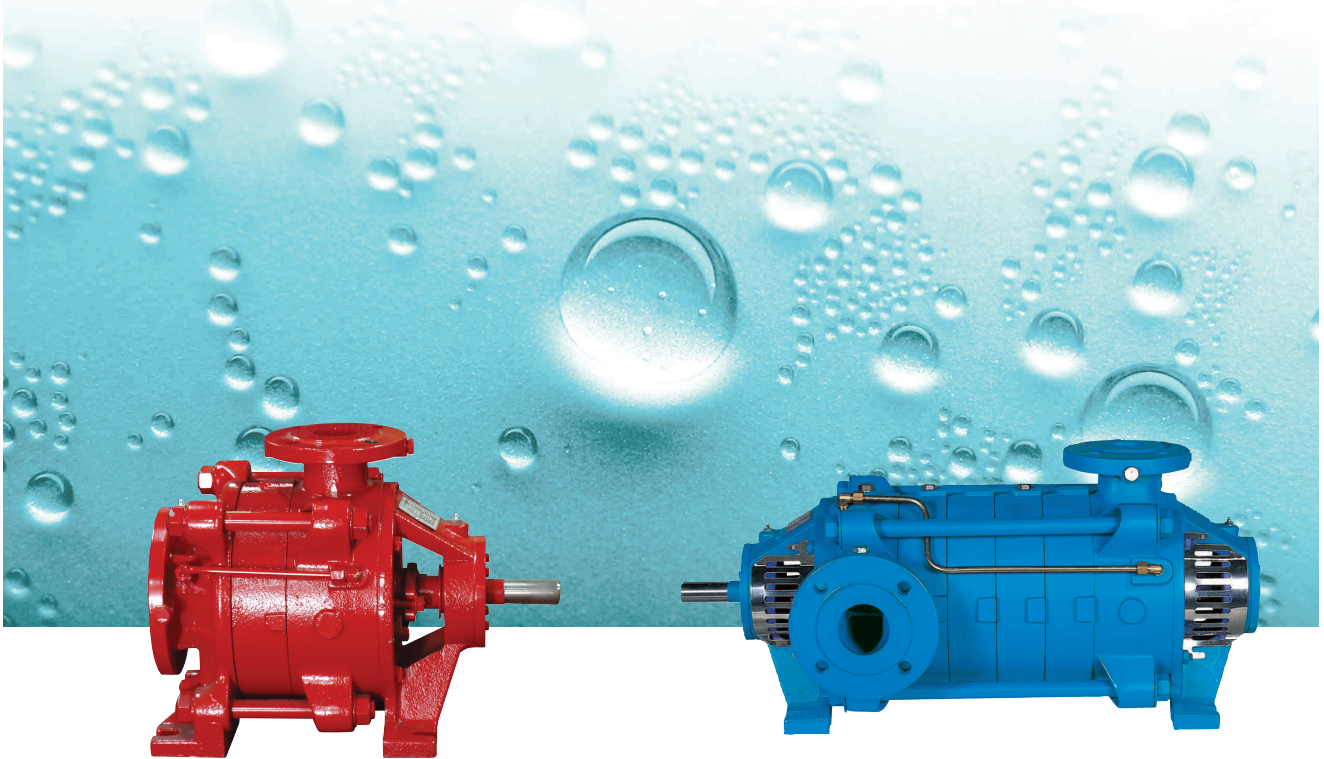
n = 1450 1/min

n = 2900 1/min



 **calpeda**[®]

CE



Construction

Centrifugal pump with suction and discharge connections in off-line radial design. Stages and casing assembled by external tie-bolts. Sealed by mechanical seals.

Pump-motor connection by semi-elastic coupling without spacer, coupling with spacer available in option.

Pump with axial suction port available for some models. (MGH-E/MGH4-E versions)

Rated speed of rotation (50 Hz) : MGH = 2900 1/min.
MGH4 = 1450 1/min.

Connections: PN 16 suction flanges EN 1092-2.
PN 40 (PN 64) discharge flanges EN 1092-2.
Max.working pressure 30 (50) bar

Shaft sealing

- Standardized mechanical seal in accordance with ISO 3069.
- Stuffing box seal or different mechanical seals (on request).

Operating conditions

Liquid temperature from -20°C to +120°C. (standard mechanical seal)
Ambient temperature up to 40°C.
Total suction lift up to 7 m.
Maximum permissible working pressure up to 30/50 bar.

Pump-Motor unit

MGH, MGH4 pump connected to a standard electric motor in B3 construction form (IEC 72), IP 54 protection, three-phase 400 V, 50 Hz by means of a baseplate, driven by a flexible coupling and with coupling protection.

Applications

- For clean liquids, without abrasives, which are non-aggressive for the pump materials (contents of solids up to 0.2%).
- For water supply.
- For pressure boosting.
- For heating, air conditioning, cooling and circulation plants.
- For civil and industrial applications and for agriculture.
- For fire fighting applications.
- For irrigation.
- Boiler feeding

Special features on request

- Special mechanical seal.
- Different construction materials for specific applications.
- Higher or lower liquid or ambient temperatures.
- Other motor protection.
- Explosion proof motor.
- Motor for other voltage.
- Frequency 60 Hz (as per 60 Hz data sheet).

Materials

Suction/discharge casing	GG 25 (Optional GGG 40 / AISI 304 / AISI 316 / Bronze)
Interstage casing	
Impeller	
Pump shaft	AISI 420 (Optional AISI 304 / AISI 316)
Shaft sleeve	AISI 304 (Optional AISI 316 / Bronze)
Mechanical seal	Silicon Carbide / Carbon Graphite*
Baseplate	DIN 17100 - St 37, epoxy coated
Coupling guard	EN 294 / DIN 31001, epoxy coated

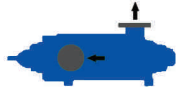
* Different mechanical seals or soft gland packed sealings are available upon request.

Composition of MGH series pumps

Connection

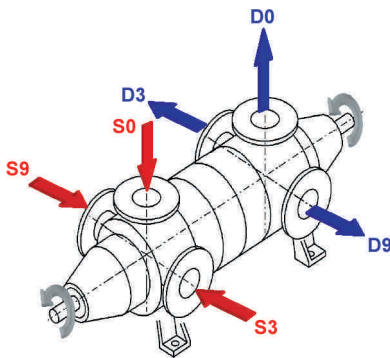
MGH series

Horizontal pump with bare shaft.
Radial suction and discharge connections.



MGH-E series

Horizontal pump with bare shaft.
Axial suction and radial discharge connections.



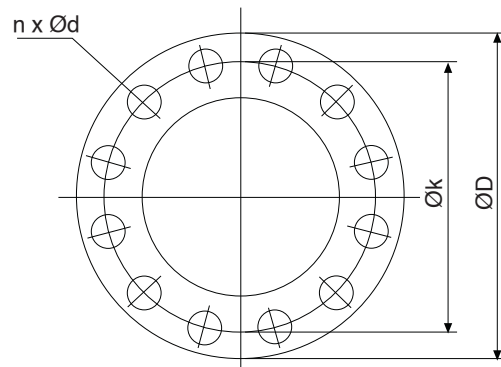
S9/D3, S0/D0 and S3/D9 positions are available only from 3 stages for sizes 32 to 125

Measurements of flanges

Type	Suction flange DIN 2533/PN16					Discharge Flange DIN 2535/PN40				
	MGH	Size	ØD	Øk	Ød	n	Size	ØD	Øk	Ød
32	DN 40	150	110	18	4	DN 32	140	100	18	4
40	DN 50	165	125	18	4	DN 40	150	110	18	4
50	DN 65	185	145	18	4	DN 50	165	125	18	4
65	DN 80	200	160	18	8	DN 65	185	145	18	8
80	DN 100	220	180	18	8	DN 80	200	160	18	8
100	DN 125	250	210	18	8	DN 100	235	190	23	8
125	DN 150	285	240	23	8	DN 125	270	220	27	8
150	DN 200	340	295	23	12	DN 150	300	250	27	8
200	DN 250	405	355	27	12	DN 200	375	320	30	12
MGH-E	Size	ØD	Øk	Ød	n	Size	ØD	Øk	Ød	n
80	DN 125	250	210	18	8	DN 80	200	160	18	8
100	DN 150	285	240	23	8	DN 100	235	190	23	8
125	DN 200	340	295	23	12	DN 125	270	220	27	8
150	DN 200	340	295	23	12	DN 150	300	250	27	8

Max. Number of Stages

Type	1450 rpm		2900 rpm	
	MGH	MGH-E	MGH	MGH-E
MGH 32	14	-	13	-
MGH 40	13	-	12	-
MGH 50	12	-	10	-
MGH 65	11	-	10	-
MGH 80	15	8	6	3
MGH 100	15	10	-	-
MGH 125	12	8	-	-
MGH 150	10	5	-	-
MGH 200	6	-	-	-



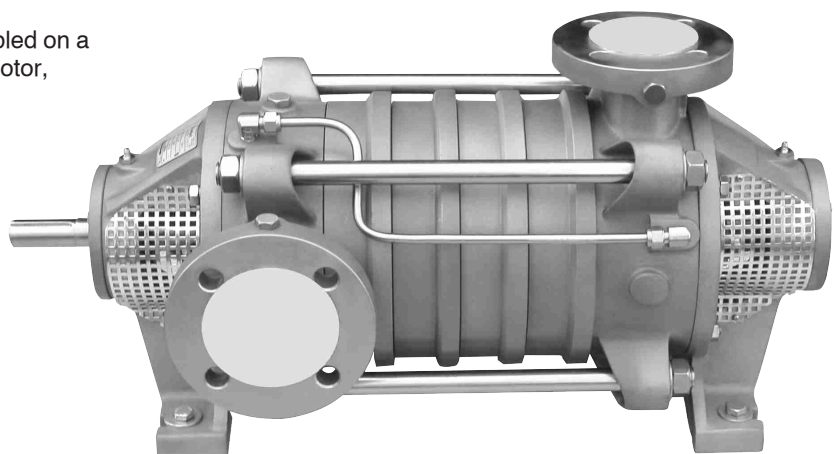
Unit Assembly

MGH series pumps are supplied fully assembled on a common baseplate, complete with electric motor, coupling and coupling guard.

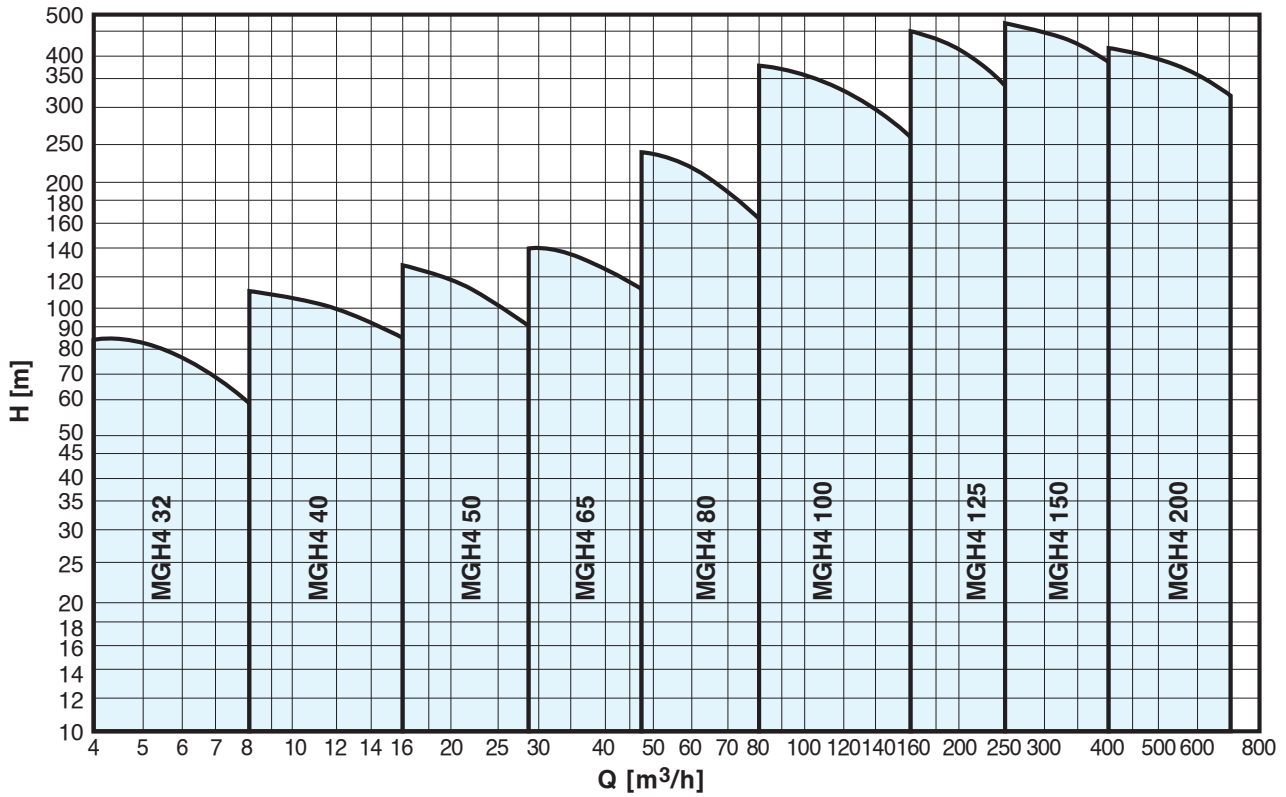
Baseplates are constructed by welding DIN 17100-St 37 sheet metals and profiles, epoxy coated.

Coupling guards are in compliance with European Standard EN 294 and DIN 31001, also epoxy coated.

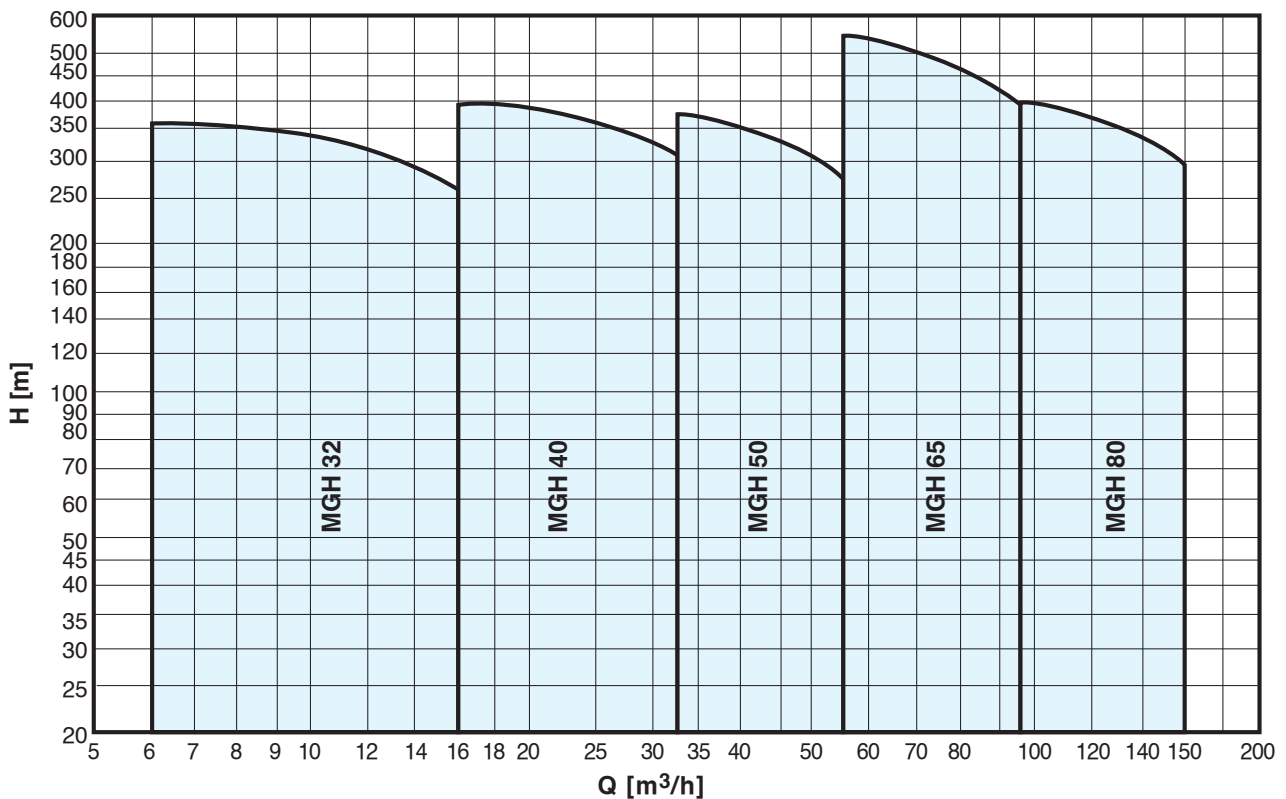
The drive motor and pump shaft is coupled by semi-elastic coupling without spacer.



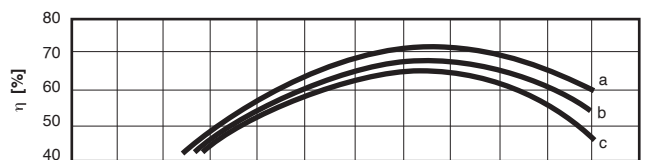
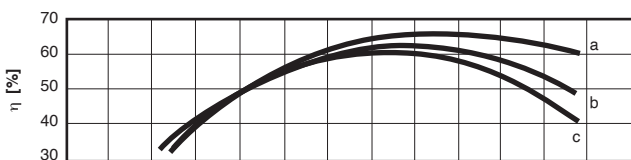
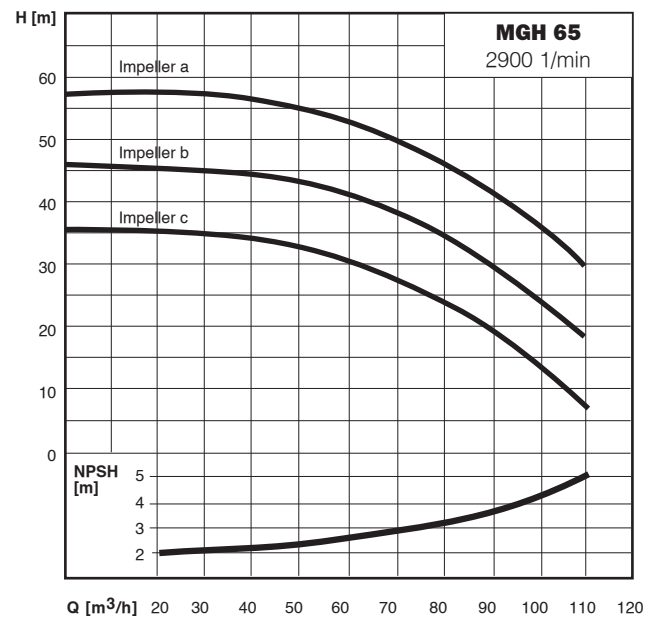
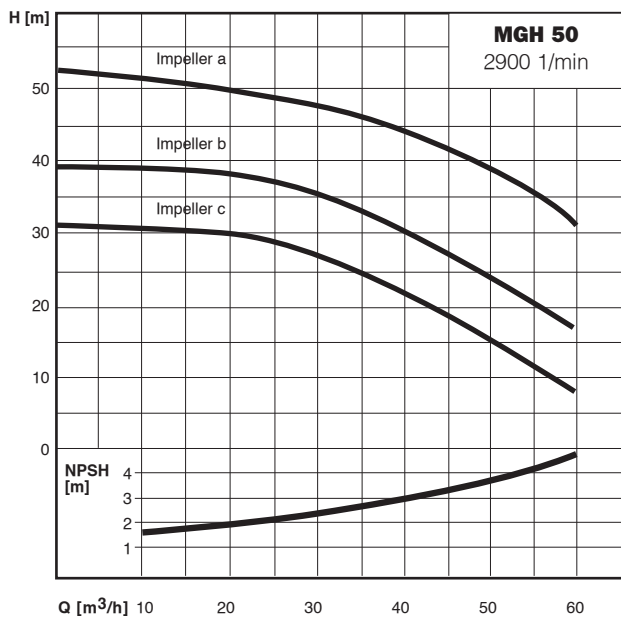
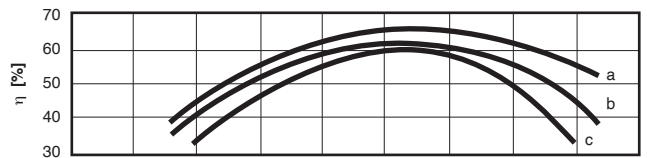
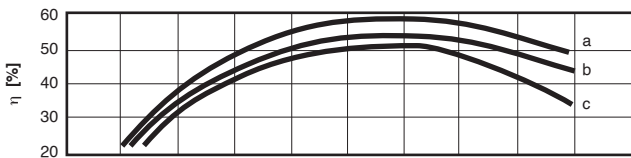
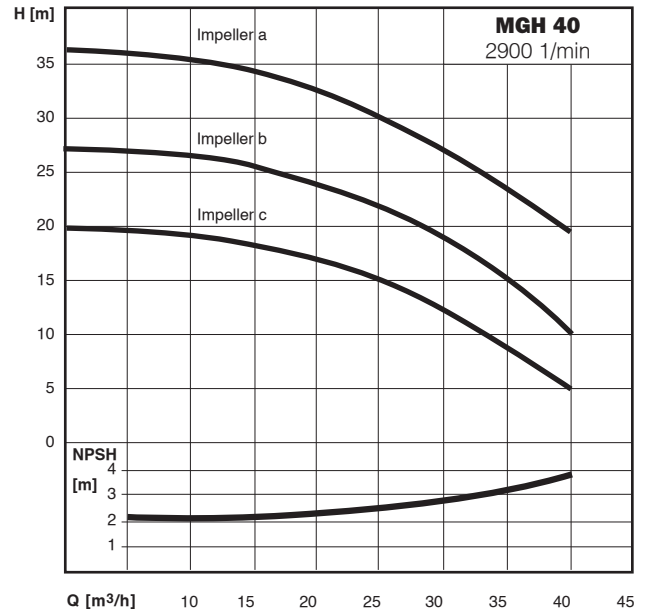
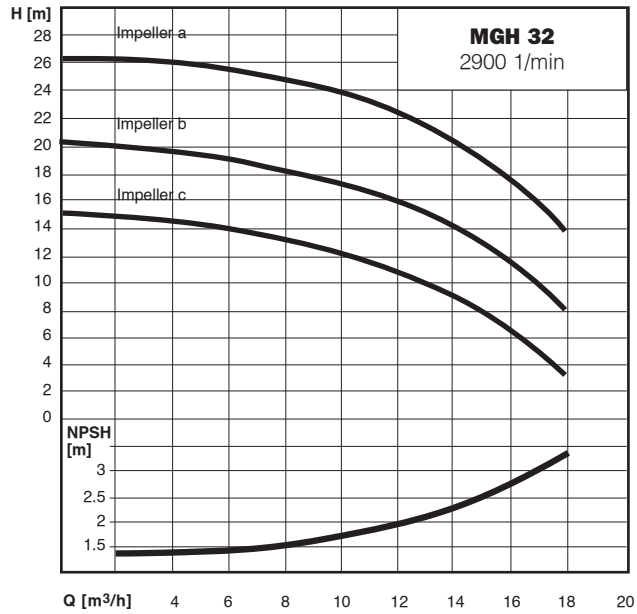
Coverage chart for MGH4 series, $n \approx 1450$ rpm



Coverage chart for MGH series, $n \approx 2900$ rpm



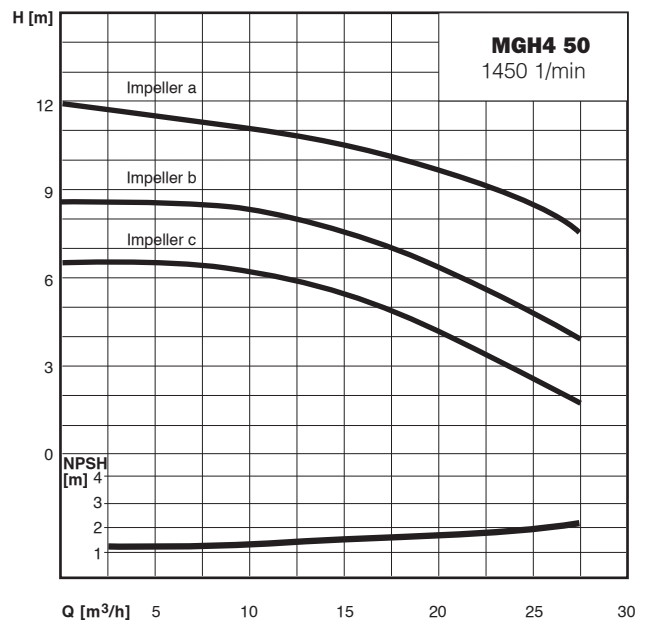
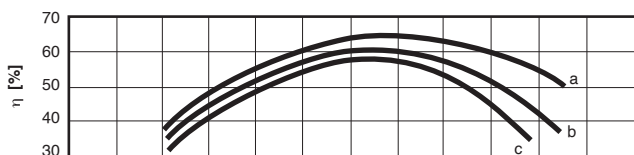
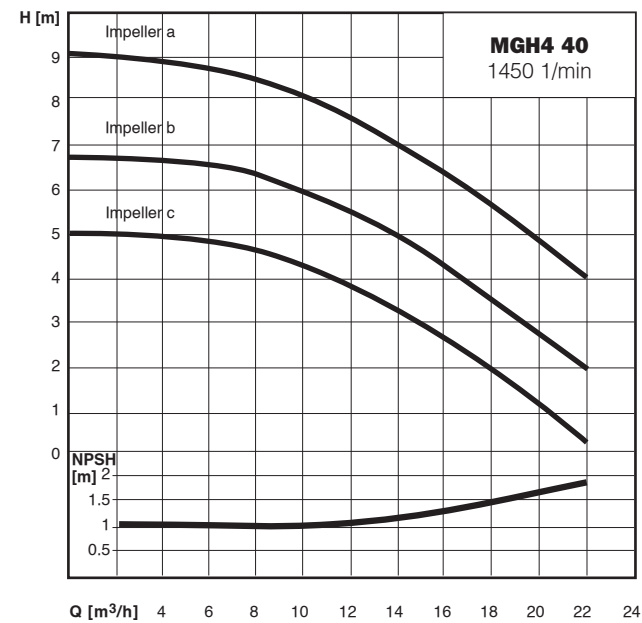
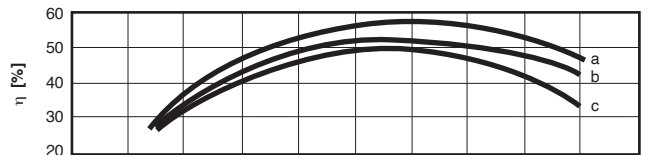
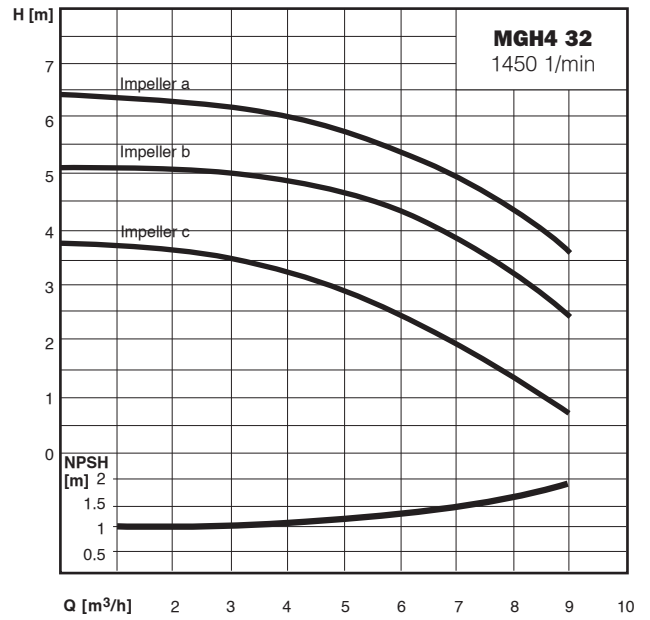
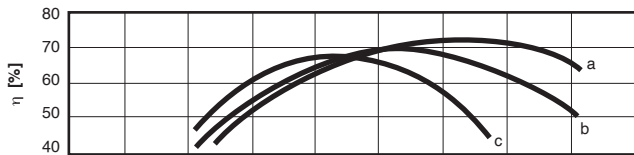
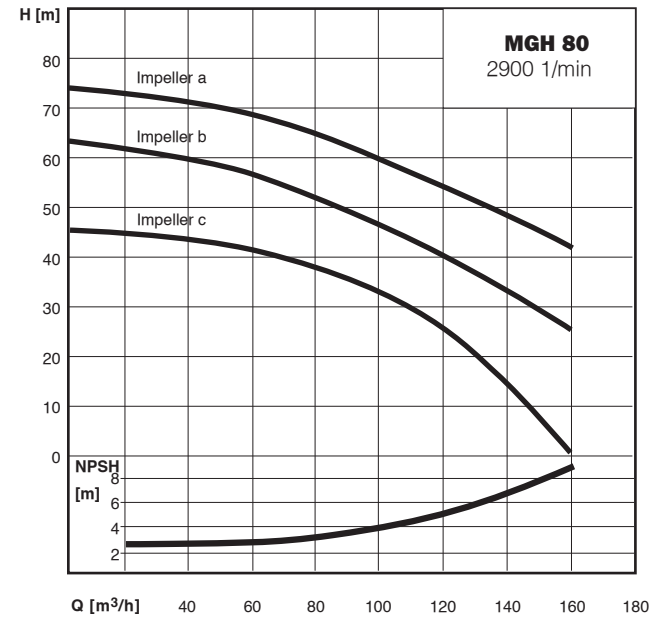
Characteristic curves n = 2900 1/min



Required drive motor power may be calculated by using the formula:

$$P \text{ (kW)} = \frac{Q \text{ (m}^3\text{/h)} \times H \text{ (m)} \times \rho \text{ (kg/dm}^3\text{)}}{367 \times \eta} \times \text{safety factor}$$

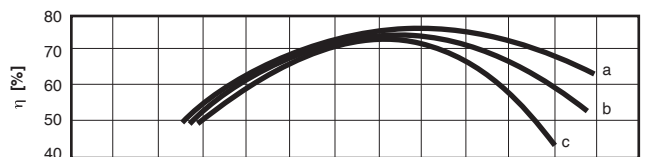
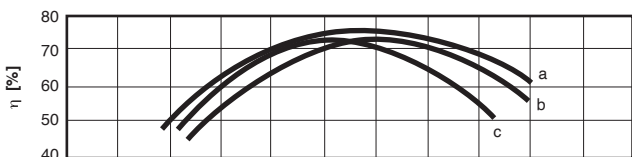
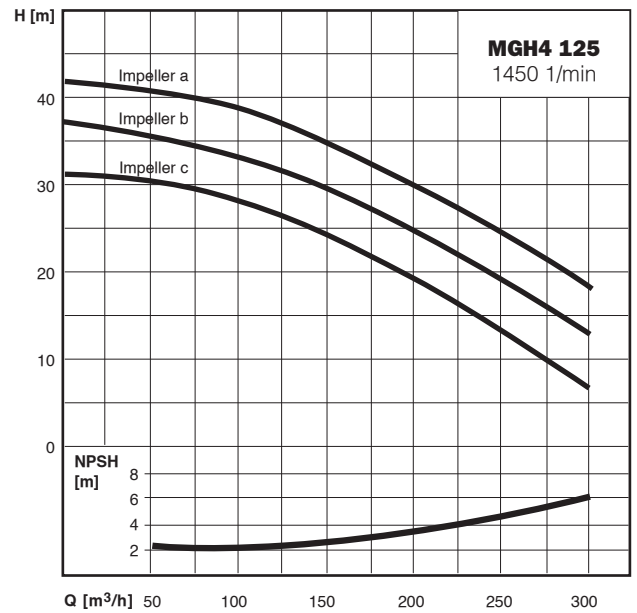
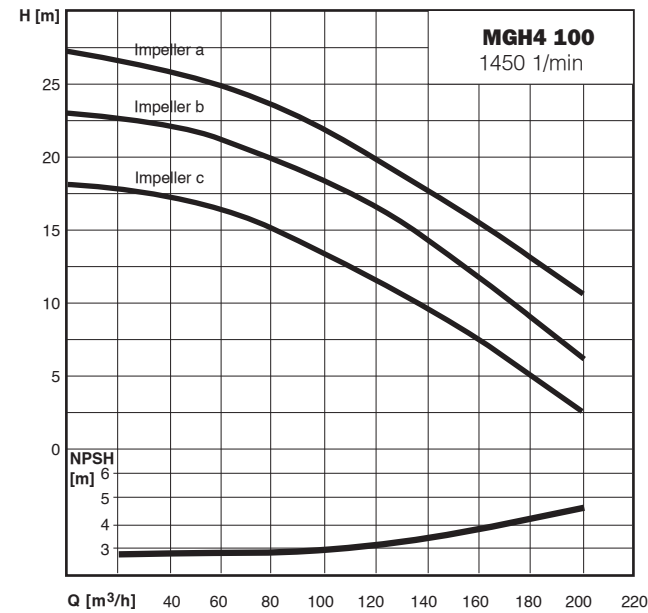
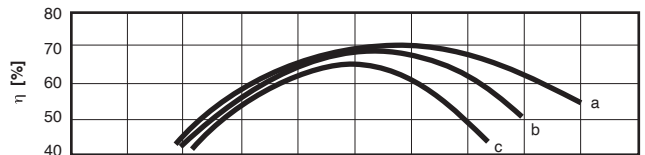
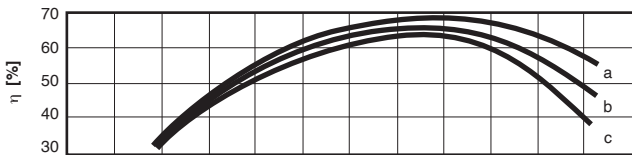
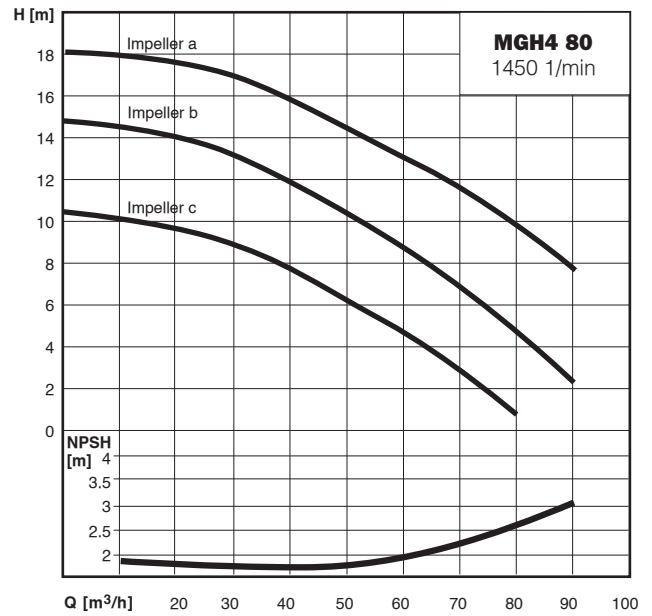
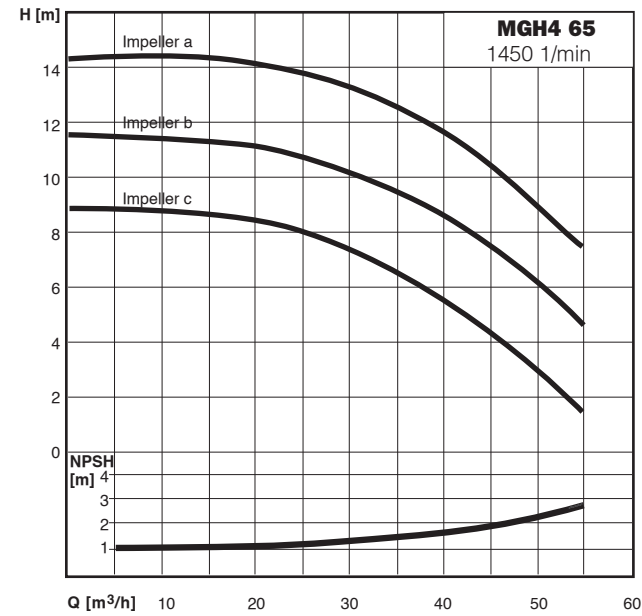
Characteristic curves n = 2900 1/min - n = 1450 1/min



Required drive motor power may be calculated by using the formula:

$$P \text{ (kW)} = \frac{Q \text{ (m}^3\text{/h)} \times H \text{ (m)} \times \rho \text{ (kg/dm}^3\text{)}}{367 \times \eta} \times \text{safety factor}$$

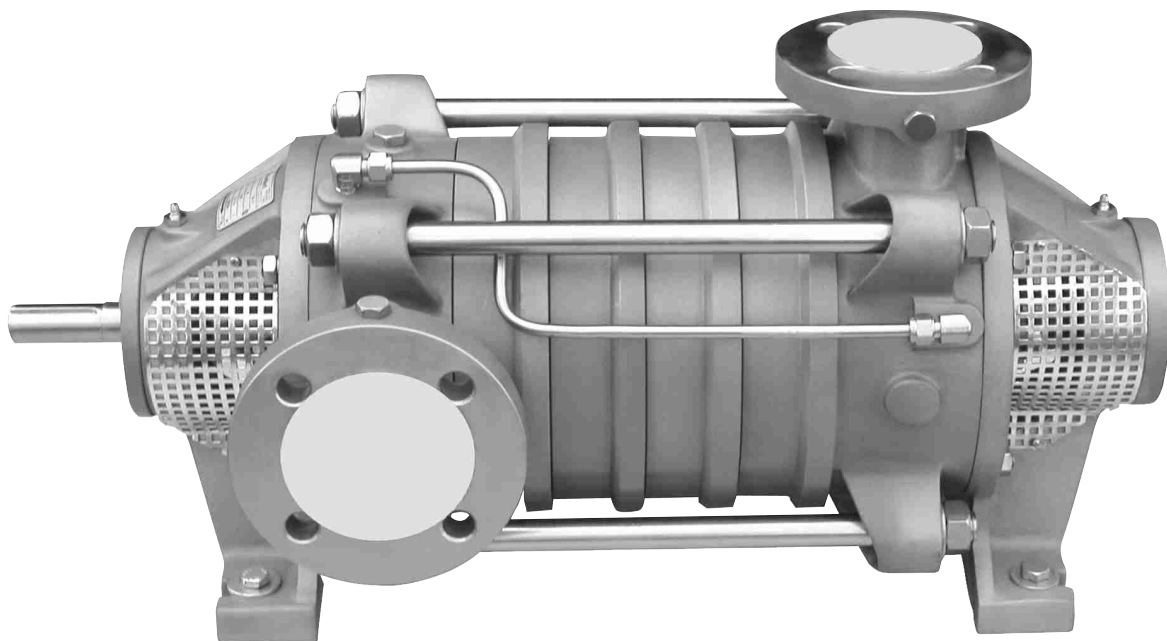
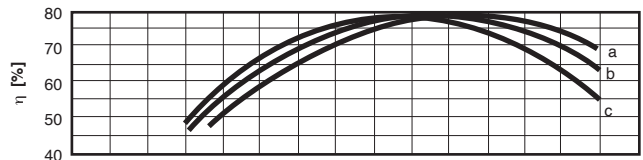
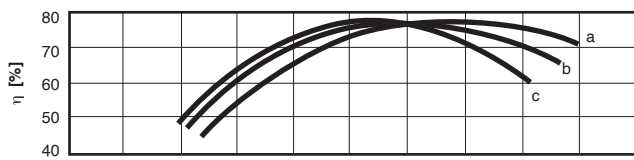
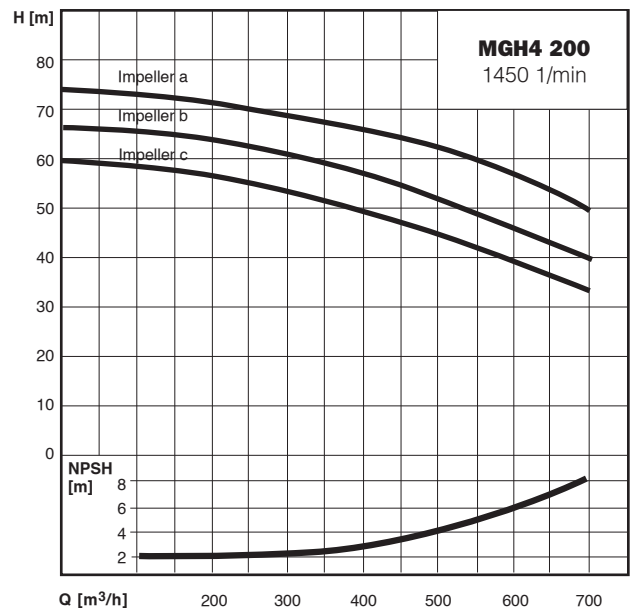
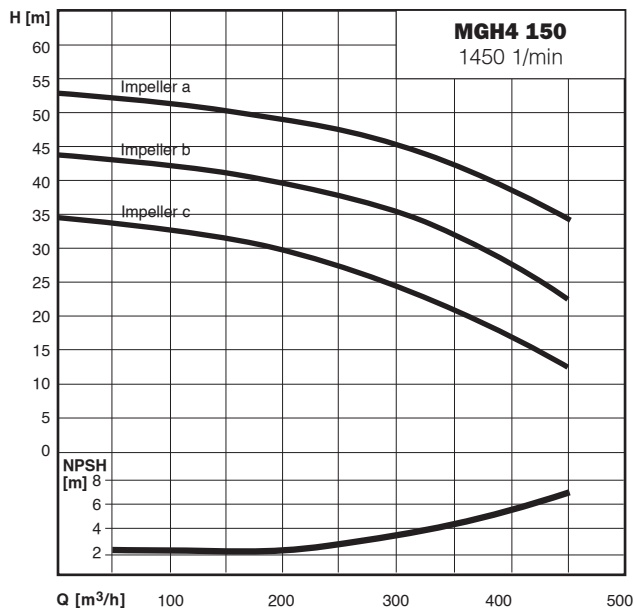
Characteristic curves n = 1450 1/min



Required drive motor power may be calculated by using the formula:

$$P \text{ (kW)} = \frac{Q \text{ (m}^3\text{/h)} \times H \text{ (m)} \times \rho \text{ (kg/dm}^3\text{)}}{367 \times \eta} \times \text{safety factor}$$

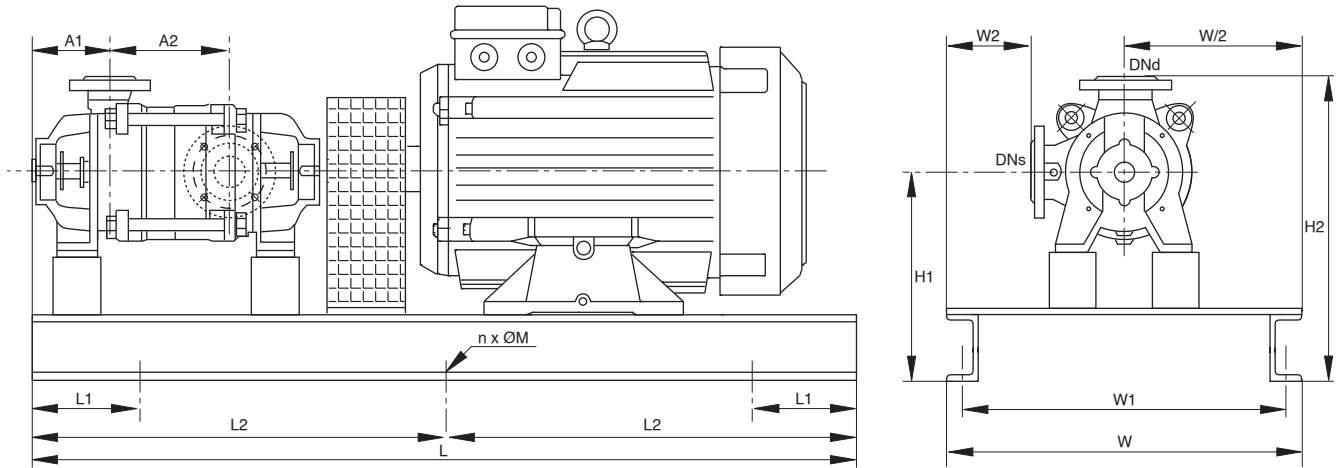
Characteristic curves n = 1450 1/min



Required drive motor power may be calculated by using the formula:

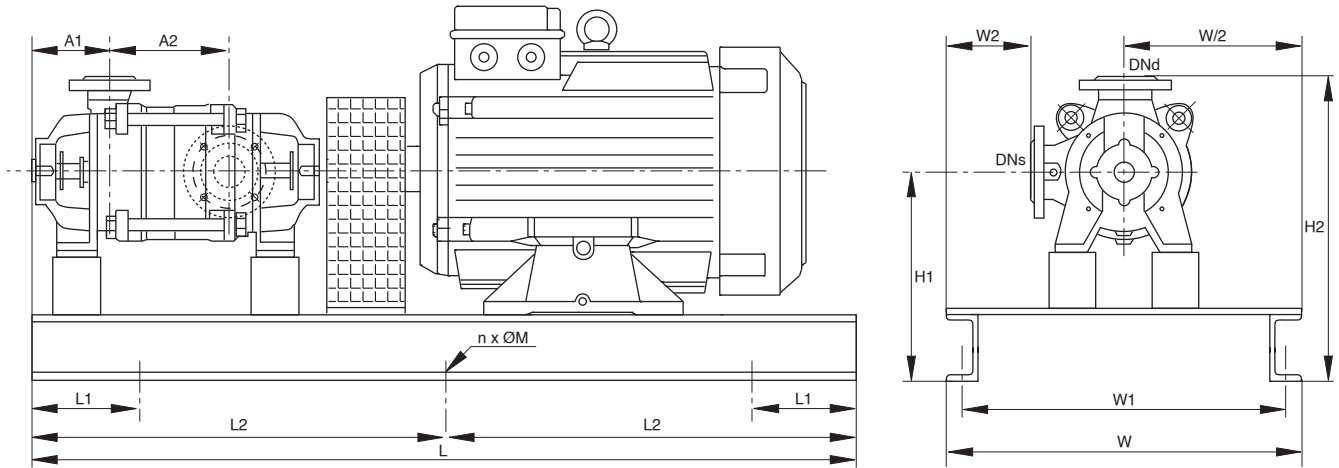
$$P \text{ (kW)} = \frac{Q \text{ (m}^3\text{/h)} \times H \text{ (m)} \times \rho \text{ (kg/dm}^3\text{)}}{367 \times \eta} \times \text{safety factor}$$

Dimensions



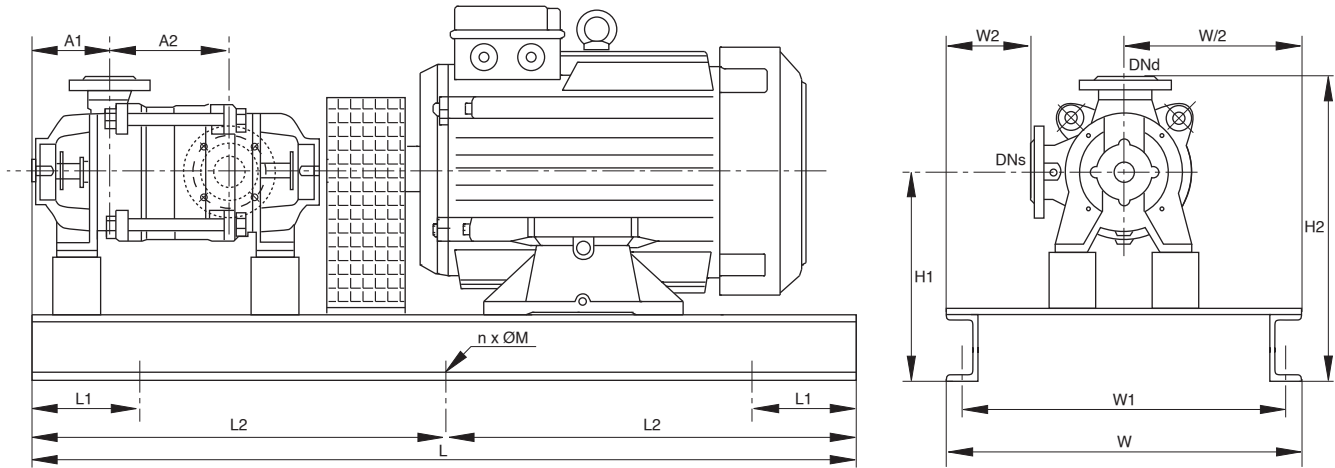
Pump type	Motor	DNs [mm]	DNd [mm]	L [mm]	W [mm]	H1 [mm]	H2 [mm]	A1 [mm]	A2 [mm]	L1 [mm]	L2 [mm]	n X M [nXØmm]	W1 [mm]	W2 [mm]	Weight [kg]
MGH4 32/2 - 0.18	63M4B	40	32	750	350	218	370	165	114	100	-	4x12	320	23	83
MGH4 32/2 - 0.25	71M4A	40	32	800	350	218	370	165	114	100	-	4x12	320	23	88
MGH4 32/2 - 0.37	71M4B	40	32	800	350	218	370	165	114	100	-	4x12	320	23	89
MGH 32/2 - 1.5	90S2A	40	32	850	350	218	370	165	114	100	-	4x12	320	23	97
MGH 32/2 - 2.2	90L2A	40	32	850	350	218	370	165	114	100	-	4x12	320	23	99
MGH 32/2 - 3	100L2A	40	32	900	350	218	370	165	114	100	-	4x12	320	23	107
MGH4 32/3 - 0.37	71M4B	40	32	800	350	218	370	165	157	100	-	4x12	320	23	95
MGH4 32/3 - 0.55	80M4A	40	32	850	350	218	370	165	157	100	-	4x12	320	23	99
MGH 32/3 - 3	100L2A	40	32	950	350	218	370	165	157	100	-	4x12	320	23	115
MGH 32/3 - 4	112M2A	40	32	950	350	218	370	165	157	100	-	4x12	320	23	123
MGH 32/3 - 5.5	132S2A	40	32	1000	400	218	370	165	157	100	-	4x12	370	48	132
MGH4 32/4 - 0.37	71M4B	40	32	850	350	218	370	165	200	100	-	4x12	320	23	103
MGH4 32/4 - 0.55	80M4A	40	32	900	350	218	370	165	200	100	-	4x12	320	23	106
MGH4 32/4 - 0.75	80M4B	40	32	900	350	218	370	165	200	100	-	4x12	320	23	107
MGH 32/4 - 3	100L2A	40	32	950	350	218	370	165	200	100	-	4x12	320	23	121
MGH 32/4 - 4	112M2A	40	32	1000	350	218	370	165	200	100	-	4x12	320	23	131
MGH 32/4 - 5.5	132S2A	40	32	1050	400	238	390	165	200	100	-	4x12	360	48	144
MGH 32/4 - 7.5	132S2C	40	32	1050	400	238	390	165	200	100	-	4x14	360	48	151
MGH4 32/5 - 0.55	80M4A	40	32	950	350	218	370	165	243	100	-	4x12	320	23	114
MGH4 32/5 - 0.75	80M4B	40	32	950	350	218	370	165	243	100	-	4x12	320	23	115
MGH4 32/5 - 1.1	90S4A	40	32	950	350	218	370	165	243	100	-	4x12	320	23	117
MGH 32/5 - 4	112M2A	40	32	1050	350	238	390	165	243	100	-	4x12	310	23	143
MGH 32/5 - 5.5	132S2A	40	32	1100	400	238	390	165	243	100	-	4x14	360	48	152
MGH 32/5 - 7.5	132S2C	40	32	1100	400	238	390	165	243	100	-	4x14	360	48	159
MGH4 32/6 - 0.55	80M4A	40	32	950	350	218	370	165	286	100	-	4x12	320	23	120
MGH4 32/6 - 0.75	80M4B	40	32	950	350	218	370	165	286	100	-	4x12	320	23	121
MGH4 32/6 - 1.1	90S4A	40	32	1000	350	218	370	165	286	100	-	4x12	320	23	124
MGH 32/6 - 5.5	132S2A	40	32	1150	400	238	390	165	286	100	-	4x14	360	48	160
MGH 32/6 - 7.5	132S2C	40	32	1150	400	238	390	165	286	100	-	4x14	360	48	167
MGH 32/6 - 11	160M2A	40	32	1300	450	266	418	165	286	150	650	6x12	410	73	204
MGH4 32/7 - 0.75	80M4B	40	32	1000	350	218	370	165	329	100	-	4x12	320	23	128
MGH4 32/7 - 1.1	90S4A	40	32	1050	350	218	370	165	329	100	-	4x12	320	23	132
MGH4 32/7 - 1.5	90L4A	40	32	1050	350	238	390	165	329	100	-	4x12	310	23	138
MGH 32/7 - 5.5	132S2A	40	32	1200	400	238	390	165	329	100	-	4x14	360	48	168
MGH 32/7 - 7.5	132S2C	40	32	1200	400	238	390	165	329	100	-	4x14	360	48	175
MGH 32/7 - 11	160M2A	40	32	1350	450	288	440	165	329	150	675	6x12	405	73	229
MGH4 32/8 - 0.75	80M4B	40	32	1050	350	238	390	165	372	100	-	4x12	310	23	140
MGH4 32/8 - 1.1	90S4A	40	32	1100	350	238	390	165	372	100	-	4x12	310	23	144
MGH4 32/8 - 1.5	90L4A	40	32	1100	350	238	390	165	372	100	-	4x12	310	23	146
MGH 32/8 - 7.5	132S2C	40	32	1250	400	238	390	165	372	150	625	6x12	360	48	183
MGH 32/8 - 11	160M2A	40	32	1350	450	288	440	165	372	150	675	6x12	405	73	235
MGH 32/8 - 15	160M2B	40	32	1350	450	288	440	165	372	150	675	6x12	405	73	242
MGH4 32/9 - 1.1	90S4A	40	32	1150	350	238	390	165	415	100	-	4x14	310	23	152
MGH4 32/9 - 1.5	90L4A	40	32	1150	350	238	390	165	415	100	-	4x14	310	23	154
MGH4 32/9 - 2.2	100L4A	40	32	1200	350	238	390	165	415	100	-	4x14	310	23	164
MGH 32/9 - 7.5	132S2C	40	32	1250	400	238	390	165	415	150	625	6x12	360	48	189
MGH 32/9 - 11	160M2A	40	32	1400	450	288	440	165	415	150	700	6x12	405	73	244
MGH 32/9 - 15	160M2B	40	32	1400	450	288	440	165	415	150	700	6x16	405	73	251

Dimensions



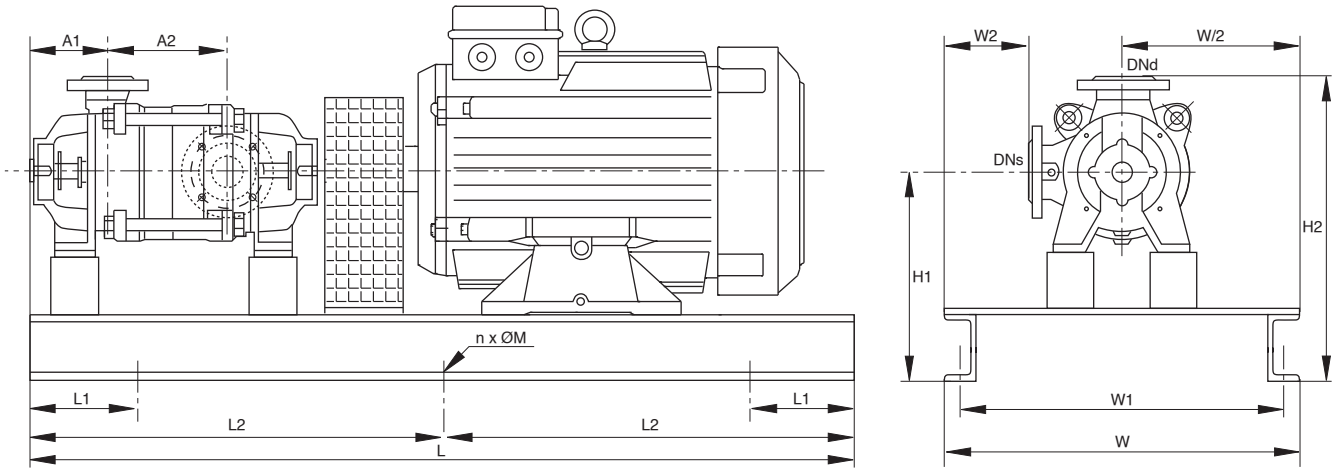
Pump type	Motor	DNs [mm]	DNd [mm]	L [mm]	W [mm]	H1 [mm]	H2 [mm]	A1 [mm]	A2 [mm]	L1 [mm]	L2 [mm]	n X M [nXØmm]	W1 [mm]	W2 [mm]	Weight [kg]
MGH4 32/10 - 1.1	90S4A	40	32	1200	350	238	390	165	458	100	-	4x14	310	23	159
MGH4 32/10 - 1.5	90L4A	40	32	1200	350	238	390	165	458	100	-	4x14	310	23	161
MGH4 32/10 - 2.2	100L4A	40	32	1250	350	238	390	165	458	150	625	6x12	310	23	172
MGH 32/10 - 7.5	132S2C	40	32	1300	400	238	390	165	458	150	650	6x12	360	48	197
MGH 32/10 - 11	160M2A	40	32	1450	450	288	440	165	458	150	725	6x16	405	73	253
MGH 32/10 - 15	160M2B	40	32	1450	450	288	440	165	458	150	725	6x16	405	73	260
MGH4 32/11 - 1.1	90S4A	40	32	1200	350	238	390	165	501	100	-	4x14	310	23	165
MGH4 32/11 - 1.5	90L4A	40	32	1200	350	238	390	165	501	100	-	4x14	310	23	167
MGH4 32/11 - 2.2	100L4A	40	32	1250	350	238	390	165	501	150	625	6x12	310	23	178
MGH 32/11 - 11	160M2A	40	32	1500	450	288	440	165	501	150	750	6x16	405	73	262
MGH 32/11 - 15/2	160M2B	40	32	1500	450	288	440	165	501	150	750	6x16	405	73	269
MGH 32/11 - 18.5	160L2A	40	32	1500	450	288	440	165	501	150	750	6x16	405	73	284
MGH4 32/12 - 1.1	90S4A	40	32	1250	350	238	390	165	544	150	625	6x12	310	23	173
MGH4 32/12 - 1.5	90L4A	40	32	1250	350	238	390	165	544	150	625	6x12	310	23	175
MGH4 32/12 - 2.2	100L4A	40	32	1300	350	238	390	165	544	150	650	6x12	310	23	186
MGH 32/12 - 11	160M2A	40	32	1550	450	288	440	165	544	150	775	6x16	405	73	270
MGH 32/12 - 15	160M2B	40	32	1550	450	288	440	165	544	150	775	6x16	405	73	277
MGH 32/12 - 18.5	160L2A	40	32	1550	450	288	440	165	544	150	775	6x16	405	73	292
MGH4 32/13 - 1.5	90L4A	40	32	1300	350	238	390	165	587	150	650	6x12	310	23	183
MGH4 32/13 - 2.2	100L4A	40	32	1350	350	238	390	165	587	150	675	6x12	310	23	194
MGH4 32/13 - 3	100L4B	40	32	1350	350	238	390	165	587	150	675	6x12	310	23	197
MGH 32/13 - 11	160M2A	40	32	1600	450	288	440	165	587	150	800	6x16	405	73	279
MGH 32/13 - 15	160M2B	40	32	1600	450	288	440	165	587	150	800	6x16	405	73	286
MGH 32/13 - 18.5	160L2A	40	32	1600	450	288	440	165	587	150	800	6x16	405	73	301
MGH 32/13 - 22	180M2A	40	32	1650	450	308	460	165	587	150	825	6x16	405	73	327
MGH4 32/14 - 1.5	90L4A	40	32	1350	350	238	390	165	630	150	675	6x12	310	23	191
MGH4 32/14 - 2.2	100L4A	40	32	1400	350	238	390	165	630	150	700	6x12	310	23	202
MGH4 32/14 - 3	100L4B	40	32	1400	350	260	412	165	630	150	700	6x12	305	23	220
MGH4 40/2 - 0.55	80M4A	50	40	800	350	246	421	165	133	100	-	4x12	320	0	112
MGH4 40/2 - 0.75	80M4B	50	40	800	350	246	421	165	133	100	-	4x12	320	0	113
MGH4 40/2 - 1.1	90S4A	50	40	850	350	246	421	165	133	100	-	4x12	320	0	117
MGH 40/2 - 4	112M2A	50	40	950	350	266	441	165	133	100	-	4x12	310	0	142
MGH 40/2 - 5.5	132S2A	50	40	1000	400	266	441	165	133	100	-	4x14	360	25	151
MGH 40/2 - 7.5	132S2C	50	40	1000	400	266	441	165	133	100	-	4x14	360	25	158
MGH 40/2 - 11	160M2A	50	40	1150	450	266	441	165	133	100	-	4x14	410	50	195
MGH4 40/3 - 0.75	80M4B	50	40	850	350	246	421	165	188	100	-	4x12	320	0	124
MGH4 40/3 - 1.1	90S4A	50	40	900	350	266	441	165	188	100	-	4x12	310	0	131
MGH4 40/3 - 1.5	90L4A	50	40	900	350	266	441	165	188	100	-	4x12	310	0	133
MGH4 40/3 - 2.2	100L4A	50	40	950	350	266	441	165	188	100	-	4x12	310	0	143
MGH 40/3 - 5.5	132S2A	50	40	1050	400	266	441	165	188	100	-	4x14	360	25	163
MGH 40/3 - 7.5	132S2C	50	40	1050	400	266	441	165	188	100	-	4x14	360	25	170
MGH 40/3 - 11	160M2A	50	40	1200	450	288	463	165	188	100	-	4x14	405	50	222
MGH 40/3 - 15	160M2B	50	40	1200	450	288	463	165	188	100	-	4x14	405	50	229
MGH4 40/4 - 1.1	90S4A	50	40	950	350	266	441	165	243	100	-	4x12	310	0	143
MGH4 40/4 - 1.5	90L4A	50	40	950	350	266	441	165	243	100	-	4x12	310	0	145
MGH4 40/4 - 2.2	100L4A	50	40	1000	350	266	441	165	243	100	-	4x14	310	0	155
MGH 40/4 - 7.5	132S2C	50	40	1100	400	266	441	165	243	100	-	4x14	360	25	181
MGH 40/4 - 11	160M2A	50	40	1250	450	288	463	165	243	150	625	6x12	405	50	234
MGH 40/4 - 15	160M2B	50	40	1250	450	288	463	165	243	150	625	6x12	405	50	241
MGH 40/4 - 18.5	160L2A	50	40	1250	450	288	463	165	243	150	625	6x16	405	50	256

Dimensions



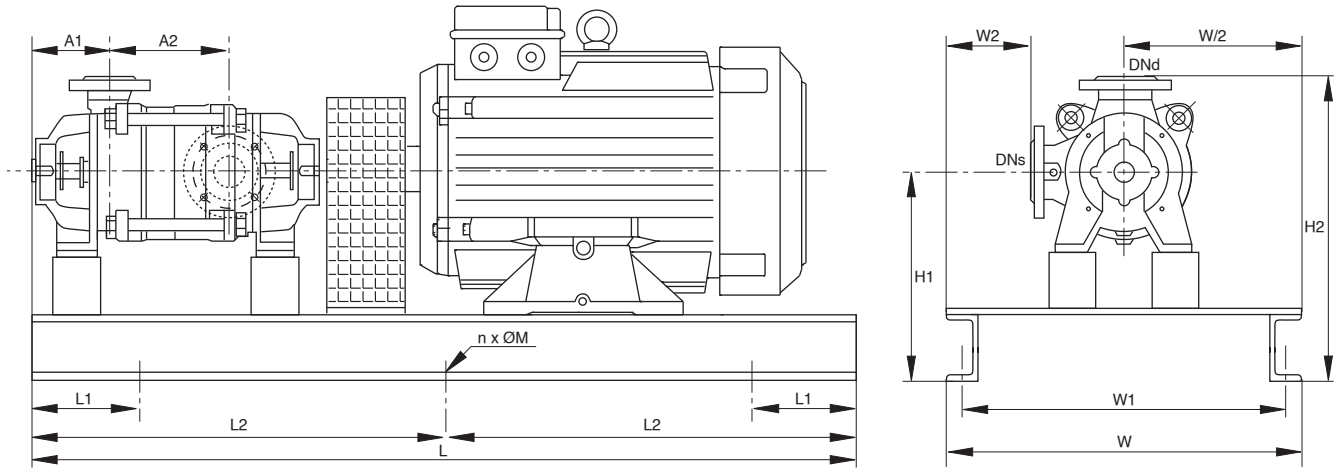
Pump type	Motor	DNs [mm]	DNd [mm]	L [mm]	W [mm]	H1 [mm]	H2 [mm]	A1 [mm]	A2 [mm]	L1 [mm]	L2 [mm]	n X M [nXØmm]	W1 [mm]	W2 [mm]	Weight [kg]
MGH4 40/5 - 1.1	90S4A	50	40	1000	350	266	441	165	298	100	-	4x14	310	0	154
MGH4 40/5 - 1.5	90L4A	50	40	1000	350	266	441	165	298	100	-	4x14	310	0	156
MGH4 40/5 - 2.2	100L4A	50	40	1050	350	266	441	165	298	100	-	4x14	310	0	166
MGH4 40/5 - 3	100L4B	50	40	1050	350	266	441	165	298	100	-	4x14	310	0	169
MGH4 40/5 - 11	160M2A	50	40	1300	450	288	463	165	298	150	650	6x12	405	50	246
MGH4 40/5 - 15	160M2B	50	40	1300	450	288	463	165	298	150	650	6x16	405	50	253
MGH4 40/5 - 18.5	160L2A	50	40	1300	450	288	463	165	298	150	650	6x16	405	50	268
MGH4 40/5 - 22	180M2A	50	40	1350	450	308	483	165	298	150	675	6x16	405	50	294
MGH4 40/6 - 1.5	90L4A	50	40	1050	350	266	441	165	353	100	-	4x14	310	0	167
MGH4 40/6 - 2.2	100L4A	50	40	1100	350	266	441	165	353	100	-	4x14	310	0	177
MGH4 40/6 - 3	100L4B	50	40	1100	350	266	441	165	353	100	-	4x14	310	0	180
MGH4 40/6 - 4	112M4B	50	40	1150	350	266	441	165	353	100	-	4x14	310	0	189
MGH4 40/6 - 11	160M2A	50	40	1350	450	288	463	165	353	150	675	6x16	405	50	258
MGH4 40/6 - 15	160M2B	50	40	1350	450	288	463	165	353	150	675	6x16	405	50	265
MGH4 40/6 - 18.5	160L2A	50	40	1350	450	288	463	165	353	150	675	6x16	405	50	280
MGH4 40/6 - 22	180M2A	50	40	1400	450	308	483	165	353	150	700	6x16	405	50	306
MGH4 40/6 - 30	200L2A	50	40	1450	500	348	523	165	353	150	725	6x16	450	75	355
MGH4 40/7 - 2.2	100L4A	50	40	1200	350	266	441	165	408	100	-	4x14	310	0	191
MGH4 40/7 - 3	100L4B	50	40	1200	350	266	441	165	408	100	-	4x14	310	0	194
MGH4 40/7 - 4	112M4B	50	40	1200	400	288	463	165	408	100	-	4x14	355	25	218
MGH4 40/7 - 15	160M2B	50	40	1400	450	288	463	165	408	150	700	6x16	405	50	278
MGH4 40/7 - 18.5	160L2A	50	40	1400	450	288	463	165	408	150	700	6x16	405	50	293
MGH4 40/7 - 22	180M2A	50	40	1450	450	308	483	165	408	150	725	6x16	405	50	318
MGH4 40/7 - 30	200L2A	50	40	1500	500	348	523	165	408	150	750	6x16	450	75	368
MGH4 40/8 - 2.2	100L4A	50	40	1250	350	288	463	165	463	150	625	6x12	305	0	216
MGH4 40/8 - 3	100L4B	50	40	1250	350	288	463	165	463	150	625	6x12	305	0	219
MGH4 40/8 - 4	112M4B	50	40	1250	400	288	463	165	463	150	625	6x12	355	25	230
MGH4 40/8 - 5.5	132S4C	50	40	1300	400	288	463	165	463	150	650	6x12	355	25	240
MGH4 40/8 - 15	160M2B	50	40	1450	450	288	463	165	463	150	725	6x16	405	50	290
MGH4 40/8 - 18.5	160L2A	50	40	1450	450	288	463	165	463	150	725	6x16	405	50	305
MGH4 40/8 - 22	180M2A	50	40	1500	450	308	483	165	463	150	750	6x16	405	50	331
MGH4 40/8 - 30	200L2A	50	40	1550	500	348	523	165	463	150	775	6x16	450	75	380
MGH4 40/8 - 37	200L2B	50	40	1550	500	348	523	165	463	150	775	6x16	450	75	399
MGH4 40/9 - 2.2	100L4A	50	40	1300	350	288	463	165	518	150	650	6x12	305	0	228
MGH4 40/9 - 3	100L4B	50	40	1300	350	288	463	165	518	150	650	6x12	305	0	231
MGH4 40/9 - 4	112M4B	50	40	1300	400	288	463	165	518	150	650	6x12	355	25	242
MGH4 40/9 - 5.5	132S4C	50	40	1350	400	288	463	165	518	150	675	6x16	355	25	253
MGH4 40/9 - 18.5	160L2A	50	40	1500	450	288	463	165	518	150	750	6x16	405	50	317
MGH4 40/9 - 22	180M2A	50	40	1550	450	328	503	165	518	150	775	6x16	400	50	351
MGH4 40/9 - 30	200L2A	50	40	1600	500	348	523	165	518	150	800	6x16	450	75	393
MGH4 40/9 - 37	200L2B	50	40	1600	500	348	523	165	518	150	800	6x18	450	75	412
MGH4 40/10 - 2.2	100L4A	50	40	1350	350	288	463	165	573	150	675	6x12	305	0	240
MGH4 40/10 - 3	100L4B	50	40	1350	350	288	463	165	573	150	675	6x12	305	0	243
MGH4 40/10 - 4	112M4B	50	40	1350	400	288	463	165	573	150	675	6x16	355	25	254
MGH4 40/10 - 5.5	132S4C	50	40	1400	400	288	463	165	573	150	700	6x16	355	25	265
MGH4 40/10 - 18.5	160L2A	50	40	1550	450	288	463	165	573	150	775	6x16	405	50	329
MGH4 40/10 - 22	180M2A	50	40	1600	450	328	503	165	573	150	800	6x16	400	50	363
MGH4 40/10 - 30	200L2A	50	40	1650	500	348	523	165	573	150	825	6x18	450	75	406
MGH4 40/10 - 37	200L2B	50	40	1650	500	348	523	165	573	150	825	6x18	450	75	425
MGH4 40/10 - 45	225M2A	50	40	1700	550	375	550	165	573	150	850	6x18	500	100	487

Dimensions



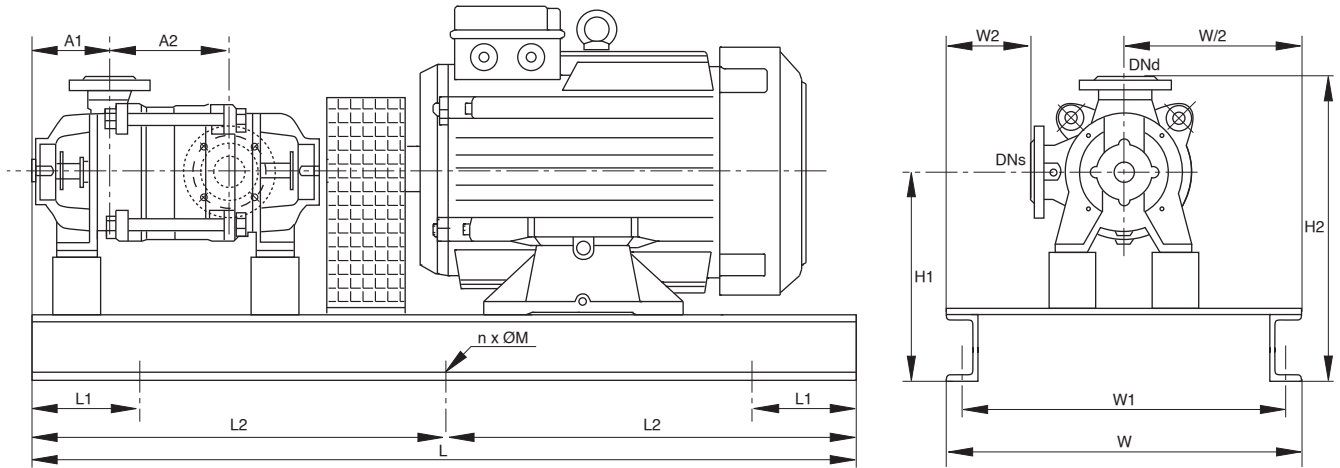
Pump type	Motor	DNs [mm]	DNd [mm]	L [mm]	W [mm]	H1 [mm]	H2 [mm]	A1 [mm]	A2 [mm]	L1 [mm]	L2 [mm]	n X M [nXØmm]	W1 [mm]	W2 [mm]	Weight [kg]
MGH4 40/11 - 3	100L4B	50	40	1400	350	288	463	165	628	150	700	6x16	305	0	255
MGH4 40/11 - 4	112M4B	50	40	1450	400	288	463	165	628	150	725	6x16	355	25	269
MGH4 40/11 - 5.5	132S4C	50	40	1500	400	288	463	165	628	150	750	6x16	355	25	279
MGH4 40/11 - 7.5	132M4B	50	40	1500	400	288	463	165	628	150	750	6x16	355	25	300
MGH 40/11 - 22	180M2A	50	40	1650	450	328	503	165	628	150	825	6x16	400	50	376
MGH 40/11 - 30	200L2A	50	40	1700	500	348	523	165	628	150	850	6x18	450	75	418
MGH 40/11 - 37	200L2B	50	40	1700	500	348	523	165	628	150	850	6x18	450	75	437
MGH 40/11 - 45	225M2A	50	40	1800	550	375	550	165	628	150	900	6x18	500	100	504
MGH4 40/12 - 3	100L4B	50	40	1450	350	288	463	165	683	150	725	6x16	305	0	267
MGH4 40/12 - 4	112M4B	50	40	1500	400	288	463	165	683	150	750	6x16	355	25	281
MGH4 40/12 - 5.5	132S4C	50	40	1550	400	288	463	165	683	150	775	6x16	355	25	291
MGH4 40/12 - 7.5	132M4B	50	40	1550	400	288	463	165	683	150	775	6x16	355	25	312
MGH 40/12 - 22	180M2A	50	40	1700	450	328	503	165	683	150	850	6x16	400	50	388
MGH 40/12 - 30	200L2A	50	40	1750	500	348	523	165	683	150	875	6x18	450	75	431
MGH 40/12 - 37	200L2B	50	40	1750	500	348	523	165	683	150	875	6x18	450	75	450
MGH 40/12 - 45	225M2A	50	40	1850	550	375	550	165	683	150	925	6x18	500	100	517
MGH 40/12 - 55	250M2A	50	40	1900	600	400	575	165	683	150	950	6x18	550	125	557
MGH4 40/13 - 3	100L4B	50	40	1500	350	288	463	165	738	150	750	6x16	305	0	279
MGH4 40/13 - 4	112M4B	50	40	1550	400	288	463	165	738	150	775	6x16	355	25	293
MGH4 40/13 - 5.5	132S4C	50	40	1600	400	288	463	165	738	150	800	6x16	355	25	304
MGH4 40/13 - 7.5	132M4B	50	40	1650	400	288	463	165	738	150	825	6x16	355	25	327
MGH4 50/2 - 1.1	90S4A	65	50	900	400	266	456	175	152	100	-	4x14	360	10	160
MGH4 50/2 - 1.5	90L4A	65	50	900	400	266	456	175	152	100	-	4x14	360	10	162
MGH4 50/2 - 2.2	100L4A	65	50	950	400	266	456	175	152	100	-	4x14	360	10	172
MGH 50/2 - 7.5	132S2C	65	50	1050	400	288	478	175	152	100	-	4x14	355	10	211
MGH 50/2 - 11	160M2A	65	50	1200	450	288	478	175	152	100	-	4x16	405	35	250
MGH 50/2 - 15	160M2B	65	50	1200	450	288	478	175	152	100	-	4x16	405	35	257
MGH4 50/3 - 1.5	90L4A	65	50	950	400	266	456	175	214	100	-	4x14	360	10	177
MGH4 50/3 - 2.2	100L4A	65	50	1000	400	266	456	175	214	100	-	4x14	360	10	187
MGH4 50/3 - 3	100L4B	65	50	1000	400	288	478	175	214	100	-	4x14	355	10	201
MGH 50/3 - 11	160M2A	65	50	1250	450	288	478	175	214	150	625	6x16	405	35	266
MGH 50/3 - 15	160M2B	65	50	1250	450	288	478	175	214	150	625	6x16	405	35	273
MGH 50/3 - 18.5	160L2A	65	50	1250	450	288	478	175	214	150	625	6x16	405	35	288
MGH 50/3 - 22	180M2A	65	50	1300	450	308	498	175	214	150	650	6x16	405	35	314
MGH4 50/4 - 2.2	100L4A	65	50	1050	400	288	478	175	276	100	-	4x14	355	10	213
MGH4 50/4 - 3	100L4B	65	50	1050	400	288	478	175	276	100	-	4x14	355	10	216
MGH4 50/4 - 4	112M4B	65	50	1100	400	288	478	175	276	100	-	4x14	355	10	229
MGH 50/4 - 15	160M2B	65	50	1300	450	288	478	175	276	150	650	6x16	405	35	289
MGH 50/4 - 18.5	160L2A	65	50	1300	450	288	478	175	276	150	650	6x16	405	35	304
MGH 50/4 - 22	180M2A	65	50	1350	450	328	518	175	276	150	675	6x16	400	35	336
MGH 50/4 - 30	200L2A	65	50	1400	500	348	538	175	276	150	700	6x16	450	60	378
MGH4 50/5 - 2.2	100L4A	65	50	1150	400	288	478	175	338	100	-	4x14	355	10	231
MGH4 50/5 - 3	100L4B	65	50	1150	400	288	478	175	338	100	-	4x14	355	10	234
MGH4 50/5 - 4	112M4B	65	50	1150	400	288	478	175	338	100	-	4x14	355	10	245
MGH4 50/5 - 5.5	132S4C	65	50	1200	400	288	478	175	338	100	-	4x16	355	10	255
MGH 50/5 - 18.5	160L2A	65	50	1350	450	288	478	175	338	150	675	6x16	405	35	319
MGH 50/5 - 22	180M2A	65	50	1400	450	328	518	175	338	150	700	6x16	400	35	352
MGH 50/5 - 30	200L2A	65	50	1450	500	348	538	175	338	150	725	6x16	450	60	394
MGH 50/5 - 37	200L2B	65	50	1450	500	348	538	175	338	150	725	6x18	450	60	413

Dimensions



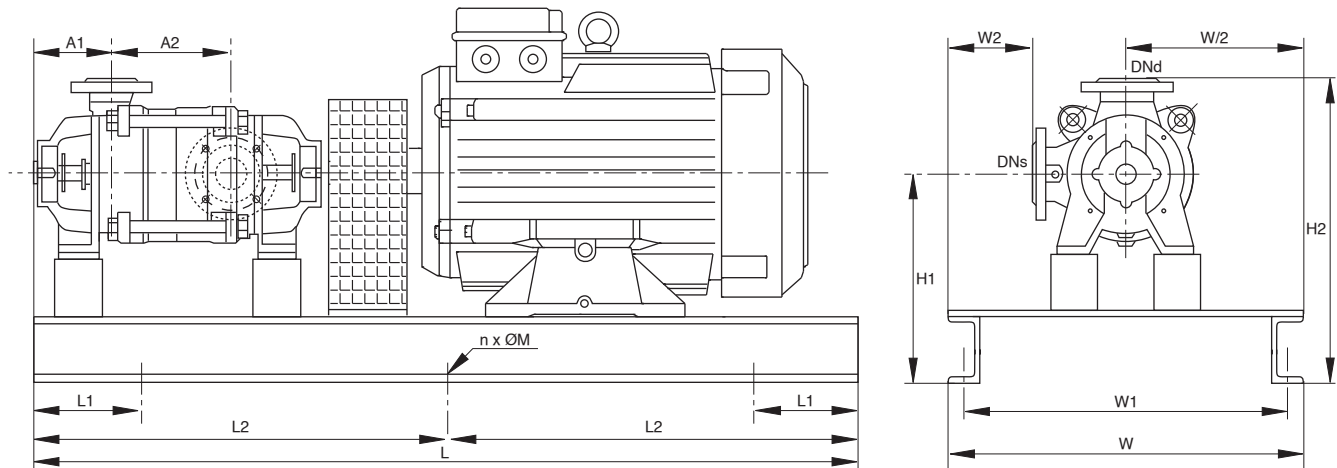
Pump type	Motor	DNs [mm]	DNd [mm]	L [mm]	W [mm]	H1 [mm]	H2 [mm]	A1 [mm]	A2 [mm]	L1 [mm]	L2 [mm]	n X M [nXØmm]	W1 [mm]	W2 [mm]	Weight [kg]
MGH4 50/6 - 3	100L4B	65	50	1200	400	288	478	175	400	100	-	4x16	355	10	250
MGH4 50/6 - 4	112M4B	65	50	1200	400	288	478	175	400	100	-	4x16	355	10	260
MGH4 50/6 - 5.5	132S4C	65	50	1300	400	288	478	175	400	150	650	6x16	355	10	273
MGH4 50/6 - 7.5	132M4B	65	50	1300	400	288	478	175	400	150	650	6x16	355	10	294
MGH 50/6 - 22	180M2A	65	50	1450	450	328	518	175	400	150	725	6x16	400	35	368
MGH 50/6 - 30	200L2A	65	50	1500	500	348	538	175	400	150	750	6x18	450	60	410
MGH 50/6 - 37	200L2B	65	50	1500	500	348	538	175	400	150	750	6x18	450	60	429
MGH 50/6 - 45	225M2A	65	50	1550	550	375	565	175	400	150	775	6x18	500	85	490
MGH4 50/7 - 3	100L4B	65	50	1250	400	288	478	175	462	150	625	6x16	355	10	265
MGH4 50/7 - 4	112M4B	65	50	1300	400	288	478	175	462	150	650	6x16	355	10	278
MGH4 50/7 - 5.5	132S4C	65	50	1350	400	288	478	175	462	150	675	6x16	355	10	289
MGH4 50/7 - 7.5	132M4B	65	50	1400	400	288	478	175	462	150	700	6x16	355	10	313
MGH 50/7 - 30	200L2A	65	50	1550	500	348	538	175	462	150	775	6x18	450	60	426
MGH 50/7 - 37	200L2B	65	50	1550	500	348	538	175	462	150	775	6x18	450	60	445
MGH 50/7 - 45	225M2A	65	50	1650	550	375	565	175	462	150	825	6x18	500	85	510
MGH 50/7 - 55	250M2A	65	50	1700	600	400	590	175	462	150	850	6x18	550	110	549
MGH4 50/8 - 4	112M4B	65	50	1350	400	288	478	175	524	150	675	6x16	355	10	294
MGH4 50/8 - 5.5	132S4C	65	50	1400	400	288	478	175	524	150	700	6x16	355	10	305
MGH4 50/8 - 7.5	132M4B	65	50	1450	400	308	498	175	524	150	725	6x16	350	10	336
MGH4 50/8 - 11	160M4B	65	50	1550	450	308	498	175	524	150	775	6x16	400	35	362
MGH 50/8 - 30	200L2A	65	50	1650	500	348	538	175	524	150	825	6x18	450	60	446
MGH 50/8 - 37	200L2B	65	50	1650	500	350	540	175	524	150	825	6x18	450	60	478
MGH 50/8 - 45	225M2A	65	50	1700	550	375	565	175	524	150	850	6x18	500	85	527
MGH 50/8 - 55	250M2A	65	50	1750	600	400	590	175	524	150	875	6x18	550	110	566
MGH 50/8 - 75	280S2	65	50	1900	650	452	642	175	524	150	950	6x20	595	135	921
MGH4 50/9 - 4/4	112M4B	65	50	1400	400	288	478	175	586	150	700	6x16	355	10	310
MGH4 50/9 - 5.5/4	132S4C	65	50	1450	400	288	478	175	586	150	725	6x16	355	10	320
MGH4 50/9 - 7.5/4	132M4B	65	50	1500	400	308	498	175	586	150	750	6x16	350	10	352
MGH4 50/9 - 11/4	160M4B	65	50	1600	450	308	498	175	586	150	800	6x16	400	35	378
MGH 50/9 - 30/2	200L2A	65	50	1700	500	350	540	175	586	150	850	6x18	450	60	475
MGH 50/9 - 37/2	200L2B	65	50	1700	500	350	540	175	586	150	850	6x18	450	60	494
MGH 50/9 - 45/2	225M2A	65	50	1750	550	375	565	175	586	150	875	6x18	500	85	544
MGH 50/9 - 55/2	250M2A	65	50	1800	600	400	590	175	586	150	900	6x18	550	110	583
MGH 50/9 - 75/2	280S2	65	50	2000	650	452	642	175	586	150	1000	6x20	595	135	944
MGH4 50/10 - 4	112M4B	65	50	1450	400	308	498	175	648	150	725	6x16	350	10	333
MGH4 50/10 - 5.5	132S4C	65	50	1500	400	308	498	175	648	150	750	6x16	350	10	344
MGH4 50/10 - 7.5	132M4B	65	50	1550	400	308	498	175	648	150	775	6x16	350	10	368
MGH4 50/10 - 11	160M4B	65	50	1650	450	308	498	175	648	150	825	6x16	400	35	394
MGH 50/10 - 37	200L2B	65	50	1750	500	350	540	175	648	150	875	6x18	450	60	511
MGH 50/10 - 45	225M2A	65	50	1800	550	375	565	175	648	150	900	6x18	500	85	560
MGH 50/10 - 55	250M2A	65	50	1850	600	420	610	175	648	150	925	6x18	545	110	611
MGH 50/10 - 75	280S2	65	50	2050	650	452	642	175	648	150	1025	6x20	595	135	962
MGH4 50/11 - 5.5	132S4C	65	50	1600	400	308	498	175	710	150	800	6x16	350	10	362
MGH4 50/11 - 7.5	132M4B	65	50	1650	400	308	498	175	710	150	825	6x16	350	10	386
MGH4 50/11 - 11	160M4B	65	50	1750	450	308	498	175	710	150	875	6x18	400	35	413
MGH4 50/12 - 5.5	132S4C	65	50	1650	400	308	498	175	772	150	825	6x16	350	10	378
MGH4 50/12 - 7.5	132M4B	65	50	1700	400	308	498	175	772	150	850	6x18	350	10	402
MGH4 50/12 - 11	160M4B	65	50	1800	450	308	498	175	772	150	900	6x18	400	35	429
MGH4 50/12 - 15	160L4A	65	50	1800	450	308	498	175	772	150	900	6x18	400	35	443

Dimensions



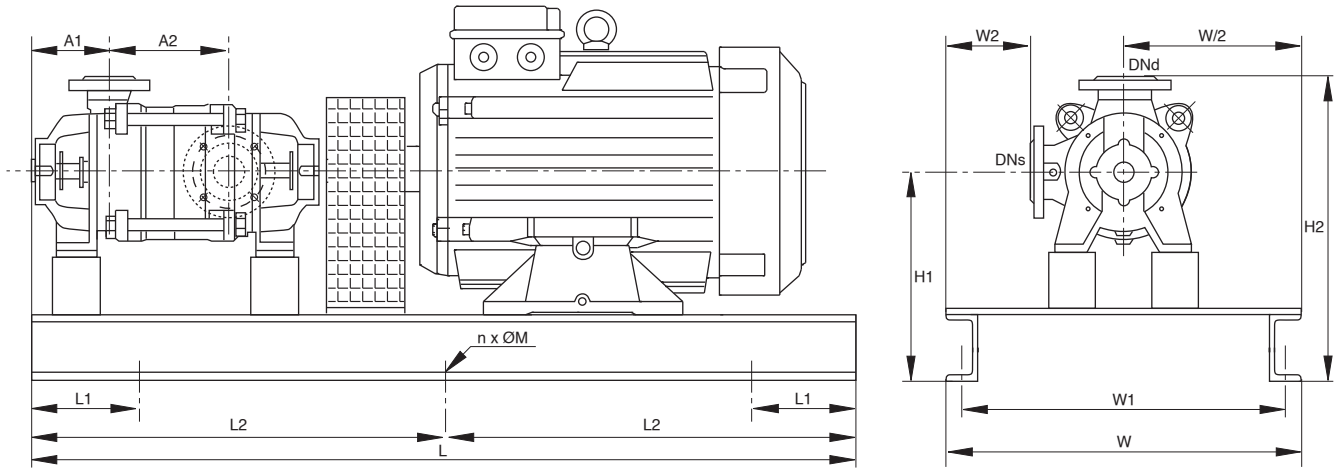
Pump type	Motor	DNs [mm]	DNd [mm]	L [mm]	W [mm]	H1 [mm]	H2 [mm]	A1 [mm]	A2 [mm]	L1 [mm]	L2 [mm]	n x M [nXØmm]	W1 [mm]	W2 [mm]	Weight [kg]
MGH4 65/2 - 2.2	100L4A	80	65	1000	450	308	523	195	178	100	-	4x14	405	10	202
MGH4 65/2 - 3	100L4B	80	65	1000	450	308	523	195	178	100	-	4x14	405	10	205
MGH4 65/2 - 4	112M4B	80	65	1050	450	308	523	195	178	100	-	4x14	405	10	218
MGH 65/2 - 18.5	160L2A	80	65	1250	450	308	523	195	178	150	625	6x16	405	10	292
MGH 65/2 - 22	180M2A	80	65	1300	450	308	523	195	178	150	650	6x16	405	10	318
MGH 65/2 - 30	200L2A	80	65	1300	500	348	563	195	178	150	650	6x16	450	35	362
MGH 65/2 - 37	200L2B	80	65	1300	500	348	563	195	178	150	650	6x16	450	35	381
MGH4 65/3 - 4	112M4B	80	65	1100	450	308	523	195	249	100	-	4x14	405	10	240
MGH4 65/3 - 5.5	132S4C	80	65	1150	450	308	523	195	249	100	-	4x16	405	10	251
MGH4 65/3 - 7.5	132M4B	80	65	1200	450	308	523	195	249	100	-	4x16	405	10	274
MGH 65/3 - 30	200L2A	80	65	1400	500	348	563	195	249	150	700	6x16	450	35	389
MGH 65/3 - 37	200L2B	80	65	1400	500	348	563	195	249	150	700	6x18	450	35	408
MGH 65/3 - 45	225M2A	80	65	1450	550	375	590	195	249	150	725	6x18	500	60	467
MGH 65/3 - 55	250M2A	80	65	1500	600	400	615	195	249	150	750	6x18	550	85	506
MGH4 65/4 - 5.5	132S4C	80	65	1250	450	308	523	195	320	150	625	6x16	405	10	276
MGH4 65/4 - 7.5	132M4B	80	65	1250	450	308	523	195	320	150	625	6x16	405	10	297
MGH4 65/4 - 11	160M4B	80	65	1400	450	308	523	195	320	150	700	6x16	405	10	325
MGH 65/4 - 37	200L2B	80	65	1450	500	348	563	195	320	150	725	6x18	450	35	431
MGH 65/4 - 45	225M2A	80	65	1550	550	375	590	195	320	150	775	6x18	500	60	495
MGH 65/4 - 55	250M2A	80	65	1600	600	400	615	195	320	150	800	6x18	550	85	534
MGH 65/4 - 75	280S2	80	65	1750	650	452	667	195	320	150	875	6x20	595	110	885
MGH4 65/5 - 5.5	132S4C	80	65	1300	450	308	523	195	391	150	650	6x16	405	10	298
MGH4 65/5 - 7.5	132M4B	80	65	1350	450	328	543	195	391	150	675	6x16	400	10	329
MGH4 65/5 - 11	160M4B	80	65	1450	450	328	543	195	391	150	725	6x16	400	10	355
MGH 65/5 - 45	225M2A	80	65	1600	550	375	590	195	391	150	800	6x18	500	60	518
MGH 65/5 - 55	250M2A	80	65	1650	600	400	615	195	391	150	825	6x18	550	85	558
MGH 65/5 - 75	280S2	80	65	1800	650	452	667	195	391	150	900	6x20	595	110	910
MGH 65/5 - 90	280M2	80	65	1900	650	452	667	195	391	150	950	6x20	595	110	970
MGH4 65/6 - 7.5	132M4B	80	65	1400	450	328	543	195	462	150	700	6x16	400	10	352
MGH4 65/6 - 11	160M4B	80	65	1500	450	328	543	195	462	150	750	6x16	400	10	378
MGH4 65/6 - 15	160L4A	80	65	1500	450	328	543	195	462	150	750	6x16	400	10	392
MGH 65/6 - 55	250M2A	80	65	1700	600	400	615	195	462	150	850	6x18	550	85	581
MGH 65/6 - 75	280S2	80	65	1900	650	452	667	195	462	150	950	6x20	595	110	940
MGH 65/6 - 90	280M2	80	65	1950	650	472	687	195	462	150	975	6x20	590	110	1007
MGH 65/6 - 110	315S2	80	65	2000	700	507	722	195	462	150	1000	6x20	640	135	1219
MGH4 65/7 - 7.5	132M4B	80	65	1500	450	328	543	195	533	150	750	6x16	400	10	378
MGH4 65/7 - 11	160M4B	80	65	1600	450	328	543	195	533	150	800	6x18	400	10	404
MGH4 65/7 - 15	160L4A	80	65	1600	450	328	543	195	533	150	800	6x18	400	10	418
MGH 65/7 - 75	280S2	80	65	1950	650	452	667	195	533	150	975	6x20	595	110	965
MGH 65/7 - 90	280M2	80	65	2000	650	472	687	195	533	150	1000	6x20	590	110	1032
MGH 65/7 - 110	315S2	80	65	2100	700	507	722	195	533	150	1050	6x20	640	135	1250
MGH4 65/8 - 11	160M4B	80	65	1650	450	328	543	195	604	150	825	6x18	400	10	427
MGH4 65/8 - 15	160L4A	80	65	1650	450	328	543	195	604	150	825	6x18	400	10	441
MGH4 65/8 - 18.5	180M4B	80	65	1700	450	330	545	195	604	150	850	6x18	400	10	485
MGH 65/8 - 75	280S2	80	65	2050	650	452	667	195	604	150	1025	6x20	595	110	995
MGH 65/8 - 90	280M2	80	65	2100	650	472	687	195	604	150	1050	6x20	590	110	1063
MGH 65/8 - 110	315S2	80	65	2150	700	507	722	195	604	150	1075	6x24	640	135	1275
MGH 65/8 - 132	315M2A	80	65	2200	700	507	722	195	604	150	1100	6x24	640	135	1389

Dimensions



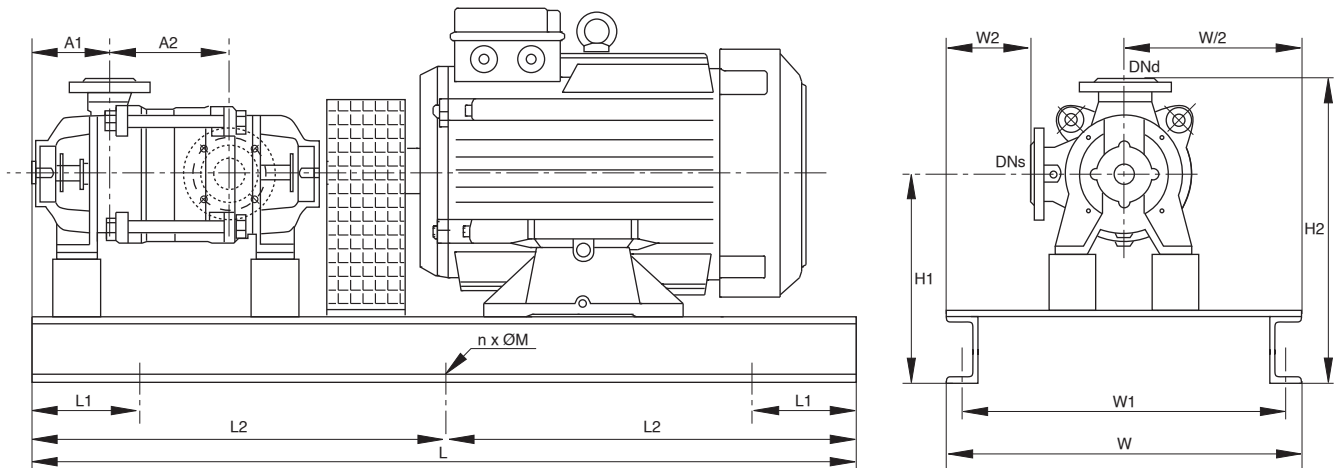
Pump type	Motor	DNs [mm]	DNd [mm]	L [mm]	W [mm]	H1 [mm]	H2 [mm]	A1 [mm]	A2 [mm]	L1 [mm]	L2 [mm]	n X M [nXØmm]	W1 [mm]	W2 [mm]	Weight [kg]
MGH4 65/9 - 11	160M4B	80	65	1750	450	328	543	195	675	150	875	6x18	400	10	453
MGH4 65/9 - 15	160L4A	80	65	1750	450	330	545	195	675	150	875	6x18	400	10	480
MGH4 65/9 - 18.5	180M4B	80	65	1800	450	330	545	195	675	150	900	6x18	400	10	512
MGH 65/9 - 90	280M2	80	65	2150	650	472	687	195	675	150	1075	6x20	590	110	1088
MGH 65/9 - 110	315S2	80	65	2250	700	507	722	195	675	150	1125	6x24	640	135	1306
MGH 65/9 - 132	315M2A	80	65	2300	700	507	722	195	675	150	1150	6x24	640	135	1420
MGH 65/9 - 160	315M2B	80	65	2300	750	527	742	195	675	150	1150	6x24	690	160	1571
MGH4 65/10 - 11	160M4B	80	65	1800	450	330	545	195	746	150	900	6x18	400	10	489
MGH4 65/10 - 15	160L4A	80	65	1800	450	330	545	195	746	150	900	6x18	400	10	503
MGH4 65/10 - 18.5	180M4B	80	65	1850	450	330	545	195	746	150	925	6x18	400	10	536
MGH4 65/10 - 22	180L4B	80	65	1850	450	330	545	195	746	150	925	6x18	400	10	544
MGH 65/10 - 90	280M2	80	65	2250	650	472	687	195	746	150	1125	6x20	590	110	1119
MGH 65/10 - 110	315S2	80	65	2300	700	507	722	195	746	150	1150	6x24	640	135	1332
MGH 65/10 - 132	315M2A	80	65	2350	700	507	722	195	746	150	1175	6x24	640	135	1445
MGH 65/10 - 160	315M2B	80	65	2350	750	527	742	195	746	150	1175	6x24	690	160	1597
MGH4 65/11 - 15	160L4A	80	65	1900	450	330	545	195	817	150	950	6x18	400	10	530
MGH4 65/11 - 18.5	180M4B	80	65	1900	450	330	545	195	817	150	950	6x18	400	10	559
MGH4 65/11 - 22	180L4B	80	65	1900	450	330	545	195	817	150	950	6x18	400	10	567
MGH4 80/2 - 4	112M4B	100	80	1150	550	338	603	250	195	100	-	4x16	505	10	274
MGH4 80/2 - 5.5	132S4C	100	80	1200	550	338	603	250	195	100	-	4x16	505	10	285
MGH4 80/2 - 7.5	132M4B	100	80	1250	550	338	603	250	195	150	625	6x16	505	10	309
MGH4 80/2 - 11	160M4B	100	80	1350	550	358	623	250	195	150	675	6x16	500	10	337
MGH 80/2 - 30	200L2A	100	80	1450	550	358	623	250	195	150	725	6x18	500	10	420
MGH 80/2 - 37	200L2B	100	80	1450	550	358	623	250	195	150	725	6x18	500	10	439
MGH 80/2 - 45	225M2A	100	80	1500	550	375	640	250	195	150	750	6x18	500	10	499
MGH 80/2 - 55	250M2A	100	80	1550	600	400	665	250	195	150	775	6x18	550	35	538
MGH 80/2 - 75	280S2	100	80	1750	650	452	717	250	195	150	875	6x20	595	60	893
MGH4 80/3 - 5.5	132S4C	100	80	1300	550	338	603	250	278	150	650	6x16	505	10	317
MGH4 80/3 - 7.5	132M4B	100	80	1350	550	358	623	250	278	150	675	6x16	500	10	347
MGH4 80/3 - 11	160M4B	100	80	1450	550	358	623	250	278	150	725	6x16	500	10	369
MGH4 80/3 - 15	160L4A	100	80	1450	550	358	623	250	278	150	725	6x16	500	10	383
MGH 80/3 - 45	225M2A	100	80	1600	550	375	640	250	278	150	800	6x18	500	10	532
MGH 80/3 - 55	250M2A	100	80	1650	600	400	665	250	278	150	825	6x18	550	35	572
MGH 80/3 - 75	280S2	100	80	1800	650	452	717	250	278	150	900	6x20	595	60	924
MGH 80/3 - 90	280M2	100	80	1850	650	452	717	250	278	150	925	6x20	595	60	979
MGH4 80/4 - 7.5	132M4B	100	80	1400	550	358	623	250	361	150	700	6x16	500	10	376
MGH4 80/4 - 11	160M4B	100	80	1550	550	358	623	250	361	150	775	6x18	500	10	401
MGH4 80/4 - 15	160L4A	100	80	1550	550	358	623	250	361	150	775	6x18	500	10	415
MGH4 80/4 - 18.5	180M4B	100	80	1550	550	360	625	250	361	150	775	6x18	500	10	455
MGH 80/4 - 75	280S2	100	80	1900	650	452	717	250	361	150	950	6x20	595	60	960
MGH 80/4 - 90	280M2	100	80	1950	650	472	737	250	361	150	975	6x20	590	60	1027
MGH 80/4 - 110	315S2	100	80	2000	700	507	772	250	361	150	1000	6x20	640	85	1239
MGH 80/4 - 132	315M2A	100	80	2050	700	507	772	250	361	150	1025	6x24	640	85	1352

Dimensions



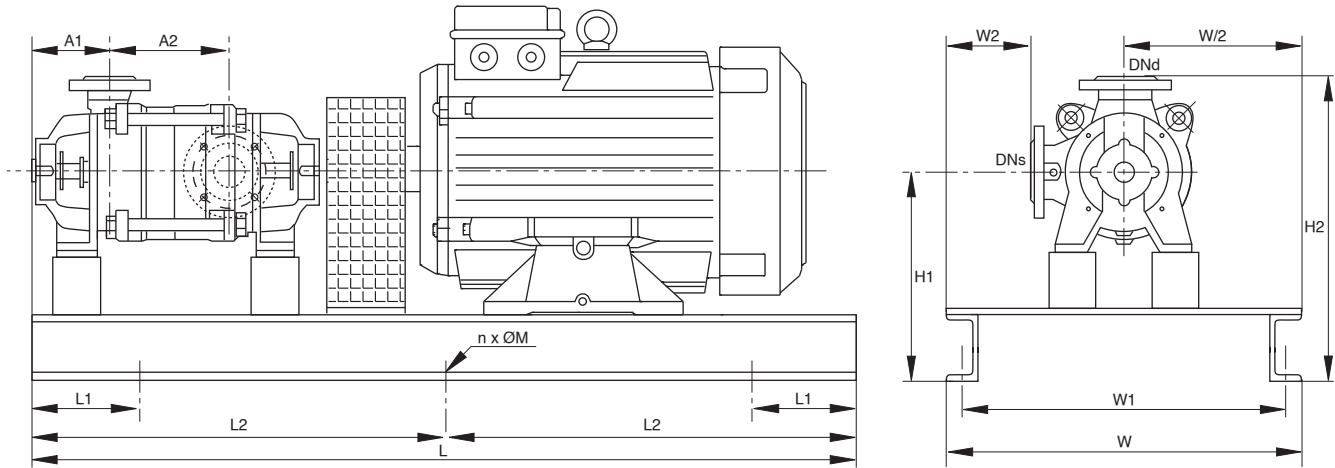
Pump type	Motor	DNs [mm]	DNd [mm]	L [mm]	W [mm]	H1 [mm]	H2 [mm]	A1 [mm]	A2 [mm]	L1 [mm]	L2 [mm]	n x M [nXØmm]	W1 [mm]	W2 [mm]	Weight [kg]
MGH4 80/5 - 11	160M4B	100	80	1600	550	358	623	250	444	150	800	6x18	500	10	430
MGH4 80/5 - 15	160L4A	100	80	1600	550	358	623	250	444	150	800	6x18	500	10	444
MGH4 80/5 - 18.5	180M4B	100	80	1650	550	360	625	250	444	150	825	6x18	500	10	488
MGH4 80/5 - 22	180L4B	100	80	1650	550	360	625	250	444	150	825	6x18	500	10	496
MGH 80/5 - 75	280S2	100	80	2000	650	452	717	250	444	150	1000	6x20	595	60	996
MGH 80/5 - 90	280M2	100	80	2050	650	472	737	250	444	150	1025	6x20	590	60	1064
MGH 80/5 - 110	315S2	100	80	2100	700	507	772	250	444	150	1050	6x24	640	85	1276
MGH 80/5 - 132	315M2A	100	80	2150	700	507	772	250	444	150	1075	6x24	640	85	1389
MGH 80/5 - 160	315M2B	100	80	2150	750	527	792	250	444	150	1075	6x24	690	110	1539
MGH4 80/6 - 11	160M4B	100	80	1700	550	360	625	250	527	150	850	6x18	500	10	474
MGH4 80/6 - 15	160L4A	100	80	1700	550	360	625	250	527	150	850	6x18	500	10	488
MGH4 80/6 - 18.5	180M4B	100	80	1750	550	360	625	250	527	150	875	6x18	500	10	521
MGH4 80/6 - 22	180L4B	100	80	1750	550	360	625	250	527	150	875	6x18	500	10	529
MGH4 80/6 - 30	200L4C	100	80	1750	550	380	645	250	527	150	875	6x18	495	10	594
MGH 80/6 - 90	280M2	100	80	2100	650	472	737	250	527	150	1050	6x20	590	60	1095
MGH 80/6 - 110	315S2	100	80	2200	700	507	772	250	527	150	1100	6x24	640	85	1313
MGH 80/6 - 132	315M2A	100	80	2250	700	507	772	250	527	150	1125	6x24	640	85	1426
MGH 80/6 - 160	315M2B	100	80	2250	750	527	792	250	527	150	1125	6x24	690	110	1577
MGH 80/6 - 185	315L2A	100	80	2350	750	527	792	250	527	150	1175	6x24	690	110	1689
MGH4 80/7 - 15	160L4A	100	80	1800	550	360	625	250	610	150	900	6x18	500	10	521
MGH4 80/7 - 18.5	180M4B	100	80	1800	550	360	625	250	610	150	900	6x18	500	10	550
MGH4 80/7 - 22	180L4B	100	80	1800	550	360	625	250	610	150	900	6x18	500	10	558
MGH4 80/7 - 30	200L4C	100	80	1850	550	380	645	250	610	150	925	6x18	495	10	628
MGH4 80/8 - 15	160L4A	100	80	1850	550	360	625	250	693	150	925	6x18	500	10	551
MGH4 80/8 - 18.5	180M4B	100	80	1900	550	380	645	250	693	150	950	6x18	495	10	601
MGH4 80/8 - 22	180L4B	100	80	1900	550	380	645	250	693	150	950	6x18	495	10	609
MGH4 80/8 - 30	200L4C	100	80	1950	550	380	645	250	693	150	975	6x18	495	10	662
MGH4 80/8 - 37	225S4A	100	80	2050	550	395	660	250	693	150	1025	6x20	495	10	725
MGH4 80/8 - 45	225M4C	100	80	2050	550	395	660	250	693	150	1025	6x20	495	10	762
MGH4 80/9 - 18.5	180M4B	100	80	2000	550	380	645	250	776	150	1000	6x18	495	10	635
MGH4 80/9 - 22	180L4B	100	80	2000	550	380	645	250	776	150	1000	6x18	495	10	643
MGH4 80/9 - 30	200L4C	100	80	2000	550	380	645	250	776	150	1000	6x18	495	10	692
MGH4 80/9 - 37	225S4A	100	80	2100	550	395	660	250	776	150	1050	6x20	495	10	755
MGH4 80/9 - 45	225M4C	100	80	2100	550	395	660	250	776	150	1050	6x20	495	10	792
MGH4 80/10 - 18.5	180M4B	100	80	2050	550	380	645	250	859	150	1025	6x18	495	10	665
MGH4 80/10 - 22	180L4B	100	80	2050	550	380	645	250	859	150	1025	6x18	495	10	673
MGH4 80/10 - 30	200L4C	100	80	2100	550	380	645	250	859	150	1050	6x20	495	10	725
MGH4 80/10 - 37	225S4A	100	80	2200	550	395	660	250	859	150	1100	6x20	495	10	789
MGH4 80/10 - 45	225M4C	100	80	2200	550	395	660	250	859	150	1100	6x20	495	10	826
MGH4 80/11 - 22	180L4B	100	80	2250	550	380	645	325	942	150	1125	6x20	495	10	714
MGH4 80/11 - 30	200L4C	100	80	2250	550	380	645	325	942	150	1125	6x20	495	10	763
MGH4 80/11 - 37	225S4A	100	80	2350	550	395	660	325	942	150	1175	6x20	495	10	827
MGH4 80/11 - 45	225M4C	100	80	2350	550	397	662	325	942	150	1175	6x20	495	10	884
MGH4 80/12 - 22	180L4B	100	80	2300	550	380	645	325	1025	150	1150	6x20	495	10	744
MGH4 80/12 - 30	200L4C	100	80	2350	550	380	645	325	1025	150	1175	6x20	495	10	797
MGH4 80/12 - 37	225S4A	100	80	2450	550	397	662	325	1025	150	1225	6x20	495	10	882
MGH4 80/12 - 45	225M4C	100	80	2450	550	397	662	325	1025	150	1225	6x20	495	10	919
MGH4 80/12 - 55	250M4C	100	80	2450	600	422	687	325	1025	150	1225	6x20	545	35	951

Dimensions



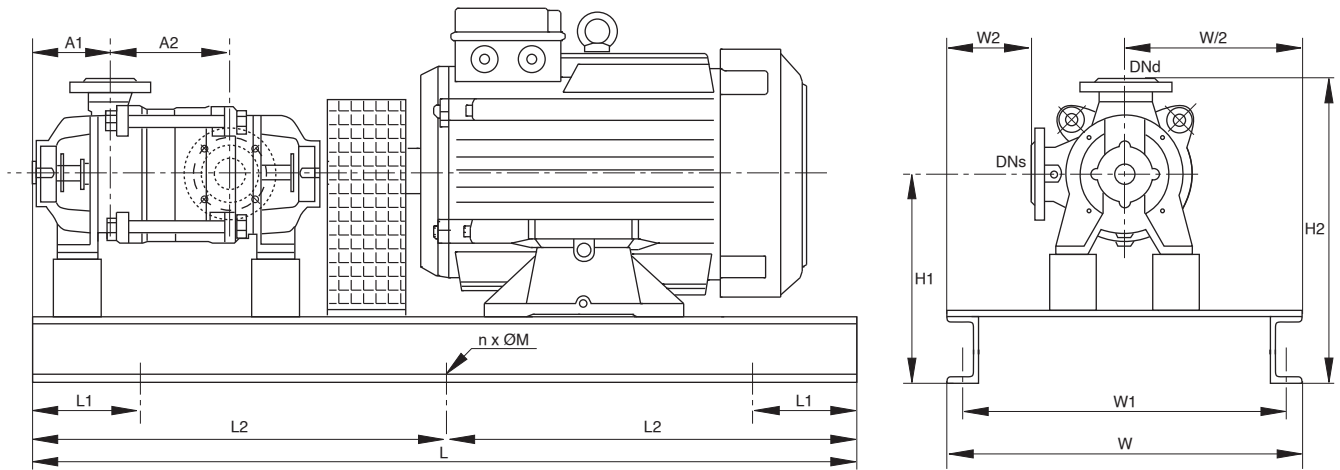
Pump type	Motor	DNs [mm]	DNd [mm]	L [mm]	W [mm]	H1 [mm]	H2 [mm]	A1 [mm]	A2 [mm]	L1 [mm]	L2 [mm]	n X M [nXØmm]	W1 [mm]	W2 [mm]	Weight [kg]
MGH4 80/13 - 30	200L4C	100	80	2450	550	380	645	325	1108	150	1225	6x20	495	10	830
MGH4 80/13 - 37	225S4A	100	80	2550	550	397	662	325	1108	150	1275	6x20	495	10	917
MGH4 80/13 - 45	225M4C	100	80	2550	550	397	662	325	1108	150	1275	6x20	495	10	954
MGH4 80/13 - 55	250M4C	100	80	2550	600	422	687	325	1108	150	1275	6x20	545	35	986
MGH4 80/14 - 30	200L4C	100	80	2500	550	382	647	325	1191	150	1250	6x20	495	10	880
MGH4 80/14 - 37	225S4A	100	80	2600	550	397	662	325	1191	150	1300	6x20	495	10	947
MGH4 80/14 - 45	225M4C	100	80	2600	550	397	662	325	1191	150	1300	6x20	495	10	984
MGH4 80/14 - 55	250M4C	100	80	2650	600	422	687	325	1191	150	1325	6x20	545	35	1021
MGH4 80/14 - 75	280S4	100	80	2800	650	472	737	325	1191	150	1400	6x24	590	60	1317
MGH4 80/15 - 30	200L4C	100	80	2600	550	382	647	325	1274	150	1300	6x20	495	10	914
MGH4 80/15 - 37	225S4A	100	80	2700	550	397	662	325	1274	150	1350	6x20	495	10	982
MGH4 80/15 - 45	225M4C	100	80	2700	550	397	662	325	1274	150	1350	6x20	495	10	1019
MGH4 80/15 - 55	250M4C	100	80	2700	600	422	687	325	1274	150	1350	6x20	545	35	1052
MGH4 80/15 - 75	280S4	100	80	2900	650	472	737	325	1274	150	1450	6x24	590	60	1353
MGH4 100/2 - 15	160L4A	125	100	1500	600	400	700	285	233	150	750	6x18	550	0	458
MGH4 100/2 - 18.5	180M4B	125	100	1550	600	400	700	285	233	150	775	6x18	550	0	490
MGH4 100/2 - 22	180L4B	125	100	1550	600	400	700	285	233	150	775	6x18	550	0	498
MGH4 100/2 - 30	200L4C	125	100	1600	600	400	700	285	233	150	800	6x18	550	0	551
MGH4 100/3 - 22	180L4B	125	100	1650	600	400	700	285	333	150	825	6x18	550	0	548
MGH4 100/3 - 30	200L4C	125	100	1700	600	420	720	285	333	150	850	6x18	545	0	610
MGH4 100/3 - 37	225S4A	125	100	1800	600	420	720	285	333	150	900	6x18	545	0	671
MGH4 100/4 - 30	200L4C	125	100	1800	600	420	720	285	433	150	900	6x18	545	0	659
MGH4 100/4 - 37	225S4A	125	100	1900	600	420	720	285	433	150	950	6x20	545	0	721
MGH4 100/4 - 45	225M4C	125	100	1900	600	420	720	285	433	150	950	6x20	545	0	758
MGH4 100/4 - 55	250M4C	125	100	1900	600	420	720	285	433	150	950	6x20	545	0	786
MGH4 100/5 - 37	225S4A	125	100	2000	600	420	720	285	533	150	1000	6x20	545	0	772
MGH4 100/5 - 45	225M4C	125	100	2000	600	420	720	285	533	150	1000	6x20	545	0	809
MGH4 100/5 - 55	250M4C	125	100	2000	600	422	722	285	533	150	1000	6x20	545	0	855
MGH4 100/5 - 75	280S4	125	100	2150	650	472	772	285	533	150	1075	6x20	590	25	1143
MGH4 100/6 - 45	225M4C	125	100	2100	600	422	722	285	633	150	1050	6x20	545	0	877
MGH4 100/6 - 55	250M4C	125	100	2100	600	422	722	285	633	150	1050	6x20	545	0	907
MGH4 100/6 - 75	280S4	125	100	2250	650	472	772	285	633	150	1125	6x20	590	25	1196
MGH4 100/7 - 45	225M4C	125	100	2200	600	422	722	285	733	150	1100	6x20	545	0	928
MGH4 100/7 - 55	250M4C	125	100	2200	600	422	722	285	733	150	1100	6x20	545	0	958
MGH4 100/7 - 75	280S4	125	100	2350	650	472	772	285	733	150	1175	6x20	590	25	1248
MGH4 100/7 - 90	280M4	125	100	2450	650	472	772	285	733	150	1225	6x24	590	25	1339
MGH4 100/8 - 55	250M4C	125	100	2300	600	422	722	285	833	150	1150	6x20	545	0	1009
MGH4 100/8 - 75	280S4	125	100	2450	650	472	772	285	833	150	1225	6x24	590	25	1301
MGH4 100/8 - 90	280M4	125	100	2550	650	472	772	285	833	150	1275	6x24	590	25	1391
MGH4 100/8 - 110	315S4	125	100	2600	750	527	827	285	833	150	1300	6x24	690	75	1598
MGH4 100/9 - 75	280S4	125	100	2650	650	472	772	370	933	150	1325	6x24	590	25	1364
MGH4 100/9 - 90	280M4	125	100	2700	650	472	772	370	933	150	1350	6x24	590	25	1449
MGH4 100/9 - 110	315S4	125	100	2800	750	527	827	370	933	150	1400	6x24	690	75	1665
MGH4 100/10 - 75	280S4	125	100	2750	650	472	772	370	1033	150	1375	6x24	590	25	1416
MGH4 100/10 - 90	280M4	125	100	2800	650	472	772	370	1033	150	1400	6x24	590	25	1502
MGH4 100/10 - 110	315S4	125	100	2900	750	527	827	370	1033	150	1450	6x24	690	75	1719
MGH4 100/10 - 132	315M4A	125	100	2950	750	527	827	370	1033	150	1475	6x24	690	75	1845

Dimensions



Pump type	Motor	DNs [mm]	DNd [mm]	L [mm]	W [mm]	H1 [mm]	H2 [mm]	A1 [mm]	A2 [mm]	L1 [mm]	L2 [mm]	n X M [nXØmm]	W1 [mm]	W2 [mm]	Weight [kg]
MGH4 100/11 - 75	280S4	125	100	2850	650	472	772	370	1133	150	1425	6x24	590	25	1469
MGH4 100/11 - 90	280M4	125	100	2900	650	472	772	370	1133	150	1450	6x24	590	25	1554
MGH4 100/11 - 110	315S4	125	100	3000	750	527	827	370	1133	150	1500	6x24	690	75	1773
MGH4 100/11 - 132	315M4A	125	100	3050	750	527	827	370	1133	150	1525	6x24	690	75	1899
MGH4 100/12 - 90	280M4	125	100	3000	700	492	792	370	1233	150	1500	6x24	640	50	1641
MGH4 100/12 - 110	315S4	125	100	3100	750	527	827	370	1233	150	1550	6x24	690	75	1827
MGH4 100/12 - 132	315M4A	125	100	3150	750	527	827	370	1233	150	1575	6x24	690	75	1953
MGH4 100/12 - 160	315M4B	125	100	3150	750	527	827	370	1233	150	1575	6x24	690	75	2078
MGH4 100/13 - 90	280M4	125	100	3100	700	492	792	370	1333	150	1550	6x24	640	50	1694
MGH4 100/13 - 110	315S4	125	100	3200	750	527	827	370	1333	150	1600	6x24	690	75	1881
MGH4 100/13 - 132	315M4A	125	100	3250	750	527	827	370	1333	150	1625	6x24	690	75	2007
MGH4 100/13 - 160	315M4B	125	100	3250	750	527	827	370	1333	150	1625	6x24	690	75	2132
MGH4 100/14 - 90	280M4	125	100	3200	700	492	792	370	1433	150	1600	6x24	640	50	1748
MGH4 100/14 - 110	315S4	125	100	3300	750	527	827	370	1433	150	1650	6x24	690	75	1935
MGH4 100/14 - 132	315M4A	125	100	3350	750	527	827	370	1433	150	1675	6x24	690	75	2061
MGH4 100/14 - 160	315M4B	125	100	3350	750	527	827	370	1433	150	1675	6x24	690	75	2186
MGH4 100/14 - 185	315L4A	125	100	3450	750	527	827	370	1433	150	1725	6x24	690	75	2298
MGH4 100/15 - 110	315S4	125	100	3400	750	527	827	370	1533	150	1700	6x24	690	75	1989
MGH4 100/15 - 132	315M4A	125	100	3450	750	527	827	370	1533	150	1725	6x24	690	75	2115
MGH4 100/15 - 160	315M4B	125	100	3450	750	527	827	370	1533	150	1725	6x24	690	75	2240
MGH4 100/15 - 185	315L4A	125	100	3550	750	527	827	370	1533	150	1775	6x24	690	75	2352
MGH4 125/2 - 37	225S4A	150	125	1750	750	472	847	300	280	150	875	6x20	695	0	868
MGH4 125/2 - 45	225M4C	150	125	1750	750	472	847	300	280	150	875	6x20	695	0	905
MGH4 125/2 - 55	225M4C	150	125	1800	750	472	847	300	280	150	900	6x20	695	0	929
MGH4 125/3 - 55	250M4C	150	125	1900	750	492	867	300	395	150	950	6x20	690	0	1026
MGH4 125/3 - 75	280S4	150	125	2050	750	492	867	300	395	150	1025	6x24	690	0	1301
MGH4 125/4 - 75	280S4	150	125	2200	750	492	867	300	510	150	1100	6x24	690	0	1392
MGH4 125/4 - 90	280M4	150	125	2250	750	492	867	300	510	150	1125	6x24	690	0	1477
MGH4 125/4 - 110	315S4	150	125	2350	750	527	902	300	510	150	1175	6x24	690	0	1685
MGH4 125/5 - 90	280M4	150	125	2350	750	512	887	300	625	150	1175	6x24	690	0	1589
MGH4 125/5 - 110	315S4	150	125	2450	750	527	902	300	625	150	1225	6x24	690	0	1772
MGH4 125/5 - 132	315M4A	150	125	2500	750	527	902	300	625	150	1250	6x24	690	0	1898
MGH4 125/6 - 110	315S4	150	125	2550	750	527	902	300	740	150	1275	6x24	690	0	1859
MGH4 125/6 - 132	315M4A	150	125	2600	750	527	902	300	740	150	1300	6x24	690	0	1985
MGH4 125/6 - 160	315M4B	150	125	2600	750	527	902	300	740	150	1300	6x24	690	0	2110
MGH4 125/7 - 132	315M4A	150	125	2800	750	527	902	375	855	150	1400	6x24	690	0	2085
MGH4 125/7 - 160	315M4B	150	125	2800	750	527	902	375	855	150	1400	6x24	690	0	2210
MGH4 125/7 - 185	315L4A	150	125	2900	750	527	902	375	855	150	1450	6x24	690	0	2322
MGH 125/8 - 160	315M4B	150	125	2950	750	527	902	375	970	150	1475	6x24	690	0	2303
MGH 125/8 - 185	315L4A	150	125	3000	750	527	902	375	970	150	1500	6x24	690	0	2409
MGH 125/8 - 200	315L4B	150	125	3000	750	527	902	375	970	150	1500	6x24	690	0	2459
MGH4 125/9 - 160	315M4B	150	125	3050	750	527	902	375	1085	150	1525	6x24	690	0	2390
MGH4 125/9 - 185	315L4A	150	125	3150	750	527	902	375	1085	150	1575	6x24	690	0	2502
MGH4 125/9 - 200	315L4B	150	125	3150	750	527	902	375	1085	150	1575	6x24	690	0	2552
MGH4 125/9 - 250	355M4A	150	125	3250	850	567	942	375	1085	150	1625	6x24	790	50	2880
MGH4 125/10 - 185	315L4A	150	125	3250	750	527	902	375	1200	150	1625	6x24	690	0	2589
MGH4 125/10 - 200	315L4B	150	125	3250	750	527	902	375	1200	150	1625	6x24	690	0	2639
MGH4 125/10 - 250	355M4A	150	125	3350	850	567	942	375	1200	150	1675	6x24	790	50	2968

Dimensions



Pump type	Motor	DNs [mm]	DNd [mm]	L [mm]	W [mm]	H1 [mm]	H2 [mm]	A1 [mm]	A2 [mm]	L1 [mm]	L2 [mm]	n X M [nXØmm]	W1 [mm]	W2 [mm]	Weight [kg]
MGH4 125/11 - 200	315L4B	150	125	3350	750	527	902	375	1315	150	1675	6x24	690	0	2726
MGH4 125/11 - 250	355M4A	150	125	3500	850	567	942	375	1315	150	1750	6x24	790	50	3062
MGH4 125/11 - 315	355M4B	150	125	3500	850	567	942	375	1315	150	1750	6x24	790	50	3269
MGH4 125/12 - 250	355M4A	150	125	3600	850	567	942	375	1430	150	1800	6x24	790	50	3150
MGH4 125/12 - 315	355M4B	150	125	3600	850	567	942	375	1430	150	1800	6x24	790	50	3357
MGH4 150/2 - 75	280S4	200	150	2200	850	562	987	360	363	150	1100	6x24	790	0	1606
MGH4 150/2 - 90	280M4	200	150	2250	850	562	987	360	363	150	1125	6x24	790	0	1692
MGH4 150/2 - 110	315S4	200	150	2350	850	562	987	360	363	150	1175	6x24	790	0	1875
MGH4 150/2 - 132	315M4A	200	150	2400	850	562	987	360	363	150	1200	6x24	790	0	2001
MGH4 150/3 - 90	280M4	200	150	2350	850	562	987	360	508	150	1175	6x24	790	0	1824
MGH4 150/3 - 110	315S4	200	150	2450	850	562	987	360	508	150	1225	6x24	790	0	2007
MGH4 150/3 - 132	315M4A	200	150	2500	850	562	987	360	508	150	1250	6x24	790	0	2133
MGH4 150/3 - 160	315M4B	200	150	2500	850	562	987	360	508	150	1250	6x24	790	0	2258
MGH4 150/3 - 185	315L4A	200	150	2600	850	562	987	360	508	150	1300	6x24	790	0	2370
MGH4 150/4 - 132	315M4A	200	150	2650	850	562	987	360	653	150	1325	6x24	790	0	2271
MGH4 150/4 - 160	315M4B	200	150	2650	850	562	987	360	653	150	1325	6x24	790	0	2396
MGH4 150/4 - 185	315L4A	200	150	2750	850	562	987	360	653	150	1375	6x24	790	0	2508
MGH4 150/4 - 200	315L4B	200	150	2750	850	562	987	360	653	150	1375	6x24	790	0	2558
MGH4 150/4 - 250	355M4A	200	150	2900	850	567	992	360	653	150	1450	6x24	790	0	2889
MGH4 150/5 - 160	315M4B	200	150	2800	850	562	987	360	798	150	1400	6x24	790	0	2535
MGH4 150/5 - 185	315L4A	200	150	2900	850	562	987	360	798	150	1450	6x24	790	0	2647
MGH4 150/5 - 200	315L4B	200	150	2900	850	562	987	360	798	150	1450	6x24	790	0	2697
MGH4 150/5 - 250	355M4A	200	150	3000	850	567	992	360	798	150	1500	6x24	790	0	3022
MGH4 150/5 - 315	355M4B	200	150	3000	850	567	992	360	798	150	1500	6x24	790	0	3229
MGH4 150/6 - 185	315L4A	200	150	3150	850	562	987	460	943	150	1575	6x24	790	0	2797
MGH4 150/6 - 200	315L4B	200	150	3150	850	562	987	460	943	150	1575	6x24	790	0	2847
MGH4 150/6 - 250	355M4A	200	150	3250	850	567	992	460	943	150	1625	6x24	790	0	3175
MGH4 150/6 - 315	355M4B	200	150	3250	850	567	992	460	943	150	1625	6x24	790	0	3382
MGH4 150/7 - 250	355M4A	200	150	3400	850	567	992	460	1088	150	1700	6x24	790	0	3314
MGH4 150/8 - 250	355M4A	200	150	3550	850	567	992	460	1233	150	1775	6x24	790	0	3454
MGH4 150/9 - 315	355M4B	200	150	3700	850	567	992	460	1378	150	1850	6x24	790	0	3800
MGH4 150/10 - 315	355M4B	200	150	3850	850	567	992	460	1523	150	1925	6x24	790	0	3940
MGH4 200/2 - 250	355M4A	250	200	2700	1000	612	1112	385	437	150	1350	6x24	940	0	3123
MGH4 200/2 - 315	355M4B	250	200	2700	1000	612	1112	385	437	150	1350	6x24	940	0	3330
MGH4 200/3 - 350	355M4C	250	200	2900	1000	612	1112	385	607	150	1450	6x24	940	0	3699

Preassembled Mechanical Pumping Systems

Calpeda has created fully assembled, complete pumping systems to provide high quality pressure boosting at less cost and in less space for residential and commercial buildings and for industrial applications.

1 to 3 pieces of centrifugal pumps are supplied on a common base frame as complete, preassembled and tested systems, including suction and discharge manifolds, isolating valves, non-return valves and other parts.

According to user demands, pumping systems can be operated automatically by means of; i.e. pressure, flow, level, temperature or time switches/sensors.

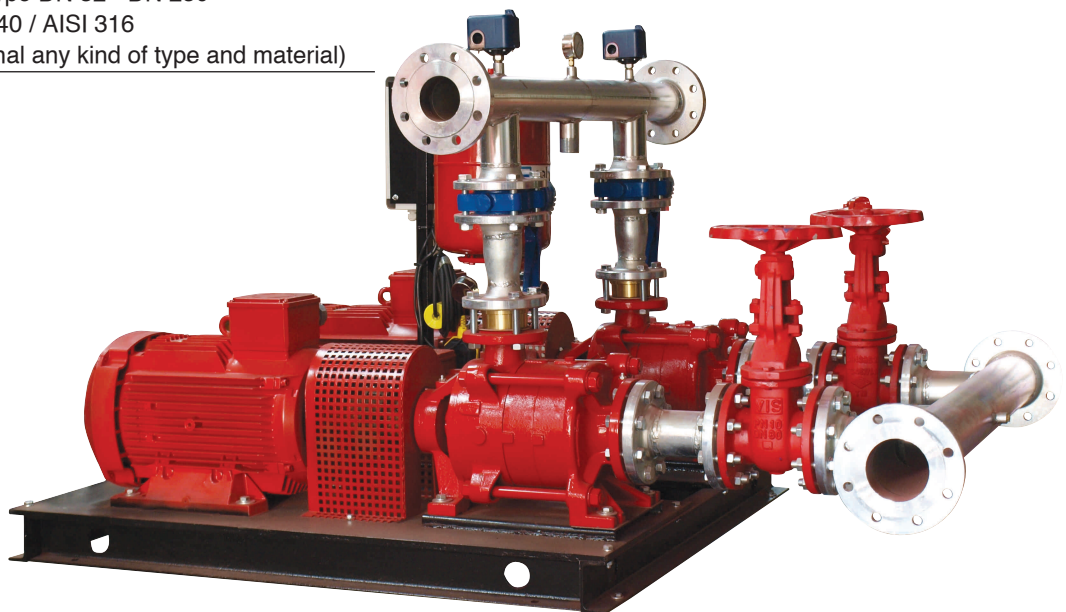
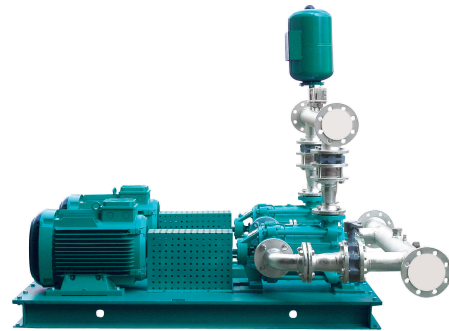
Switches, sensors, gauges, relief valves, safety valves, bypass valves, air venting valves, drain cocks and diaphragm pressure vessel can be mounted on supplied manifolds easily according to demanded functions.

Scope of supply

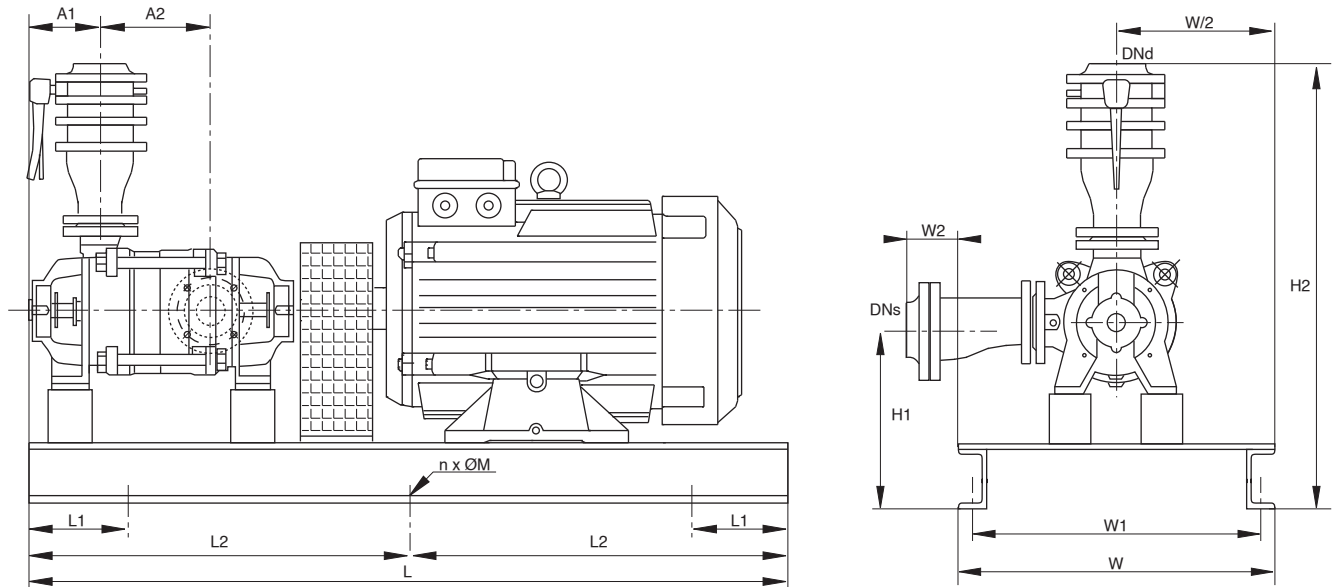
- Common base frame
- Suction and discharge manifolds, including vacuum and pressure gauges
- Flanged type increasers on the suction and discharge sides of the pumps
- Non-return valves (one per pump)
- Isolating valves (two per pump)

Construction Materials

Base frame	Epoxy coated steel (optional AISI 304 or AISI 316)
Manifolds	Electro-galvanised steel (optional AISI 304 or AISI 316)
Increasers	Electro-galvanised steel (optional AISI 304 or AISI 316)
Isolating valves	Butterfly GG 25 / polyamid coated / EPDM (optional any kind of type and material)
Non-return valves	Disc type DN 32 - DN 250 GGG 40 / AISI 316 (optional any kind of type and material)

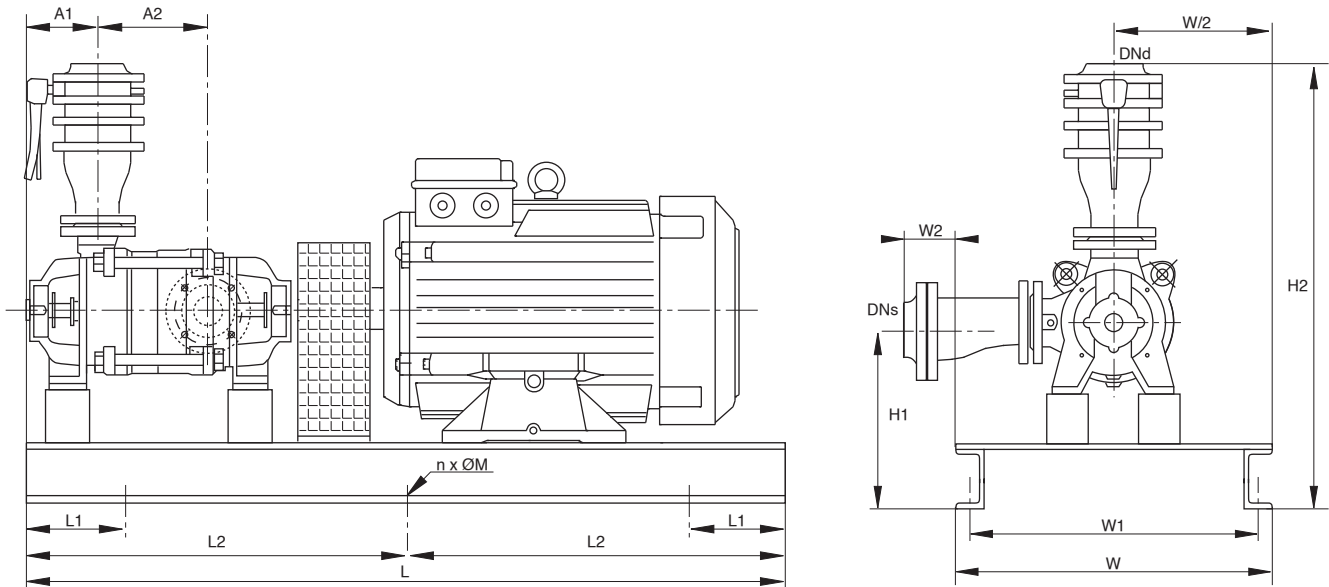


Dimensions



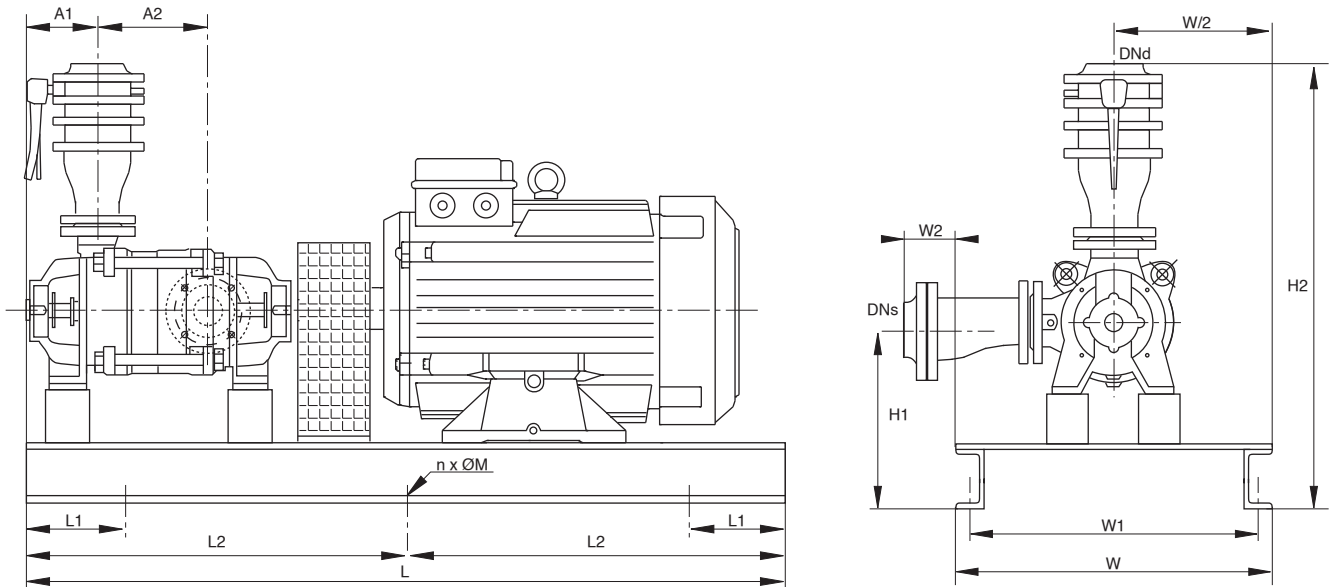
Pump type	Motor	DNs [mm]	DNd [mm]	L [mm]	W [mm]	H1 [mm]	H2 [mm]	A1 [mm]	A2 [mm]	L1 [mm]	L2 [mm]	n x M [nXØmm]	W1 [mm]	W2 [mm]	Weight [kg]
1-MGH4 32/2 - 0.18	63M4B	50	40	750	350	218	655	165	114	100	-	4x12	320	192	95
1-MGH4 32/2 - 0.25	71M4A	50	40	800	350	218	655	165	114	100	-	4x12	320	192	100
1-MGH4 32/2 - 0.37	71M4B	50	40	800	350	218	655	165	114	100	-	4x12	320	192	101
1-MGH 32/2 - 1.5	90S2A	50	40	850	350	218	655	165	114	100	-	4x12	320	192	109
1-MGH 32/2 - 2.2	90L2A	50	40	850	350	218	655	165	114	100	-	4x12	320	192	111
1-MGH 32/2 - 3	100L2A	50	40	900	350	218	655	165	114	100	-	4x12	320	192	119
1-MGH4 32/3 - 0.37	71M4B	50	40	800	350	218	655	165	157	100	-	4x12	320	192	107
1-MGH4 32/3 - 0.55	80M4A	50	40	850	350	218	655	165	157	100	-	4x12	320	192	111
1-MGH 32/3 - 3	100L2A	50	40	950	350	218	655	165	157	100	-	4x12	320	192	127
1-MGH 32/3 - 4	112M2A	50	40	950	350	218	655	165	157	100	-	4x12	320	192	135
1-MGH 32/3 - 5.5	132S2A	50	40	1000	400	218	655	165	157	100	-	4x12	370	167	144
1-MGH4 32/4 - 0.37	71M4B	50	40	850	350	218	655	165	200	100	-	4x12	320	192	115
1-MGH4 32/4 - 0.55	80M4A	50	40	900	350	218	655	165	200	100	-	4x12	320	192	118
1-MGH4 32/4 - 0.75	80M4B	50	40	900	350	218	655	165	200	100	-	4x12	320	192	119
1-MGH 32/4 - 3	100L2A	50	40	950	350	218	655	165	200	100	-	4x12	320	192	133
1-MGH 32/4 - 4	112M2A	50	40	1000	350	218	655	165	200	100	-	4x12	320	192	143
1-MGH 32/4 - 5.5	132S2A	50	40	1050	400	238	675	165	200	100	-	4x12	360	167	156
1-MGH 32/4 - 7.5	132S2C	50	40	1050	400	238	675	165	200	100	-	4x14	360	167	163
1-MGH4 32/5 - 0.55	80M4A	50	40	950	350	218	655	165	243	100	-	4x12	320	192	126
1-MGH4 32/5 - 0.75	80M4B	50	40	950	350	218	655	165	243	100	-	4x12	320	192	127
1-MGH4 32/5 - 1.1	90S4A	50	40	950	350	218	655	165	243	100	-	4x12	320	192	129
1-MGH 32/5 - 4	112M2A	50	40	1050	350	238	675	165	243	100	-	4x12	310	192	155
1-MGH 32/5 - 5.5	132S2A	50	40	1100	400	238	675	165	243	100	-	4x14	360	167	164
1-MGH 32/5 - 7.5	132S2C	50	40	1100	400	238	675	165	243	100	-	4x14	360	167	171
1-MGH4 32/6 - 0.55	80M4A	50	40	950	350	218	655	165	286	100	-	4x12	320	192	132
1-MGH4 32/6 - 0.75	80M4B	50	40	950	350	218	655	165	286	100	-	4x12	320	192	133
1-MGH4 32/6 - 1.1	90S4A	50	40	1000	350	218	655	165	286	100	-	4x12	320	192	136
1-MGH 32/6 - 5.5	132S2A	50	40	1150	400	238	675	165	286	100	-	4x14	360	167	172
1-MGH 32/6 - 7.5	132S2C	50	40	1150	400	238	675	165	286	100	-	4x14	360	167	179
1-MGH 32/6 - 11	160M2A	50	40	1300	450	266	703	165	286	150	650	6x12	410	142	216
1-MGH4 32/7 - 0.75	80M4B	50	40	1000	350	218	655	165	329	100	-	4x12	320	192	140
1-MGH4 32/7 - 1.1	90S4A	50	40	1050	350	218	655	165	329	100	-	4x12	320	192	144
1-MGH4 32/7 - 1.5	90L4A	50	40	1050	350	238	675	165	329	100	-	4x12	310	192	150
1-MGH 32/7 - 5.5	132S2A	50	40	1200	400	238	675	165	329	100	-	4x14	360	167	180
1-MGH 32/7 - 7.5	132S2C	50	40	1200	400	238	675	165	329	100	-	4x14	360	167	187
1-MGH 32/7 - 11	160M2A	50	40	1350	450	288	725	165	329	150	675	6x12	405	142	241
1-MGH4 32/8 - 0.75	80M4B	50	40	1050	350	238	675	165	372	100	-	4x12	310	192	152
1-MGH4 32/8 - 1.1	90S4A	50	40	1100	350	238	675	165	372	100	-	4x12	310	192	156
1-MGH4 32/8 - 1.5	90L4A	50	40	1100	350	238	675	165	372	100	-	4x12	310	192	158
1-MGH 32/8 - 7.5	132S2C	50	40	1250	400	238	675	165	372	150	625	6x12	360	167	195
1-MGH 32/8 - 11	160M2A	50	40	1350	450	288	725	165	372	150	675	6x12	405	142	247
1-MGH 32/8 - 15	160M2B	50	40	1350	450	288	725	165	372	150	675	6x12	405	142	254

Dimensions



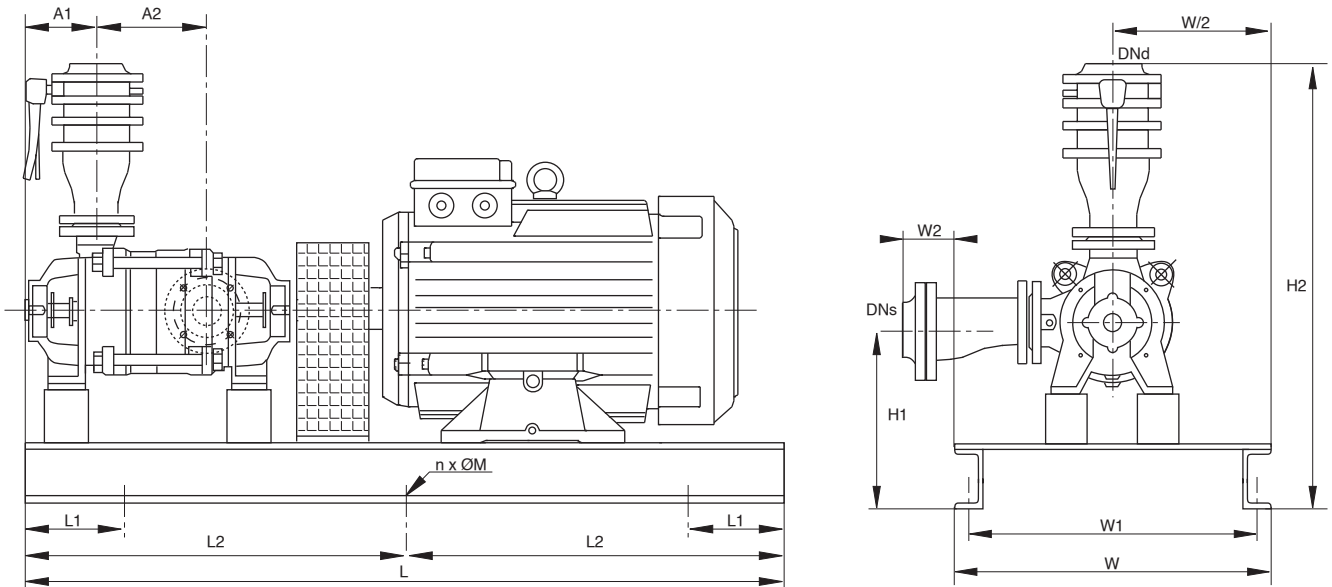
Pump type	Motor	DNs [mm]	DNd [mm]	L [mm]	W [mm]	H1 [mm]	H2 [mm]	A1 [mm]	A2 [mm]	L1 [mm]	L2 [mm]	n X M [nXØmm]	W1 [mm]	W2 [mm]	Weight [kg]
1-MGH4 32/9 - 1.1	90S4A	50	40	1150	350	238	675	165	415	100	-	4x14	310	192	164
1-MGH4 32/9 - 1.5	90L4A	50	40	1150	350	238	675	165	415	100	-	4x14	310	192	166
1-MGH4 32/9 - 2.2	100L4A	50	40	1200	350	238	675	165	415	100	-	4x14	310	192	176
1-MGH 32/9 - 7.5	132S2C	50	40	1250	400	238	675	165	415	150	625	6x12	360	167	201
1-MGH 32/9 - 11	160M2A	50	40	1400	450	288	725	165	415	150	700	6x12	405	142	256
1-MGH 32/9 - 15	160M2B	50	40	1400	450	288	725	165	415	150	700	6x16	405	142	263
1-MGH4 32/10 - 1.1	90S4A	50	40	1200	350	238	675	165	458	100	-	4x14	310	192	171
1-MGH4 32/10 - 1.5	90L4A	50	40	1200	350	238	675	165	458	100	-	4x14	310	192	173
1-MGH4 32/10 - 2.2	100L4A	50	40	1250	350	238	675	165	458	150	625	6x12	310	192	184
1-MGH 32/10 - 7.5	132S2C	50	40	1300	400	238	675	165	458	150	650	6x12	360	167	209
1-MGH 32/10 - 11	160M2A	50	40	1450	450	288	725	165	458	150	725	6x16	405	142	265
1-MGH 32/10 - 15	160M2B	50	40	1450	450	288	725	165	458	150	725	6x16	405	142	272
1-MGH4 32/11 - 1.1	90S4A	50	40	1200	350	238	675	165	501	100	-	4x14	310	192	177
1-MGH4 32/11 - 1.5	90L4A	50	40	1200	350	238	675	165	501	100	-	4x14	310	192	179
1-MGH4 32/11 - 2.2	100L4A	50	40	1250	350	238	675	165	501	150	625	6x12	310	192	190
1-MGH 32/11 - 11	160M2A	50	40	1500	450	288	725	165	501	150	750	6x16	405	142	274
1-MGH 32/11 - 15	160M2B	50	40	1500	450	288	725	165	501	150	750	6x16	405	142	281
1-MGH 32/11 - 18.5	160L2A	50	40	1500	450	288	725	165	501	150	750	6x16	405	142	296
1-MGH4 32/12 - 1.1	90S4A	50	40	1250	350	238	675	165	544	150	625	6x12	310	192	185
1-MGH4 32/12 - 1.5	90L4A	50	40	1250	350	238	675	165	544	150	625	6x12	310	192	187
1-MGH4 32/12 - 2.2	100L4A	50	40	1300	350	238	675	165	544	150	650	6x12	310	192	198
1-MGH 32/12 - 11	160M2A	50	40	1550	450	288	725	165	544	150	775	6x16	405	142	282
1-MGH 32/12 - 15	160M2B	50	40	1550	450	288	725	165	544	150	775	6x16	405	142	289
1-MGH 32/12 - 18.5	160L2A	50	40	1550	450	288	725	165	544	150	775	6x16	405	142	304
1-MGH4 32/13 - 1.5	90L4A	50	40	1300	350	238	675	165	587	150	650	6x12	310	192	195
1-MGH4 32/13 - 2.2	100L4A	50	40	1350	350	238	675	165	587	150	675	6x12	310	192	206
1-MGH4 32/13 - 3	100L4B	50	40	1350	350	238	675	165	587	150	675	6x12	310	192	209
1-MGH 32/13 - 11	160M2A	50	40	1600	450	288	725	165	587	150	800	6x16	405	142	291
1-MGH 32/13 - 15	160M2B	50	40	1600	450	288	725	165	587	150	800	6x16	405	142	298
1-MGH 32/13 - 18.5	160L2A	50	40	1600	450	288	725	165	587	150	800	6x16	405	142	313
1-MGH 32/13 - 22	180M2A	50	40	1650	450	308	745	165	587	150	825	6x16	405	142	339
1-MGH4 32/14 - 1.5	90L4A	50	40	1350	350	238	675	165	630	150	675	6x12	310	192	203
1-MGH4 32/14 - 2.2	100L4A	50	40	1400	350	238	675	165	630	150	700	6x12	310	192	214
1-MGH4 32/14 - 3	100L4B	50	40	1400	350	260	697	165	630	150	700	6x12	305	192	232
1-MGH4 40/2 - 0.55	80M4A	65	50	800	350	246	741	165	133	100	-	4x12	320	230	127
1-MGH4 40/2 - 0.75	80M4B	65	50	800	350	246	741	165	133	100	-	4x12	320	230	128
1-MGH4 40/2 - 1.1	90S4A	65	50	850	350	246	741	165	133	100	-	4x12	320	230	132
1-MGH 40/2 - 4	112M2A	65	50	950	350	266	761	165	133	100	-	4x12	310	230	157
1-MGH 40/2 - 5.5	132S2A	65	50	1000	400	266	761	165	133	100	-	4x14	360	205	166
1-MGH 40/2 - 7.5	132S2C	65	50	1000	400	266	761	165	133	100	-	4x14	360	205	173
1-MGH 40/2 - 11	160M2A	65	50	1150	450	266	761	165	133	100	-	4x14	410	180	210

Dimensions



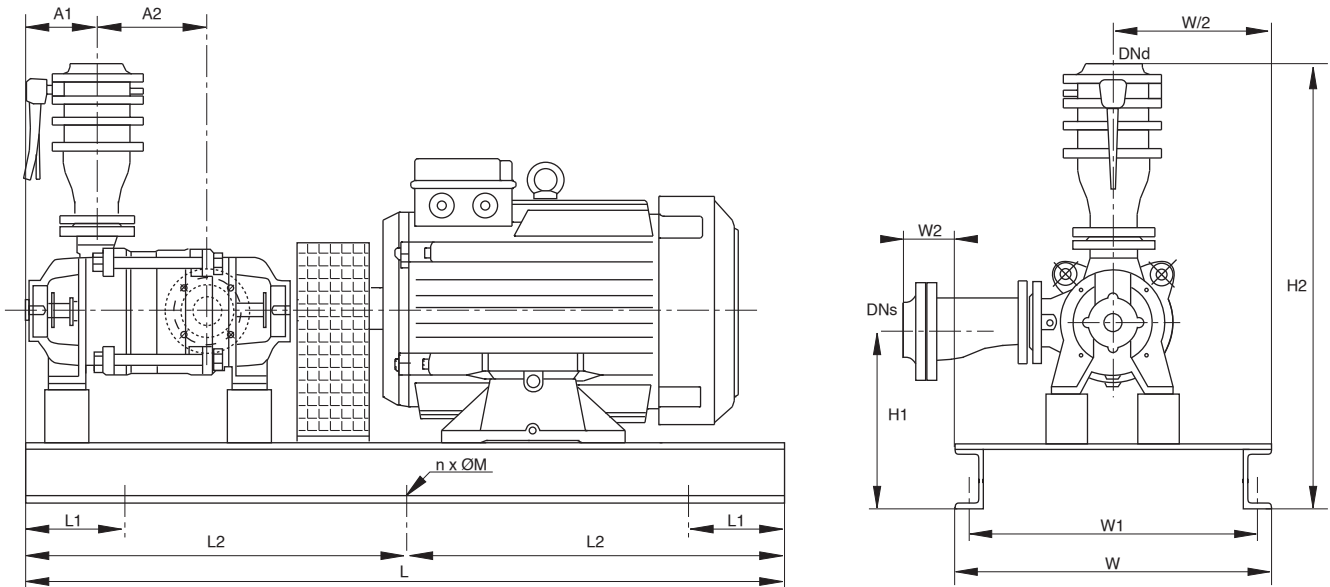
Pump type	Motor	DNs [mm]	DNd [mm]	L [mm]	W [mm]	H1 [mm]	H2 [mm]	A1 [mm]	A2 [mm]	L1 [mm]	L2 [mm]	n X M [nXØmm]	W1 [mm]	W2 [mm]	Weight [kg]
1-MGH4 40/3 - 0.75	80M4B	65	50	850	350	246	741	165	188	100	-	4x12	320	230	139
1-MGH4 40/3 - 1.1	90S4A	65	50	900	350	266	761	165	188	100	-	4x12	310	230	146
1-MGH4 40/3 - 1.5	90L4A	65	50	900	350	266	761	165	188	100	-	4x12	310	230	148
1-MGH4 40/3 - 2.2	100L4A	65	50	950	350	266	761	165	188	100	-	4x12	310	230	158
1-MGH 40/3 - 5.5	132S2A	65	50	1050	400	266	761	165	188	100	-	4x14	360	205	178
1-MGH 40/3 - 7.5	132S2C	65	50	1050	400	266	761	165	188	100	-	4x14	360	205	185
1-MGH 40/3 - 11	160M2A	65	50	1200	450	288	783	165	188	100	-	4x14	405	180	237
1-MGH 40/3 - 15	160M2B	65	50	1200	450	288	783	165	188	100	-	4x14	405	180	244
1-MGH4 40/4 - 1.1	90S4A	65	50	950	350	266	761	165	243	100	-	4x12	310	230	158
1-MGH4 40/4 - 1.5	90L4A	65	50	950	350	266	761	165	243	100	-	4x12	310	230	160
1-MGH4 40/4 - 2.2	100L4A	65	50	1000	350	266	761	165	243	100	-	4x14	310	230	170
1-MGH 40/4 - 7.5	132S2C	65	50	1100	400	266	761	165	243	100	-	4x14	360	205	196
1-MGH 40/4 - 11	160M2A	65	50	1250	450	288	783	165	243	150	625	6x12	405	180	249
1-MGH 40/4 - 15	160M2B	65	50	1250	450	288	783	165	243	150	625	6x12	405	180	256
1-MGH 40/4 - 18.5	160L2A	65	50	1250	450	288	783	165	243	150	625	6x16	405	180	271
1-MGH4 40/5 - 1.1	90S4A	65	50	1000	350	266	761	165	298	100	-	4x14	310	230	169
1-MGH4 40/5 - 1.5	90L4A	65	50	1000	350	266	761	165	298	100	-	4x14	310	230	171
1-MGH4 40/5 - 2.2	100L4A	65	50	1050	350	266	761	165	298	100	-	4x14	310	230	181
1-MGH4 40/5 - 3	100L4B	65	50	1050	350	266	761	165	298	100	-	4x14	310	230	184
1-MGH 40/5 - 11	160M2A	65	50	1300	450	288	783	165	298	150	650	6x12	405	180	261
1-MGH 40/5 - 15	160M2B	65	50	1300	450	288	783	165	298	150	650	6x16	405	180	268
1-MGH 40/5 - 18.5	160L2A	65	50	1300	450	288	783	165	298	150	650	6x16	405	180	283
1-MGH 40/5 - 22	180M2A	65	50	1350	450	308	803	165	298	150	675	6x16	405	180	309
1-MGH4 40/6 - 1.5	90L4A	65	50	1050	350	266	761	165	353	100	-	4x14	310	230	182
1-MGH4 40/6 - 2.2	100L4A	65	50	1100	350	266	761	165	353	100	-	4x14	310	230	192
1-MGH4 40/6 - 3	100L4B	65	50	1100	350	266	761	165	353	100	-	4x14	310	230	195
1-MGH4 40/6 - 4	112M4B	65	50	1150	350	266	761	165	353	100	-	4x14	310	230	204
1-MGH 40/6 - 11	160M2A	65	50	1350	450	288	783	165	353	150	675	6x16	405	180	273
1-MGH 40/6 - 15	160M2B	65	50	1350	450	288	783	165	353	150	675	6x16	405	180	280
1-MGH 40/6 - 18.5	160L2A	65	50	1350	450	288	783	165	353	150	675	6x16	405	180	295
1-MGH 40/6 - 22	180M2A	65	50	1400	450	308	803	165	353	150	700	6x16	405	180	321
1-MGH 40/6 - 30	200L2A	65	50	1450	500	348	843	165	353	150	725	6x16	450	155	370
1-MGH4 40/7 - 2.2	100L4A	65	50	1200	350	266	761	165	408	100	-	4x14	310	230	206
1-MGH4 40/7 - 3	100L4B	65	50	1200	350	266	761	165	408	100	-	4x14	310	230	209
1-MGH4 40/7 - 4	112M4B	65	50	1200	400	288	783	165	408	100	-	4x14	355	205	233
1-MGH 40/7 - 15	160M2B	65	50	1400	450	288	783	165	408	150	700	6x16	405	180	293
1-MGH 40/7 - 18.5	160L2A	65	50	1400	450	288	783	165	408	150	700	6x16	405	180	308
1-MGH 40/7 - 22	180M2A	65	50	1450	450	308	803	165	408	150	725	6x16	405	180	333
1-MGH 40/7 - 30	200L2A	65	50	1500	500	348	843	165	408	150	750	6x16	450	155	383

Dimensions



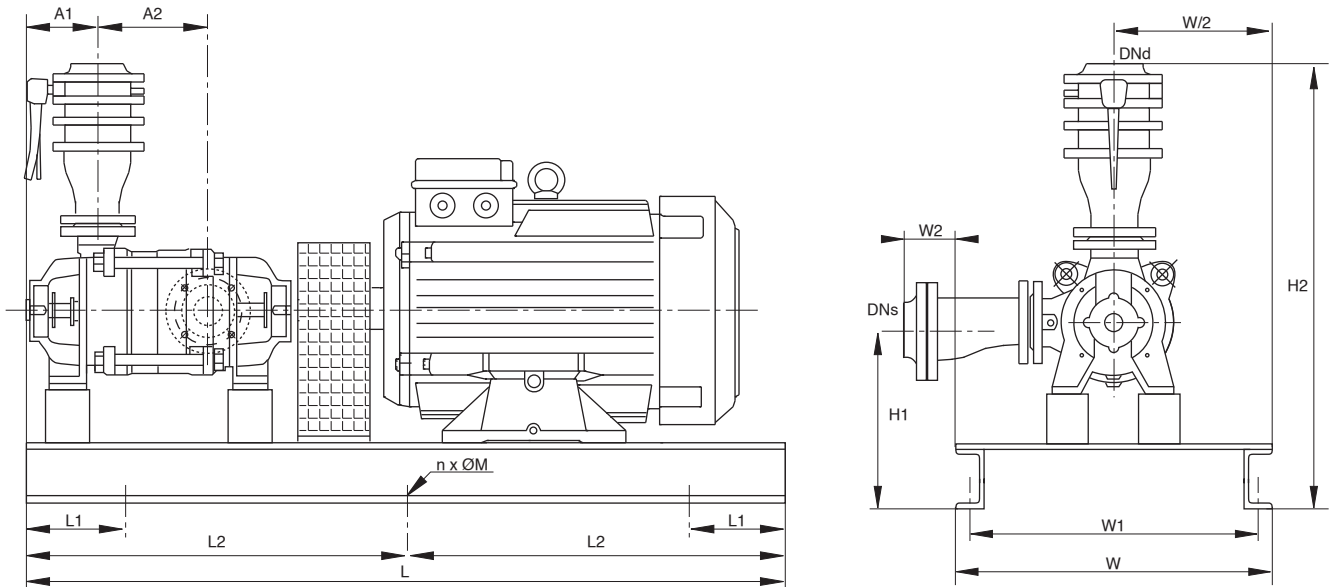
Pump type	Motor	DNs [mm]	DNd [mm]	L [mm]	W [mm]	H1 [mm]	H2 [mm]	A1 [mm]	A2 [mm]	L1 [mm]	L2 [mm]	n X M [nXØmm]	W1 [mm]	W2 [mm]	Weight [kg]
1-MGH4 40/8 - 2.2	100L4A	65	50	1250	350	288	783	165	463	150	625	6x12	305	230	231
1-MGH4 40/8 - 3	100L4B	65	50	1250	350	288	783	165	463	150	625	6x12	305	230	234
1-MGH4 40/8 - 4	112M4B	65	50	1250	400	288	783	165	463	150	625	6x12	355	205	245
1-MGH4 40/8 - 5.5	132S4C	65	50	1300	400	288	783	165	463	150	650	6x12	355	205	255
1-MGH 40/8 - 15	160M2B	65	50	1450	450	288	783	165	463	150	725	6x16	405	180	305
1-MGH 40/8 - 18.5	160L2A	65	50	1450	450	288	783	165	463	150	725	6x16	405	180	320
1-MGH 40/8 - 22	180M2A	65	50	1500	450	308	803	165	463	150	750	6x16	405	180	346
1-MGH 40/8 - 30	200L2A	65	50	1550	500	348	843	165	463	150	775	6x16	450	155	395
1-MGH 40/8 - 37	200L2B	65	50	1550	500	348	843	165	463	150	775	6x16	450	155	414
1-MGH4 40/9 - 2.2	100L4A	65	50	1300	350	288	783	165	518	150	650	6x12	305	230	243
1-MGH4 40/9 - 3	100L4B	65	50	1300	350	288	783	165	518	150	650	6x12	305	230	246
1-MGH4 40/9 - 4	112M4B	65	50	1300	400	288	783	165	518	150	650	6x12	355	205	257
1-MGH4 40/9 - 5.5	132S4C	65	50	1350	400	288	783	165	518	150	675	6x16	355	205	268
1-MGH 40/9 - 18.5	160L2A	65	50	1500	450	288	783	165	518	150	750	6x16	405	180	332
1-MGH 40/9 - 22	180M2A	65	50	1550	450	328	823	165	518	150	775	6x16	400	180	366
1-MGH 40/9 - 30	200L2A	65	50	1600	500	348	843	165	518	150	800	6x16	450	155	408
1-MGH 40/9 - 37	200L2B	65	50	1600	500	348	843	165	518	150	800	6x18	450	155	427
1-MGH4 40/10 - 2.2	100L4A	65	50	1350	350	288	783	165	573	150	675	6x12	305	230	255
1-MGH4 40/10 - 3	100L4B	65	50	1350	350	288	783	165	573	150	675	6x12	305	230	258
1-MGH4 40/10 - 4	112M4B	65	50	1350	400	288	783	165	573	150	675	6x16	355	205	269
1-MGH4 40/10 - 5.5	132S4C	65	50	1400	400	288	783	165	573	150	700	6x16	355	205	280
1-MGH 40/10 - 18.5	160L2A	65	50	1550	450	288	783	165	573	150	775	6x16	405	180	344
1-MGH 40/10 - 22	180M2A	65	50	1600	450	328	823	165	573	150	800	6x16	400	180	378
1-MGH 40/10 - 30	200L2A	65	50	1650	500	348	843	165	573	150	825	6x18	450	155	421
1-MGH 40/10 - 37	200L2B	65	50	1650	500	348	843	165	573	150	825	6x18	450	155	440
1-MGH 40/10 - 45	225M2A	65	50	1700	550	375	870	165	573	150	850	6x18	500	130	502
1-MGH4 40/11 - 3	100L4B	65	50	1400	350	288	783	165	628	150	700	6x16	305	230	270
1-MGH4 40/11 - 4	112M4B	65	50	1450	400	288	783	165	628	150	725	6x16	355	205	284
1-MGH4 40/11 - 5.5	132S4C	65	50	1500	400	288	783	165	628	150	750	6x16	355	205	294
1-MGH4 40/11 - 7.5	132M4B	65	50	1500	400	288	783	165	628	150	750	6x16	355	205	315
1-MGH 40/11 - 22	180M2A	65	50	1650	450	328	823	165	628	150	825	6x16	400	180	391
1-MGH 40/11 - 30	200L2A	65	50	1700	500	348	843	165	628	150	850	6x18	450	155	433
1-MGH 40/11 - 37	200L2B	65	50	1700	500	348	843	165	628	150	850	6x18	450	155	452
1-MGH 40/11 - 45	225M2A	65	50	1800	550	375	870	165	628	150	900	6x18	500	130	519
1-MGH4 40/12 - 3	100L4B	65	50	1450	350	288	783	165	683	150	725	6x16	305	230	282
1-MGH4 40/12 - 4	112M4B	65	50	1500	400	288	783	165	683	150	750	6x16	355	205	296
1-MGH4 40/12 - 5.5	132S4C	65	50	1550	400	288	783	165	683	150	775	6x16	355	205	306
1-MGH4 40/12 - 7.5	132M4B	65	50	1550	400	288	783	165	683	150	775	6x16	355	205	327
1-MGH 40/12 - 22	180M2A	65	50	1700	450	328	823	165	683	150	850	6x16	400	180	403
1-MGH 40/12 - 30	200L2A	65	50	1750	500	348	843	165	683	150	875	6x18	450	155	446
1-MGH 40/12 - 37	200L2B	65	50	1750	500	348	843	165	683	150	875	6x18	450	155	465
1-MGH 40/12 - 45	225M2A	65	50	1850	550	375	870	165	683	150	925	6x18	500	130	532
1-MGH 40/12 - 55	250M2A	65	50	1900	600	400	895	165	683	150	950	6x18	550	105	572

Dimensions



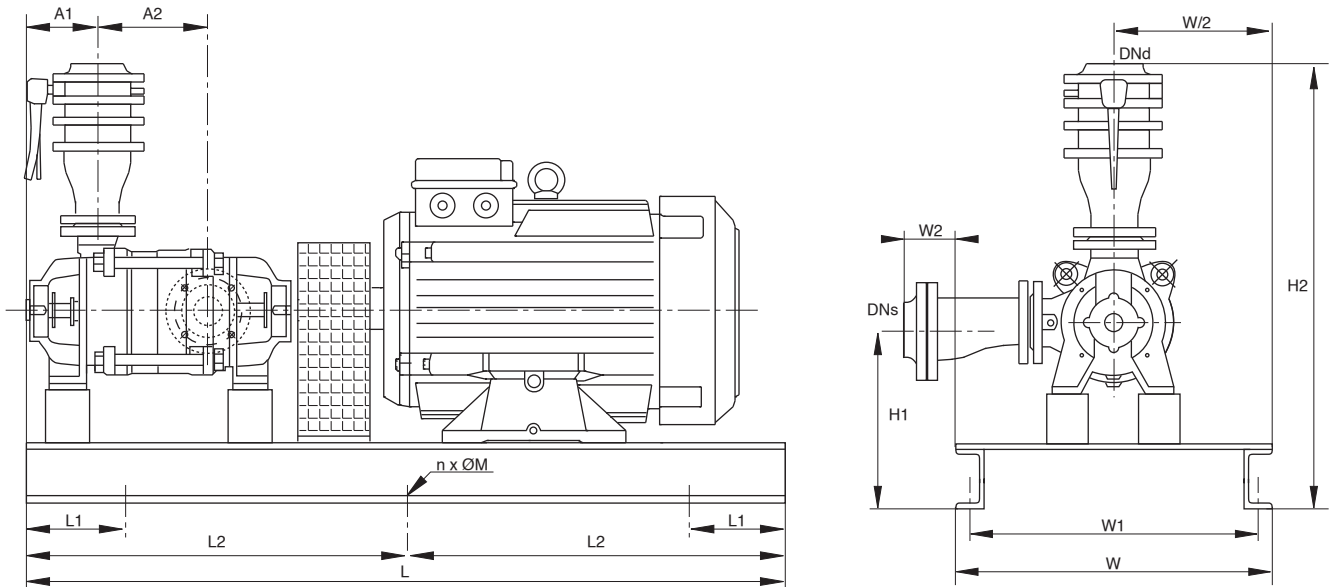
Pump type	Motor	DNs [mm]	DNd [mm]	L [mm]	W [mm]	H1 [mm]	H2 [mm]	A1 [mm]	A2 [mm]	L1 [mm]	L2 [mm]	n X M [nXØmm]	W1 [mm]	W2 [mm]	Weight [kg]
1-MGH4 40/13 - 3	100L4B	65	50	1500	350	288	783	165	738	150	750	6x16	305	230	294
1-MGH4 40/13 - 4	112M4B	65	50	1550	400	288	783	165	738	150	775	6x16	355	205	308
1-MGH4 40/13 - 5.5	132S4C	65	50	1600	400	288	783	165	738	150	800	6x16	355	205	319
1-MGH4 40/13 - 7.5	132M4B	65	50	1650	400	288	783	165	738	150	825	6x16	355	205	342
1-MGH4 50/2 - 1.1	90S4A	80	65	900	400	266	801	175	152	100	-	4x14	360	230	180
1-MGH4 50/2 - 1.5	90L4A	80	65	900	400	266	801	175	152	100	-	4x14	360	230	182
1-MGH4 50/2 - 2.2	100L4A	80	65	950	400	266	801	175	152	100	-	4x14	360	230	192
1-MGH 50/2 - 7.5	132S2C	80	65	1050	400	288	823	175	152	100	-	4x14	355	230	231
1-MGH 50/2 - 11	160M2A	80	65	1200	450	288	823	175	152	100	-	4x16	405	205	270
1-MGH 50/2 - 15	160M2B	80	65	1200	450	288	823	175	152	100	-	4x16	405	205	277
1-MGH4 50/3 - 1.5	90L4A	80	65	950	400	266	801	175	214	100	-	4x14	360	230	197
1-MGH4 50/3 - 2.2	100L4A	80	65	1000	400	266	801	175	214	100	-	4x14	360	230	207
1-MGH4 50/3 - 3	100L4B	80	65	1000	400	288	823	175	214	100	-	4x14	355	230	221
1-MGH 50/3 - 11	160M2A	80	65	1250	450	288	823	175	214	150	625	6x16	405	205	286
1-MGH 50/3 - 15	160M2B	80	65	1250	450	288	823	175	214	150	625	6x16	405	205	293
1-MGH 50/3 - 18.5	160L2A	80	65	1250	450	288	823	175	214	150	625	6x16	405	205	308
1-MGH 50/3 - 22	180M2A	80	65	1300	450	308	843	175	214	150	650	6x16	405	205	334
1-MGH4 50/4 - 2.2	100L4A	80	65	1050	400	288	823	175	276	100	-	4x14	355	230	233
1-MGH4 50/4 - 3	100L4B	80	65	1050	400	288	823	175	276	100	-	4x14	355	230	236
1-MGH4 50/4 - 4	112M4B	80	65	1100	400	288	823	175	276	100	-	4x14	355	230	249
1-MGH 50/4 - 15	160M2B	80	65	1300	450	288	823	175	276	150	650	6x16	405	205	309
1-MGH 50/4 - 18.5	160L2A	80	65	1300	450	288	823	175	276	150	650	6x16	405	205	324
1-MGH 50/4 - 22	180M2A	80	65	1350	450	328	863	175	276	150	675	6x16	400	205	356
1-MGH 50/4 - 30	200L2A	80	65	1400	500	348	883	175	276	150	700	6x16	450	180	398
1-MGH4 50/5 - 2.2	100L4A	80	65	1150	400	288	823	175	338	100	-	4x14	355	230	251
1-MGH4 50/5 - 3	100L4B	80	65	1150	400	288	823	175	338	100	-	4x14	355	230	254
1-MGH4 50/5 - 4	112M4B	80	65	1150	400	288	823	175	338	100	-	4x14	355	230	265
1-MGH4 50/5 - 5.5	132S4C	80	65	1200	400	288	823	175	338	100	-	4x16	355	230	275
1-MGH 50/5 - 18.5	160L2A	80	65	1350	450	288	823	175	338	150	675	6x16	405	205	339
1-MGH 50/5 - 22	180M2A	80	65	1400	450	328	863	175	338	150	700	6x16	400	205	372
1-MGH 50/5 - 30	200L2A	80	65	1450	500	348	883	175	338	150	725	6x16	450	180	414
1-MGH 50/5 - 37	200L2B	80	65	1450	500	348	883	175	338	150	725	6x18	450	180	433
1-MGH4 50/6 - 3	100L4B	80	65	1200	400	288	823	175	400	100	-	4x16	355	230	270
1-MGH4 50/6 - 4	112M4B	80	65	1200	400	288	823	175	400	100	-	4x16	355	230	280
1-MGH4 50/6 - 5.5	132S4C	80	65	1300	400	288	823	175	400	150	650	6x16	355	230	293
1-MGH4 50/6 - 7.5	132M4B	80	65	1300	400	288	823	175	400	150	650	6x16	355	230	314
1-MGH 50/6 - 22	180M2A	80	65	1450	450	328	863	175	400	150	725	6x16	400	205	388
1-MGH 50/6 - 30	200L2A	80	65	1500	500	348	883	175	400	150	750	6x18	450	180	430
1-MGH 50/6 - 37	200L2B	80	65	1500	500	348	883	175	400	150	750	6x18	450	180	449
1-MGH 50/6 - 45	225M2A	80	65	1550	550	375	910	175	400	150	775	6x18	500	155	510

Dimensions



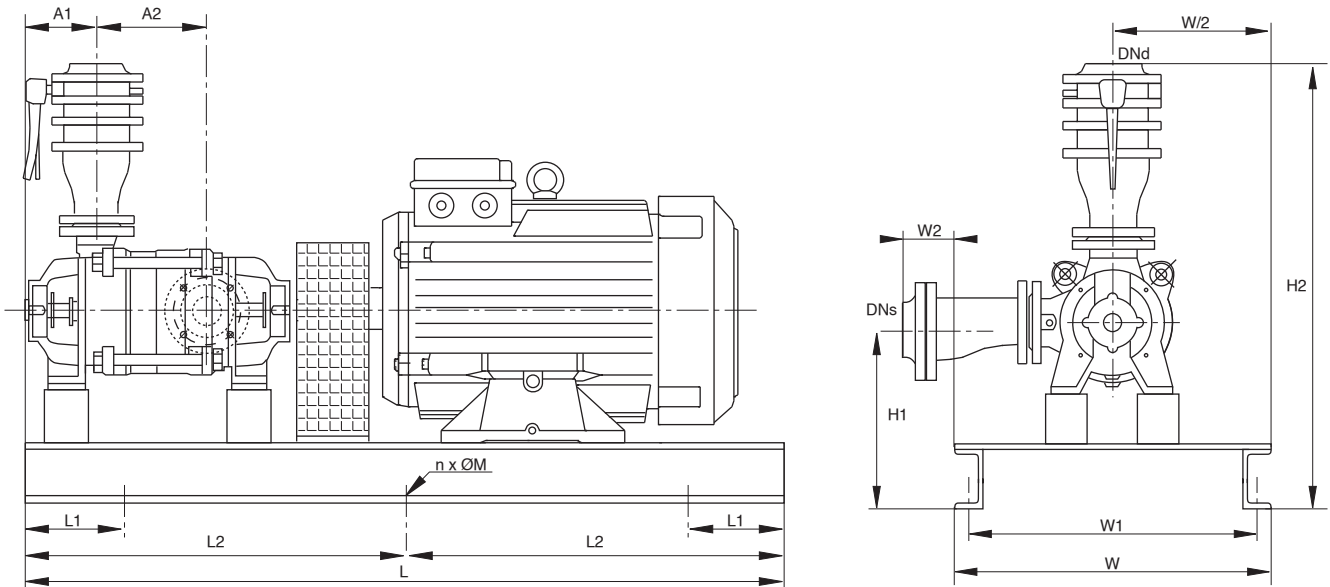
Pump type	Motor	DNs [mm]	DNd [mm]	L [mm]	W [mm]	H1 [mm]	H2 [mm]	A1 [mm]	A2 [mm]	L1 [mm]	L2 [mm]	n X M [nXØmm]	W1 [mm]	W2 [mm]	Weight [kg]
1-MGH4 50/7 - 3	100L4B	80	65	1250	400	288	823	175	462	150	625	6x16	355	230	285
1-MGH4 50/7 - 4	112M4B	80	65	1300	400	288	823	175	462	150	650	6x16	355	230	298
1-MGH4 50/7 - 5.5	132S4C	80	65	1350	400	288	823	175	462	150	675	6x16	355	230	309
1-MGH4 50/7 - 7.5	132M4B	80	65	1400	400	288	823	175	462	150	700	6x16	355	230	333
1-MGH 50/7 - 30	200L2A	80	65	1550	500	348	883	175	462	150	775	6x18	450	180	446
1-MGH 50/7 - 37	200L2B	80	65	1550	500	348	883	175	462	150	775	6x18	450	180	465
1-MGH 50/7 - 45	225M2A	80	65	1650	550	375	910	175	462	150	825	6x18	500	155	530
1-MGH 50/7 - 55	250M2A	80	65	1700	600	400	935	175	462	150	850	6x18	550	130	569
1-MGH4 50/8 - 4	112M4B	80	65	1350	400	288	823	175	524	150	675	6x16	355	230	314
1-MGH4 50/8 - 5.5	132S4C	80	65	1400	400	288	823	175	524	150	700	6x16	355	230	325
1-MGH4 50/8 - 7.5	132M4B	80	65	1450	400	308	843	175	524	150	725	6x16	350	230	356
1-MGH4 50/8 - 11	160M4B	80	65	1550	450	308	843	175	524	150	775	6x16	400	205	382
1-MGH 50/8 - 30	200L2A	80	65	1650	500	348	883	175	524	150	825	6x18	450	180	466
1-MGH 50/8 - 37	200L2B	80	65	1650	500	350	885	175	524	150	825	6x18	450	180	498
1-MGH 50/8 - 45	225M2A	80	65	1700	550	375	910	175	524	150	850	6x18	500	155	547
1-MGH 50/8 - 55	250M2A	80	65	1750	600	400	935	175	524	150	875	6x18	550	130	586
1-MGH 50/8 - 75	280S2	80	65	1900	650	452	987	175	524	150	950	6x20	595	105	941
1-MGH4 50/9 - 4	112M4B	80	65	1400	400	288	823	175	586	150	700	6x16	355	230	330
1-MGH4 50/9 - 5.5	132S4C	80	65	1450	400	288	823	175	586	150	725	6x16	355	230	340
1-MGH4 50/9 - 7.5	132M4B	80	65	1500	400	308	843	175	586	150	750	6x16	350	230	372
1-MGH4 50/9 - 11	160M4B	80	65	1600	450	308	843	175	586	150	800	6x16	400	205	398
1-MGH 50/9 - 30	200L2A	80	65	1700	500	350	885	175	586	150	850	6x18	450	180	495
1-MGH 50/9 - 37	200L2B	80	65	1700	500	350	885	175	586	150	850	6x18	450	180	514
1-MGH 50/9 - 45	225M2A	80	65	1750	550	375	910	175	586	150	875	6x18	500	155	564
1-MGH 50/9 - 55	250M2A	80	65	1800	600	400	935	175	586	150	900	6x18	550	130	603
1-MGH 50/9 - 75	280S2	80	65	2000	650	452	987	175	586	150	1000	6x20	595	105	964
1-MGH4 50/10 - 4	112M4B	80	65	1450	400	308	843	175	648	150	725	6x16	350	230	353
1-MGH4 50/10 - 5.5	132S4C	80	65	1500	400	308	843	175	648	150	750	6x16	350	230	364
1-MGH4 50/10 - 7.5	132M4B	80	65	1550	400	308	843	175	648	150	775	6x16	350	230	388
1-MGH4 50/10 - 11	160M4B	80	65	1650	450	308	843	175	648	150	825	6x16	400	205	414
1-MGH 50/10 - 37	200L2B	80	65	1750	500	350	885	175	648	150	875	6x18	450	180	531
1-MGH 50/10 - 45	225M2A	80	65	1800	550	375	910	175	648	150	900	6x18	500	155	580
1-MGH 50/10 - 55	250M2A	80	65	1850	600	420	955	175	648	150	925	6x18	545	130	631
1-MGH 50/10 - 75	280S2	80	65	2050	650	452	987	175	648	150	1025	6x20	595	105	982
1-MGH4 50/11 - 5.5	132S4C	80	65	1600	400	308	843	175	710	150	800	6x16	350	230	382
1-MGH4 50/11 - 7.5	132M4B	80	65	1650	400	308	843	175	710	150	825	6x16	350	230	406
1-MGH4 50/11 - 11	160M4B	80	65	1750	450	308	843	175	710	150	875	6x18	400	205	433
1-MGH4 50/12 - 5.5	132S4C	80	65	1650	400	308	843	175	772	150	825	6x16	350	230	398
1-MGH4 50/12 - 7.5	132M4B	80	65	1700	400	308	843	175	772	150	850	6x18	350	230	422
1-MGH4 50/12 - 11	160M4B	80	65	1800	450	308	843	175	772	150	900	6x18	400	205	449
1-MGH4 50/12 - 15	160L4A	80	65	1800	450	308	843	175	772	150	900	6x18	400	205	463

Dimensions



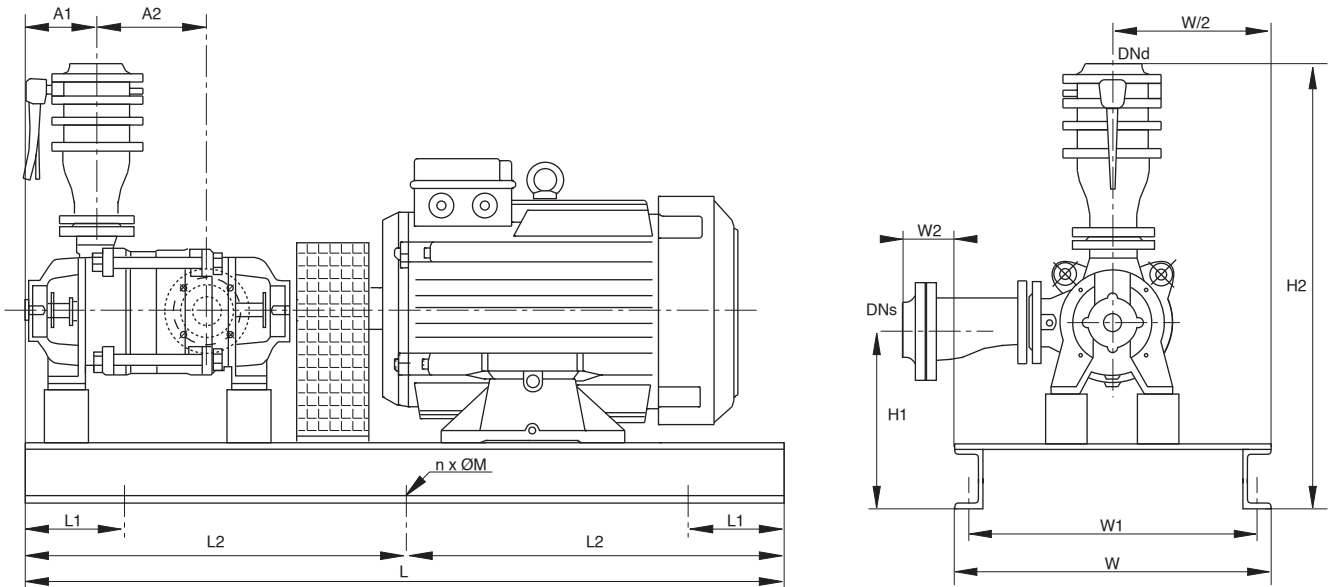
Pump type	Motor	DNs [mm]	DNd [mm]	L [mm]	W [mm]	H1 [mm]	H2 [mm]	A1 [mm]	A2 [mm]	L1 [mm]	L2 [mm]	n X M [nXØmm]	W1 [mm]	W2 [mm]	Weight [kg]
1-MGH4 65/2 - 2.2	100L4A	100	80	1000	450	308	878	195	178	100	-	4x14	405	245	228
1-MGH4 65/2 - 3	100L4B	100	80	1000	450	308	878	195	178	100	-	4x14	405	245	231
1-MGH4 65/2 - 4	112M4B	100	80	1050	450	308	878	195	178	100	-	4x14	405	245	244
1-MGH 65/2 - 18.5	160L2A	100	80	1250	450	308	878	195	178	150	625	6x16	405	245	318
1-MGH 65/2 - 22	180M2A	100	80	1300	450	308	878	195	178	150	650	6x16	405	245	344
1-MGH 65/2 - 30	200L2A	100	80	1300	500	348	918	195	178	150	650	6x16	450	220	388
1-MGH 65/2 - 37	200L2B	100	80	1300	500	348	918	195	178	150	650	6x16	450	220	407
1-MGH4 65/3 - 4	112M4B	100	80	1100	450	308	878	195	249	100	-	4x14	405	245	266
1-MGH4 65/3 - 5.5	132S4C	100	80	1150	450	308	878	195	249	100	-	4x16	405	245	277
1-MGH4 65/3 - 7.5	132M4B	100	80	1200	450	308	878	195	249	100	-	4x16	405	245	300
1-MGH 65/3 - 30	200L2A	100	80	1400	500	348	918	195	249	150	700	6x16	450	220	415
1-MGH 65/3 - 37	200L2B	100	80	1400	500	348	918	195	249	150	700	6x18	450	220	434
1-MGH 65/3 - 45	225M2A	100	80	1450	550	375	945	195	249	150	725	6x18	500	195	493
1-MGH 65/3 - 55	250M2A	100	80	1500	600	400	970	195	249	150	750	6x18	550	170	532
1-MGH4 65/4 - 5.5	132S4C	100	80	1250	450	308	878	195	320	150	625	6x16	405	245	302
1-MGH4 65/4 - 7.5	132M4B	100	80	1250	450	308	878	195	320	150	625	6x16	405	245	323
1-MGH4 65/4 - 11	160M4B	100	80	1400	450	308	878	195	320	150	700	6x16	405	245	351
1-MGH 65/4 - 37	200L2B	100	80	1450	500	348	918	195	320	150	725	6x18	450	220	457
1-MGH 65/4 - 45	225M2A	100	80	1550	550	375	945	195	320	150	775	6x18	500	195	521
1-MGH 65/4 - 55	250M2A	100	80	1600	600	400	970	195	320	150	800	6x18	550	170	560
1-MGH 65/4 - 75	280S2	100	80	1750	650	452	1022	195	320	150	875	6x20	595	145	911
1-MGH4 65/5 - 5.5	132S4C	100	80	1300	450	308	878	195	391	150	650	6x16	405	245	324
1-MGH4 65/5 - 7.5	132M4B	100	80	1350	450	328	898	195	391	150	675	6x16	400	245	355
1-MGH4 65/5 - 11	160M4B	100	80	1450	450	328	898	195	391	150	725	6x16	400	245	381
1-MGH 65/5 - 45	225M2A	100	80	1600	550	375	945	195	391	150	800	6x18	500	195	544
1-MGH 65/5 - 55	250M2A	100	80	1650	600	400	970	195	391	150	825	6x18	550	170	584
1-MGH 65/5 - 75	280S2	100	80	1800	650	452	1022	195	391	150	900	6x20	595	145	936
1-MGH 65/5 - 90	280M2	100	80	1900	650	452	1022	195	391	150	950	6x20	595	145	996
1-MGH4 65/6 - 7.5	132M4B	100	80	1400	450	328	898	195	462	150	700	6x16	400	245	378
1-MGH4 65/6 - 11	160M4B	100	80	1500	450	328	898	195	462	150	750	6x16	400	245	404
1-MGH4 65/6 - 15	160L4A	100	80	1500	450	328	898	195	462	150	750	6x16	400	245	418
1-MGH 65/6 - 55	250M2A	100	80	1700	600	400	970	195	462	150	850	6x18	550	170	607
1-MGH 65/6 - 75	280S2	100	80	1900	650	452	1022	195	462	150	950	6x20	595	145	966
1-MGH 65/6 - 90	280M2	100	80	1950	650	472	1042	195	462	150	975	6x20	590	145	1033
1-MGH 65/6 - 110	315S2	100	80	2000	700	507	1077	195	462	150	1000	6x20	640	120	1245
1-MGH4 65/7 - 7.5	132M4B	100	80	1500	450	328	898	195	533	150	750	6x16	400	245	404
1-MGH4 65/7 - 11	160M4B	100	80	1600	450	328	898	195	533	150	800	6x18	400	245	430
1-MGH4 65/7 - 15	160L4A	100	80	1600	450	328	898	195	533	150	800	6x18	400	245	444
1-MGH 65/7 - 75	280S2	100	80	1950	650	452	1022	195	533	150	975	6x20	595	145	991
1-MGH 65/7 - 90	280M2	100	80	2000	650	472	1042	195	533	150	1000	6x20	590	145	1058
1-MGH 65/7 - 110	315S2	100	80	2100	700	507	1077	195	533	150	1050	6x20	640	120	1276

Dimensions



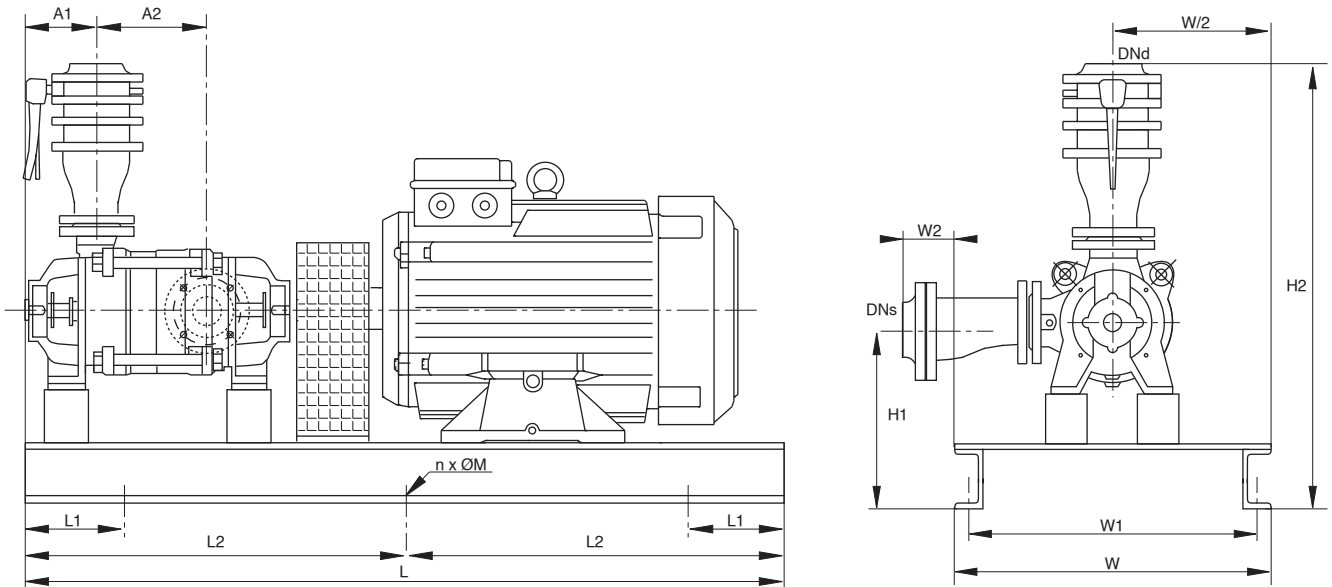
Pump type	Motor	DNs [mm]	DNd [mm]	L [mm]	W [mm]	H1 [mm]	H2 [mm]	A1 [mm]	A2 [mm]	L1 [mm]	L2 [mm]	n X M [nXØmm]	W1 [mm]	W2 [mm]	Weight [kg]
11-MGH4 65/8 - 11	160M4B	100	80	1650	450	328	898	195	604	150	825	6x18	400	245	453
1-MGH4 65/8 - 15	160L4A	100	80	1650	450	328	898	195	604	150	825	6x18	400	245	467
1-MGH4 65/8 - 18.5	180M4B	100	80	1700	450	330	900	195	604	150	850	6x18	400	245	511
1-MGH 65/8 - 75	280S2	100	80	2050	650	452	1022	195	604	150	1025	6x20	595	145	1021
1-MGH 65/8 - 90	280M2	100	80	2100	650	472	1042	195	604	150	1050	6x20	590	145	1089
1-MGH 65/8 - 110	315S2	100	80	2150	700	507	1077	195	604	150	1075	6x24	640	120	1301
1-MGH 65/8 - 132	315M2A	100	80	2200	700	507	1077	195	604	150	1100	6x24	640	120	1415
1-MGH4 65/9 - 11	160M4B	100	80	1750	450	328	898	195	675	150	875	6x18	400	245	479
1-MGH4 65/9 - 15	160L4A	100	80	1750	450	330	900	195	675	150	875	6x18	400	245	506
1-MGH4 65/9 - 18.5	180M4B	100	80	1800	450	330	900	195	675	150	900	6x18	400	245	538
1-MGH 65/9 - 90	280M2	100	80	2150	650	472	1042	195	675	150	1075	6x20	590	145	1114
1-MGH 65/9 - 110	315S2	100	80	2250	700	507	1077	195	675	150	1125	6x24	640	120	1332
1-MGH 65/9 - 132	315M2A	100	80	2300	700	507	1077	195	675	150	1150	6x24	640	120	1446
1-MGH 65/9 - 160	315M2B	100	80	2300	750	527	1097	195	675	150	1150	6x24	690	95	1597
1-MGH4 65/10 - 11	160M4B	100	80	1800	450	330	900	195	746	150	900	6x18	400	245	515
1-MGH4 65/10 - 15	160L4A	100	80	1800	450	330	900	195	746	150	900	6x18	400	245	529
1-MGH4 65/10 - 18.5	180M4B	100	80	1850	450	330	900	195	746	150	925	6x18	400	245	562
1-MGH4 65/10 - 22	180L4B	100	80	1850	450	330	900	195	746	150	925	6x18	400	245	570
1-MGH 65/10 - 90	280M2	100	80	2250	650	472	1042	195	746	150	1125	6x20	590	145	1145
1-MGH 65/10 - 110	315S2	100	80	2300	700	507	1077	195	746	150	1150	6x24	640	120	1358
1-MGH 65/10 - 132	315M2A	100	80	2350	700	507	1077	195	746	150	1175	6x24	640	120	1471
1-MGH 65/10 - 160	315M2B	100	80	2350	750	527	1097	195	746	150	1175	6x24	690	95	1623
1-MGH4 65/11 - 15	160L4A	100	80	1900	450	330	900	195	817	150	950	6x18	400	245	556
1-MGH4 65/11 - 18.5	180M4B	100	80	1900	450	330	900	195	817	150	950	6x18	400	245	585
1-MGH4 65/11 - 22	180L4B	100	80	1900	450	330	900	195	817	150	950	6x18	400	245	593
1-MGH4 80/2 - 4	112M4B	125	100	1150	550	338	993	250	195	100	-	4x16	505	285	307
1-MGH4 80/2 - 5.5	132S4C	125	100	1200	550	338	993	250	195	100	-	4x16	505	285	318
1-MGH4 80/2 - 7.5	132M4B	125	100	1250	550	338	993	250	195	150	625	6x16	505	285	342
1-MGH4 80/2 - 11	160M4B	125	100	1350	550	358	1013	250	195	150	675	6x16	500	285	370
1-MGH 80/2 - 30	200L2A	125	100	1450	550	358	1013	250	195	150	725	6x18	500	285	453
1-MGH 80/2 - 37	200L2B	125	100	1450	550	358	1013	250	195	150	725	6x18	500	285	472
1-MGH 80/2 - 45	225M2A	125	100	1500	550	375	1030	250	195	150	750	6x18	500	285	532
1-MGH 80/2 - 55	250M2A	125	100	1550	600	400	1055	250	195	150	775	6x18	550	260	571
1-MGH 80/2 - 75	280S2	125	100	1750	650	452	1107	250	195	150	875	6x20	595	235	926
1-MGH4 80/3 - 5.5	132S4C	125	100	1300	550	338	993	250	278	150	650	6x16	505	285	350
1-MGH4 80/3 - 7.5	132M4B	125	100	1350	550	358	1013	250	278	150	675	6x16	500	285	380
1-MGH4 80/3 - 11	160M4B	125	100	1450	550	358	1013	250	278	150	725	6x16	500	285	402
1-MGH4 80/3 - 15	160L4A	125	100	1450	550	358	1013	250	278	150	725	6x16	500	285	416
1-MGH 80/3 - 45	225M2A	125	100	1600	550	375	1030	250	278	150	800	6x18	500	285	565
1-MGH 80/3 - 55	250M2A	125	100	1650	600	400	1055	250	278	150	825	6x18	550	260	605
1-MGH 80/3 - 75	280S2	125	100	1800	650	452	1107	250	278	150	900	6x20	595	235	957
1-MGH 80/3 - 90	280M2	125	100	1850	650	452	1107	250	278	150	925	6x20	595	235	1012

Dimensions



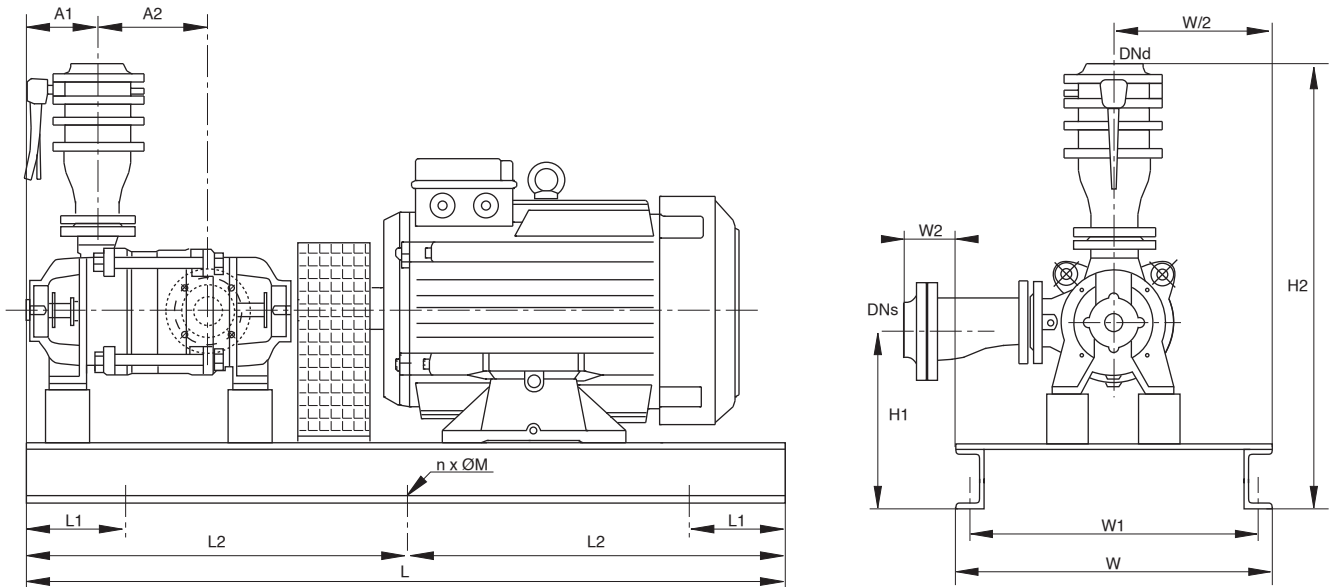
Pump type	Motor	DNs [mm]	DNd [mm]	L [mm]	W [mm]	H1 [mm]	H2 [mm]	A1 [mm]	A2 [mm]	L1 [mm]	L2 [mm]	n X M [nXØmm]	W1 [mm]	W2 [mm]	Weight [kg]
1-MGH4 80/4 - 7.5	132M4B	125	100	1400	550	358	1013	250	361	150	700	6x16	500	285	409
1-MGH4 80/4 - 11	160M4B	125	100	1550	550	358	1013	250	361	150	775	6x18	500	285	434
1-MGH4 80/4 - 15	160L4A	125	100	1550	550	358	1013	250	361	150	775	6x18	500	285	448
1-MGH4 80/4 - 18.5	180M4B	125	100	1550	550	360	1015	250	361	150	775	6x18	500	285	488
1-MGH 80/4 - 75	280S2	125	100	1900	650	452	1107	250	361	150	950	6x20	595	235	993
1-MGH 80/4 - 90	280M2	125	100	1950	650	472	1127	250	361	150	975	6x20	590	235	1060
1-MGH 80/4 - 110	315S2	125	100	2000	700	507	1162	250	361	150	1000	6x20	640	210	1272
1-MGH 80/4 - 132	315M2A	125	100	2050	700	507	1162	250	361	150	1025	6x24	640	210	1385
1-MGH4 80/5 - 11	160M4B	125	100	1600	550	358	1013	250	444	150	800	6x18	500	285	463
1-MGH4 80/5 - 15	160L4A	125	100	1600	550	358	1013	250	444	150	800	6x18	500	285	477
1-MGH4 80/5 - 18.5	180M4B	125	100	1650	550	360	1015	250	444	150	825	6x18	500	285	521
1-MGH4 80/5 - 22	180L4B	125	100	1650	550	360	1015	250	444	150	825	6x18	500	285	529
1-MGH 80/5 - 75	280S2	125	100	2000	650	452	1107	250	444	150	1000	6x20	595	235	1029
1-MGH 80/5 - 90	280M2	125	100	2050	650	472	1127	250	444	150	1025	6x20	590	235	1097
1-MGH 80/5 - 110	315S2	125	100	2100	700	507	1162	250	444	150	1050	6x24	640	210	1309
1-MGH 80/5 - 132	315M2A	125	100	2150	700	507	1162	250	444	150	1075	6x24	640	210	1422
1-MGH 80/5 - 160	315M2B	125	100	2150	750	527	1182	250	444	150	1075	6x24	690	185	1572
1-MGH4 80/6 - 11	160M4B	125	100	1700	550	360	1015	250	527	150	850	6x18	500	285	507
1-MGH4 80/6 - 15	160L4A	125	100	1700	550	360	1015	250	527	150	850	6x18	500	285	521
1-MGH4 80/6 - 18.5	180M4B	125	100	1750	550	360	1015	250	527	150	875	6x18	500	285	554
1-MGH4 80/6 - 22	180L4B	125	100	1750	550	360	1015	250	527	150	875	6x18	500	285	562
1-MGH4 80/6 - 30	200L4C	125	100	1750	550	380	1035	250	527	150	875	6x18	495	285	627
1-MGH 80/6 - 90	280M2	125	100	2100	650	472	1127	250	527	150	1050	6x20	590	235	1128
1-MGH 80/6 - 110	315S2	125	100	2200	700	507	1162	250	527	150	1100	6x24	640	210	1346
1-MGH 80/6 - 132	315M2A	125	100	2250	700	507	1162	250	527	150	1125	6x24	640	210	1459
1-MGH 80/6 - 160	315M2B	125	100	2250	750	527	1182	250	527	150	1125	6x24	690	185	1610
1-MGH 80/6 - 185	315L2A	125	100	2350	750	527	1182	250	527	150	1175	6x24	690	185	1722
1-MGH4 80/7 - 15	160L4A	125	100	1800	550	360	1015	250	610	150	900	6x18	500	285	554
1-MGH4 80/7 - 18.5	180M4B	125	100	1800	550	360	1015	250	610	150	900	6x18	500	285	583
1-MGH4 80/7 - 22	180L4B	125	100	1800	550	360	1015	250	610	150	900	6x18	500	285	591
1-MGH4 80/7 - 30	200L4C	125	100	1850	550	380	1035	250	610	150	925	6x18	495	285	661
1-MGH4 80/8 - 15	160L4A	125	100	1850	550	360	1015	250	693	150	925	6x18	500	285	584
1-MGH4 80/8 - 18.5	180M4B	125	100	1900	550	380	1035	250	693	150	950	6x18	495	285	634
1-MGH4 80/8 - 22	180L4B	125	100	1900	550	380	1035	250	693	150	950	6x18	495	285	642
1-MGH4 80/8 - 30	200L4C	125	100	1950	550	380	1035	250	693	150	975	6x18	495	285	695
1-MGH4 80/8 - 37	225S4A	125	100	2050	550	395	1050	250	693	150	1025	6x20	495	285	758
1-MGH4 80/8 - 45	225M4C	125	100	2050	550	395	1050	250	693	150	1025	6x20	495	285	795
1-MGH4 80/9 - 18.5	180M4B	125	100	2000	550	380	1035	250	776	150	1000	6x18	495	285	668
1-MGH4 80/9 - 22	180L4B	125	100	2000	550	380	1035	250	776	150	1000	6x18	495	285	676
1-MGH4 80/9 - 30	200L4C	125	100	2000	550	380	1035	250	776	150	1000	6x18	495	285	725
1-MGH4 80/9 - 37	225S4A	125	100	2100	550	395	1050	250	776	150	1050	6x20	495	285	788
1-MGH4 80/9 - 45	225M4C	125	100	2100	550	395	1050	250	776	150	1050	6x20	495	285	825

Dimensions



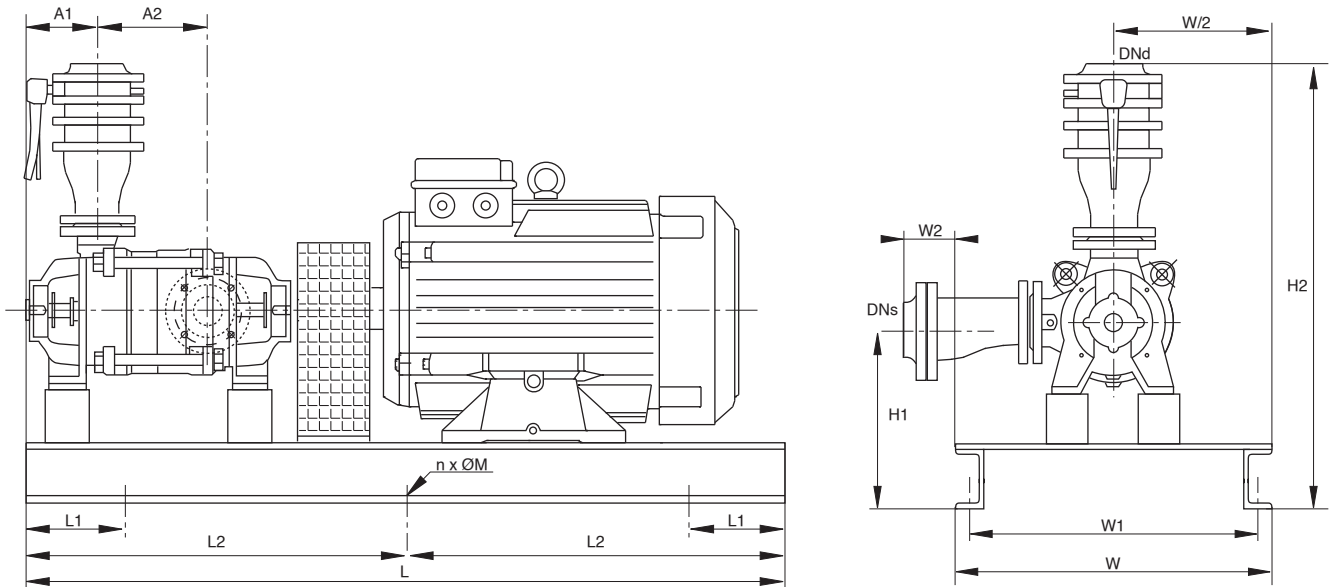
Pump type	Motor	DNs [mm]	DNd [mm]	L [mm]	W [mm]	H1 [mm]	H2 [mm]	A1 [mm]	A2 [mm]	L1 [mm]	L2 [mm]	n X M [nXØmm]	W1 [mm]	W2 [mm]	Weight [kg]
1-MGH4 80/10 - 18.5	180M4B	125	100	2050	550	380	1035	250	859	150	1025	6x18	495	285	698
1-MGH4 80/10 - 22	180L4B	125	100	2050	550	380	1035	250	859	150	1025	6x18	495	285	706
1-MGH4 80/10 - 30	200L4C	125	100	2100	550	380	1035	250	859	150	1050	6x20	495	285	758
1-MGH4 80/10 - 37	225S4A	125	100	2200	550	395	1050	250	859	150	1100	6x20	495	285	822
1-MGH4 80/10 - 45	225M4C	125	100	2200	550	395	1050	250	859	150	1100	6x20	495	285	859
1-MGH4 80/11 - 22	180L4B	125	100	2250	550	380	1035	325	942	150	1125	6x20	495	285	747
1-MGH4 80/11 - 30	200L4C	125	100	2250	550	380	1035	325	942	150	1125	6x20	495	285	796
1-MGH4 80/11 - 37	225S4A	125	100	2350	550	395	1050	325	942	150	1175	6x20	495	285	860
1-MGH4 80/11 - 45	225M4C	125	100	2350	550	397	1052	325	942	150	1175	6x20	495	285	917
1-MGH4 80/12 - 22	180L4B	125	100	2300	550	380	1035	325	1025	150	1150	6x20	495	285	777
1-MGH4 80/12 - 30	200L4C	125	100	2350	550	380	1035	325	1025	150	1175	6x20	495	285	830
1-MGH4 80/12 - 37	225S4A	125	100	2450	550	397	1052	325	1025	150	1225	6x20	495	285	915
1-MGH4 80/12 - 45	225M4C	125	100	2450	550	397	1052	325	1025	150	1225	6x20	495	285	952
1-MGH4 80/12 - 55	250M4C	125	100	2450	600	422	1077	325	1025	150	1225	6x20	545	260	984
1-MGH4 80/13 - 30	200L4C	125	100	2450	550	380	1035	325	1108	150	1225	6x20	495	285	863
1-MGH4 80/13 - 37	225S4A	125	100	2550	550	397	1052	325	1108	150	1275	6x20	495	285	950
1-MGH4 80/13 - 45	225M4C	125	100	2550	550	397	1052	325	1108	150	1275	6x20	495	285	987
1-MGH4 80/13 - 55	250M4C	125	100	2550	600	422	1077	325	1108	150	1275	6x20	545	260	1019
1-MGH 80/14 - 30	200L4C	125	100	2500	550	382	1037	325	1191	150	1250	6x20	495	285	913
1-MGH 80/14 - 37	225S4A	125	100	2600	550	397	1052	325	1191	150	1300	6x20	495	285	980
1-MGH 80/14 - 45	225M4C	125	100	2600	550	397	1052	325	1191	150	1300	6x20	495	285	1017
1-MGH 80/14 - 55	250M4C	125	100	2650	600	422	1077	325	1191	150	1325	6x20	545	260	1054
1-MGH 80/14 - 75	280S4	125	100	2800	650	472	1127	325	1191	150	1400	6x24	590	235	1350
1-MGH4 80/15 - 30	200L4C	125	100	2600	550	382	1037	325	1274	150	1300	6x20	495	285	947
1-MGH4 80/15 - 37	225S4A	125	100	2700	550	397	1052	325	1274	150	1350	6x20	495	285	1015
1-MGH4 80/15 - 45	225M4C	125	100	2700	550	397	1052	325	1274	150	1350	6x20	495	285	1052
1-MGH4 80/15 - 55	250M4C	125	100	2700	600	422	1077	325	1274	150	1350	6x20	545	260	1085
1-MGH4 80/15 - 75	280S4	125	100	2900	650	472	1127	325	1274	150	1450	6x24	590	235	1386
1-MGH4 100/2 - 15	160L4A	150	125	1500	600	400	1200	285	233	150	750	6x18	550	310	498
1-MGH4 100/2 - 18.5	180M4B	150	125	1550	600	400	1200	285	233	150	775	6x18	550	310	530
1-MGH4 100/2 - 22	180L4B	150	125	1550	600	400	1200	285	233	150	775	6x18	550	310	538
1-MGH4 100/2 - 30	200L4C	150	125	1600	600	400	1200	285	233	150	800	6x18	550	310	591
1-MGH4 100/3 - 22	180L4B	150	125	1650	600	400	1200	285	333	150	825	6x18	550	310	588
1-MGH4 100/3 - 30	200L4C	150	125	1700	600	420	1220	285	333	150	850	6x18	545	310	650
1-MGH4 100/3 - 37	225S4A	150	125	1800	600	420	1220	285	333	150	900	6x18	545	310	711
1-MGH4 100/4 - 30	200L4C	150	125	1800	600	420	1220	285	433	150	900	6x18	545	310	699
1-MGH4 100/4 - 37	225S4A	150	125	1900	600	420	1220	285	433	150	950	6x20	545	310	761
1-MGH4 100/4 - 45	225M4C	150	125	1900	600	420	1220	285	433	150	950	6x20	545	310	798
1-MGH4 100/4 - 55	250M4C	150	125	1900	600	420	1220	285	433	150	950	6x20	545	310	826
1-MGH4 100/5 - 37	225S4A	150	125	2000	600	420	1220	285	533	150	1000	6x20	545	310	812
1-MGH4 100/5 - 45	225M4C	150	125	2000	600	420	1220	285	533	150	1000	6x20	545	310	849
1-MGH4 100/5 - 55	250M4C	150	125	2000	600	422	1222	285	533	150	1000	6x20	545	310	895
1-MGH4 100/5 - 75	280S4	150	125	2150	650	472	1272	285	533	150	1075	6x20	590	285	1183

Dimensions



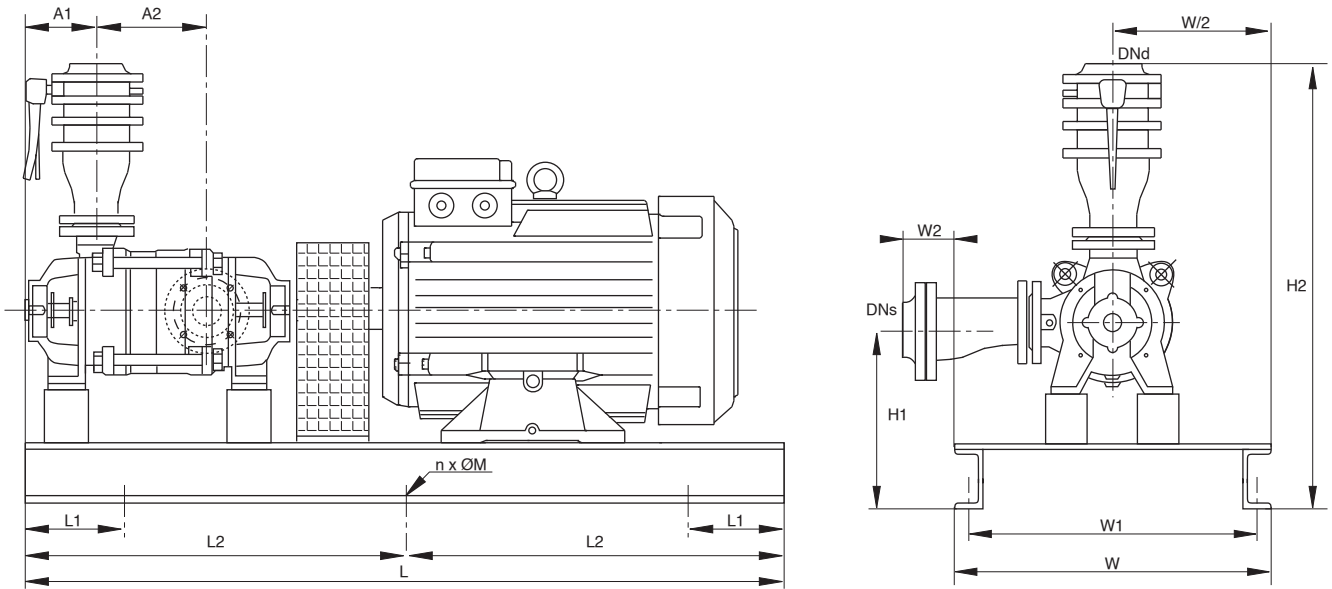
Pump type	Motor	DNs [mm]	DNd [mm]	L [mm]	W [mm]	H1 [mm]	H2 [mm]	A1 [mm]	A2 [mm]	L1 [mm]	L2 [mm]	n X M [nXØmm]	W1 [mm]	W2 [mm]	Weight [kg]
1-MGH4 100/6 - 45	225M4C	150	125	2100	600	422	1222	285	633	150	1050	6x20	545	310	917
1-MGH4 100/6 - 55	250M4C	150	125	2100	600	422	1222	285	633	150	1050	6x20	545	310	947
1-MGH4 100/6 - 75	280S4	150	125	2250	650	472	1272	285	633	150	1125	6x20	590	285	1236
1-MGH4 100/7 - 45	225M4C	150	125	2200	600	422	1222	285	733	150	1100	6x20	545	310	968
1-MGH4 100/7 - 55	250M4C	150	125	2200	600	422	1222	285	733	150	1100	6x20	545	310	998
1-MGH4 100/7 - 75	280S4	150	125	2350	650	472	1272	285	733	150	1175	6x20	590	285	1288
1-MGH4 100/7 - 90	280M4	150	125	2450	650	472	1272	285	733	150	1225	6x24	590	285	1379
1-MGH4 100/8 - 55	250M4C	150	125	2300	600	422	1222	285	833	150	1150	6x20	545	310	1049
1-MGH4 100/8 - 75	280S4	150	125	2450	650	472	1272	285	833	150	1225	6x24	590	285	1341
1-MGH4 100/8 - 90	280M4	150	125	2550	650	472	1272	285	833	150	1275	6x24	590	285	1431
1-MGH4 100/8 - 110	315S4	150	125	2600	750	527	1327	285	833	150	1300	6x24	690	235	1638
1-MGH4 100/9 - 75	280S4	150	125	2650	650	472	1272	370	933	150	1325	6x24	590	285	1404
1-MGH4 100/9 - 90	280M4	150	125	2700	650	472	1272	370	933	150	1350	6x24	590	285	1489
1-MGH4 100/9 - 110	315S4	150	125	2800	750	527	1327	370	933	150	1400	6x24	690	235	1705
1-MGH4 100/10 - 75	280S4	150	125	2750	650	472	1272	370	1033	150	1375	6x24	590	285	1456
1-MGH4 100/10 - 90	280M4	150	125	2800	650	472	1272	370	1033	150	1400	6x24	590	285	1542
1-MGH4 100/10 - 110	315S4	150	125	2900	750	527	1327	370	1033	150	1450	6x24	690	235	1759
1-MGH4 100/10 - 132	315M4A	150	125	2950	750	527	1327	370	1033	150	1475	6x24	690	235	1885
1-MGH4 100/11 - 75	280S4	150	125	2850	650	472	1272	370	1133	150	1425	6x24	590	285	1509
1-MGH4 100/11 - 90	280M4	150	125	2900	650	472	1272	370	1133	150	1450	6x24	590	285	1594
1-MGH4 100/11 - 110	315S4	150	125	3000	750	527	1327	370	1133	150	1500	6x24	690	235	1813
1-MGH4 100/11 - 132	315M4A	150	125	3050	750	527	1327	370	1133	150	1525	6x24	690	235	1939
1-MGH4 100/12 - 90	280M4	150	125	3000	700	492	1292	370	1233	150	1500	6x24	640	260	1681
1-MGH4 100/12 - 110	315S4	150	125	3100	750	527	1327	370	1233	150	1550	6x24	690	235	1867
1-MGH4 100/12 - 132	315M4A	150	125	3150	750	527	1327	370	1233	150	1575	6x24	690	235	1993
1-MGH4 100/12 - 160	315M4B	150	125	3150	750	527	1327	370	1233	150	1575	6x24	690	235	2118
1-MGH4 100/13 - 90	280M4	150	125	3100	700	492	1292	370	1333	150	1550	6x24	640	260	1734
1-MGH4 100/13 - 110	315S4	150	125	3200	750	527	1327	370	1333	150	1600	6x24	690	235	1921
1-MGH4 100/13 - 132	315M4A	150	125	3250	750	527	1327	370	1333	150	1625	6x24	690	235	2047
1-MGH4 100/13 - 160	315M4B	150	125	3250	750	527	1327	370	1333	150	1625	6x24	690	235	2172
1-MGH4 100/14 - 90	280M4	150	125	3200	700	492	1292	370	1433	150	1600	6x24	640	260	1788
1-MGH4 100/14 - 110	315S4	150	125	3300	750	527	1327	370	1433	150	1650	6x24	690	235	1975
1-MGH4 100/14 - 132	315M4A	150	125	3350	750	527	1327	370	1433	150	1675	6x24	690	235	2101
1-MGH4 100/14 - 160	315M4B	150	125	3350	750	527	1327	370	1433	150	1675	6x24	690	235	2226
1-MGH4 100/14 - 185	315L4A	150	125	3450	750	527	1327	370	1433	150	1725	6x24	690	235	2338
1-MGH4 100/15 - 110	315S4	150	125	3400	750	527	1327	370	1533	150	1700	6x24	690	235	2029
1-MGH4 100/15 - 132	315M4A	150	125	3450	750	527	1327	370	1533	150	1725	6x24	690	235	2155
1-MGH4 100/15 - 160	315M4B	150	125	3450	750	527	1327	370	1533	150	1725	6x24	690	235	2280
1-MGH4 100/15 - 185	315L4A	150	125	3550	750	527	1327	370	1533	150	1775	6x24	690	235	2392
1-MGH4 125/2 - 37	225S4A	200	150	1750	750	472	1382	300	280	150	875	6x20	695	335	923
1-MGH4 125/2 - 45	225M4C	200	150	1750	750	472	1382	300	280	150	875	6x20	695	335	960
1-MGH4 125/2 - 55	250M4C	200	150	1800	750	472	1382	300	280	150	900	6x20	695	335	984
1-MGH4 125/3 - 55	250M4C	200	150	1900	750	492	1402	300	395	150	950	6x20	690	335	1081
1-MGH4 125/3 - 75	280S4	200	150	2050	750	492	1402	300	395	150	1025	6x24	690	335	1356

Dimensions



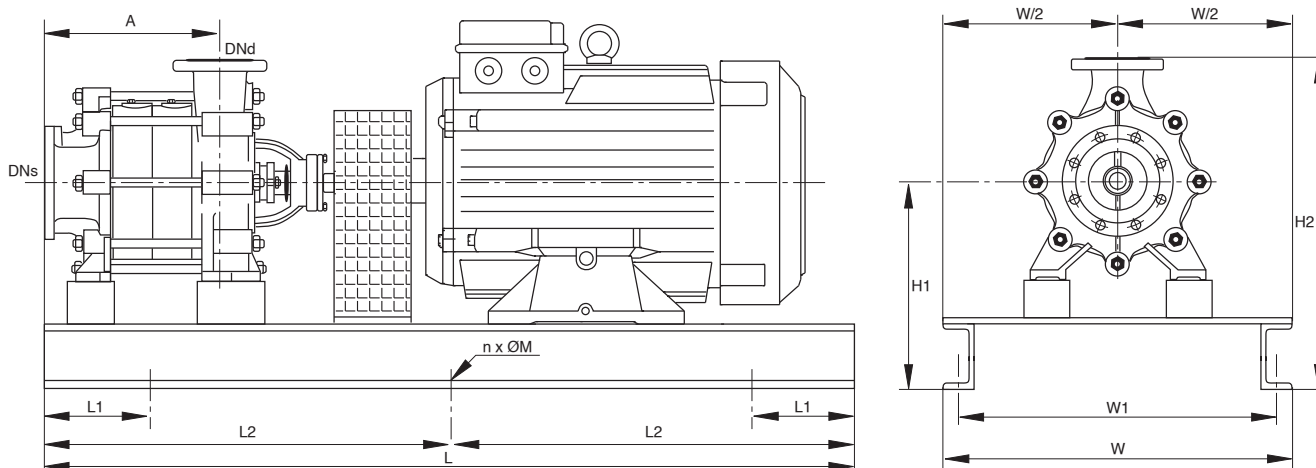
Pump type	Motor	DNs [mm]	DNd [mm]	L [mm]	W [mm]	H1 [mm]	H2 [mm]	A1 [mm]	A2 [mm]	L1 [mm]	L2 [mm]	n X M [nXØmm]	W1 [mm]	W2 [mm]	Weight [kg]
1-MGH4 125/4 - 75	280S4	200	150	2200	750	492	1402	300	510	150	1100	6x24	690	335	1447
1-MGH4 125/4 - 90	280M4	200	150	2250	750	492	1402	300	510	150	1125	6x24	690	335	1532
1-MGH4 125/4 - 110	315S4	200	150	2350	750	527	1437	300	510	150	1175	6x24	690	335	1740
1-MGH4 125/5 - 90	280M4	200	150	2350	750	512	1422	300	625	150	1175	6x24	690	335	1644
1-MGH4 125/5 - 110	315S4	200	150	2450	750	527	1437	300	625	150	1225	6x24	690	335	1827
1-MGH4 125/5 - 132	315M4A	200	150	2500	750	527	1437	300	625	150	1250	6x24	690	335	1953
1-MGH4 125/6 - 110	315S4	200	150	2550	750	527	1437	300	740	150	1275	6x24	690	335	1914
1-MGH4 125/6 - 132	315M4A	200	150	2600	750	527	1437	300	740	150	1300	6x24	690	335	2040
1-MGH4 125/6 - 160	315M4B	200	150	2600	750	527	1437	300	740	150	1300	6x24	690	335	2165
1-MGH4 125/7 - 132	315M4A	200	150	2800	750	527	1437	375	855	150	1400	6x24	690	335	2140
1-MGH4 125/7 - 160	315M4B	200	150	2800	750	527	1437	375	855	150	1400	6x24	690	335	2265
1-MGH4 125/7 - 185	315L4A	200	150	2900	750	527	1437	375	855	150	1450	6x24	690	335	2377
1-MGH4 125/8 - 160	315M4B	200	150	2950	750	527	1437	375	970	150	1475	6x24	690	335	2358
1-MGH4 125/8 - 185	315L4A	200	150	3000	750	527	1437	375	970	150	1500	6x24	690	335	2464
1-MGH4 125/8 - 200	315L4B	200	150	3000	750	527	1437	375	970	150	1500	6x24	690	335	2514
1-MGH4 125/9 - 160	315M4B	200	150	3050	750	527	1437	375	1085	150	1525	6x24	690	335	2445
1-MGH4 125/9 - 185	315L4A	200	150	3150	750	527	1437	375	1085	150	1575	6x24	690	335	2557
1-MGH4 125/9 - 200	315L4B	200	150	3150	750	527	1437	375	1085	150	1575	6x24	690	335	2607
1-MGH4 125/9 - 250	355M4A	200	150	3250	850	567	1477	375	1085	150	1625	6x24	790	285	2935
1-MGH4 125/10 - 185	315L4A	200	150	3250	750	527	1437	375	1200	150	1625	6x24	690	335	2644
1-MGH4 125/10 - 200	315L4B	200	150	3250	750	527	1437	375	1200	150	1625	6x24	690	335	2694
1-MGH4 125/10 - 250/	355M4A	200	150	3350	850	567	1477	375	1200	150	1675	6x24	790	285	3023
1-MGH4 125/11 - 200	315L4B	200	150	3350	750	527	1437	375	1315	150	1675	6x24	690	335	2781
1-MGH4 125/11 - 250	355M4A	200	150	3500	850	567	1477	375	1315	150	1750	6x24	790	285	3117
1-MGH4 125/11 - 315	355M4B	200	150	3500	850	567	1477	375	1315	150	1750	6x24	790	285	3324
1-MGH4 125/12 - 250	355M4A	200	150	3600	850	567	1477	375	1430	150	1800	6x24	790	285	3205
1-MGH4 125/12 - 315	355M4B	200	150	3600	850	567	1477	375	1430	150	1800	6x24	790	285	3412
1-MGH4 150/2 - 75	280S4	250	200	2200	850	562	1607	360	363	150	1100	6x24	790	375	1676
1-MGH4 150/2 - 90	280M4	250	200	2250	850	562	1607	360	363	150	1125	6x24	790	375	1762
1-MGH4 150/2 - 110	315S4	250	200	2350	850	562	1607	360	363	150	1175	6x24	790	375	1945
1-MGH4 150/2 - 132	315M4A	250	200	2400	850	562	1607	360	363	150	1200	6x24	790	375	2071
1-MGH4 150/3 - 90	280M4	250	200	2350	850	562	1607	360	508	150	1175	6x24	790	375	1894
1-MGH4 150/3 - 110	315S4	250	200	2450	850	562	1607	360	508	150	1225	6x24	790	375	2077
1-MGH4 150/3 - 132	315M4A	250	200	2500	850	562	1607	360	508	150	1250	6x24	790	375	2203
1-MGH4 150/3 - 160	315M4B	250	200	2500	850	562	1607	360	508	150	1250	6x24	790	375	2328
1-MGH4 150/3 - 185	315L4A	250	200	2600	850	562	1607	360	508	150	1300	6x24	790	375	2440
1-MGH4 150/4 - 132	315M4A	250	200	2650	850	562	1607	360	653	150	1325	6x24	790	375	2341
1-MGH4 150/4 - 160	315M4B	250	200	2650	850	562	1607	360	653	150	1325	6x24	790	375	2466
1-MGH4 150/4 - 185	315L4A	250	200	2750	850	562	1607	360	653	150	1375	6x24	790	375	2578
1-MGH4 150/4 - 200	315L4B	250	200	2750	850	562	1607	360	653	150	1375	6x24	790	375	2628
1-MGH4 150/4 - 250	355M4A	250	200	2900	850	567	1612	360	653	150	1450	6x24	790	375	2959

Dimensions



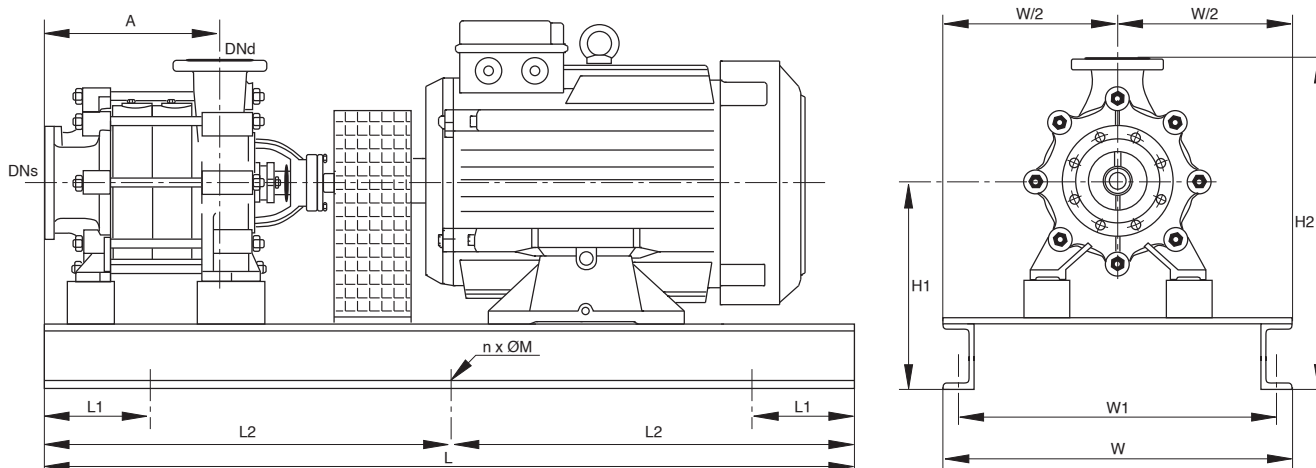
Pump type	Motor	DNs [mm]	DNd [mm]	L [mm]	W [mm]	H1 [mm]	H2 [mm]	A1 [mm]	A2 [mm]	L1 [mm]	L2 [mm]	n X M [nXØmm]	W1 [mm]	W2 [mm]	Weight [kg]
1-MGH4 150/5 - 160	315M4B	250	200	2800	850	562	1607	360	798	150	1400	6x24	790	375	2605
1-MGH4 150/5 - 185	315L4A	250	200	2900	850	562	1607	360	798	150	1450	6x24	790	375	2717
1-MGH4 150/5 - 200	315L4B	250	200	2900	850	562	1607	360	798	150	1450	6x24	790	375	2767
1-MGH4 150/5 - 250	355M4A	250	200	3000	850	567	1612	360	798	150	1500	6x24	790	375	3092
1-MGH4 150/5 - 315	355M4B	250	200	3000	850	567	1612	360	798	150	1500	6x24	790	375	3299
1-MGH4 150/6 - 185	315L4A	250	200	3150	850	562	1607	460	943	150	1575	6x24	790	375	2867
1-MGH4 150/6 - 200	315L4B	250	200	3150	850	562	1607	460	943	150	1575	6x24	790	375	2917
1-MGH4 150/6 - 250	355M4A	250	200	3250	850	567	1612	460	943	150	1625	6x24	790	375	3245
1-MGH4 150/6 - 315	355M4B	250	200	3250	850	567	1612	460	943	150	1625	6x24	790	375	3452
1-MGH4 150/7 - 250	355M4A	250	200	3400	850	567	1612	460	1088	150	1700	6x24	790	375	3384
1-MGH4 150/8 - 250	355M4A	250	200	3550	850	567	1612	460	1233	150	1775	6x24	790	375	3524
1-MGH4 150/9 - 315	355M4B	250	200	3700	850	567	1612	460	1378	150	1850	6x24	790	375	3870
1-MGH4 150/10 - 315	355M4B	250	200	3850	850	567	1612	460	1523	150	1925	6x24	790	375	4010

Dimensions



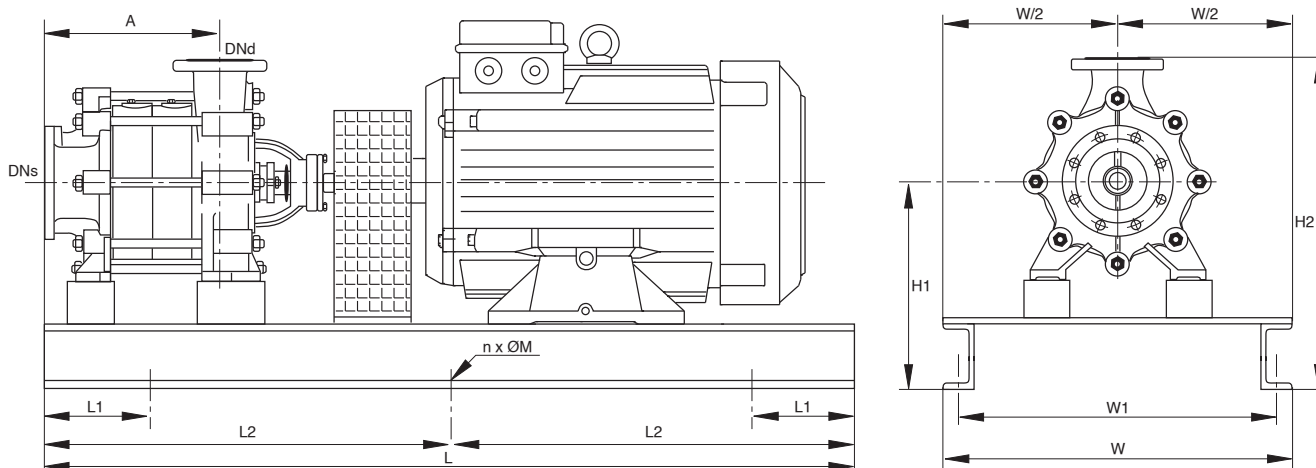
Pump type	Motor	DNs [mm]	DNd [mm]	L [mm]	W [mm]	H1 [mm]	H2 [mm]	A [mm]	L1 [mm]	L2 [mm]	n X M [nXØmm]	W1 [mm]	Weight [kg]
MGH4-E 40/2 - 0,55	80M4A	65	40	700	350	246	421	187	100	350	4x16	310	107
MGH4-E 40/2 - 0,75	80M4B	65	40	700	350	246	421	187	100	350	4x16	310	108
MGH4-E 40/2 - 1,1	90S4A	65	40	750	350	246	421	187	100	375	4x16	310	111
MGH-E 40/2 - 4	112M2A	65	40	800	350	266	441	187	100	400	4x16	310	132
MGH-E 40/2 - 5,5	132S2A	65	40	900	400	266	441	187	100	450	4x16	360	143
MGH-E 40/2 - 7,5	132S2C	65	40	900	400	266	441	187	100	450	4x16	360	150
MGH-E 40/2 - 11	160M2A	65	40	1000	450	266	441	187	100	500	4x16	410	184
MGH4-E 40/3 - 0,75	80M4B	65	40	750	350	246	421	242	100	375	4x16	310	119
MGH4-E 40/3 - 1,1	90S4A	65	40	800	350	266	441	242	100	400	4x16	310	126
MGH4-E 40/3 - 1,5	90L4A	65	40	800	350	266	441	242	100	400	4x16	310	128
MGH4-E 40/3 - 2,2	100L4A	65	40	850	350	266	441	242	100	425	4x16	310	136
MGH-E 40/3 - 5,5	132S2A	65	40	900	400	266	441	242	100	450	4x16	360	153
MGH-E 40/3 - 7,5	132S2C	65	40	900	400	266	441	242	100	450	4x16	360	160
MGH-E 40/3 - 11	160M2A	65	40	1100	450	288	463	242	100	550	4x16	405	212
MGH-E 40/3 - 15	160M2B	65	40	1100	450	288	463	242	100	550	4x16	405	219
MGH4-E 40/4 - 1,1	90S4A	65	40	850	350	266	441	297	100	425	4x16	310	137
MGH4-E 40/4 - 1,5	90L4A	65	40	850	350	266	441	297	100	425	4x16	310	139
MGH4-E 40/4 - 2,2	100L4A	65	40	900	350	266	441	297	100	450	4x16	310	147
MGH-E 40/4 - 7,5	132S2C	65	40	1000	400	266	441	297	100	500	4x16	360	173
MGH-E 40/4 - 11	160M2A	65	40	1150	450	288	463	297	100	575	4x16	405	224
MGH-E 40/4 - 15	160M2B	65	40	1150	450	288	463	297	100	575	4x16	405	231
MGH-E 40/4 - 18,5	160L2A	65	40	1150	450	288	463	297	100	575	4x16	405	246
MGH4-E 40/5 - 1,1	90S4A	65	40	900	350	266	441	352	100	450	4x16	310	148
MGH4-E 40/5 - 1,5	90L4A	65	40	900	350	266	441	352	100	450	4x16	310	150
MGH4-E 40/5 - 2,2	100L4A	65	40	950	350	266	441	352	100	475	4x16	310	158
MGH4-E 40/5 - 3	100L4B	65	40	950	350	266	441	352	100	475	4x16	310	161
MGH-E 40/5 - 11	160M2A	65	40	1200	450	288	463	352	100	600	4x16	405	237
MGH-E 40/5 - 15	160M2B	65	40	1200	450	288	463	352	100	600	4x16	405	244
MGH-E 40/5 - 18,5	160L2A	65	40	1200	450	288	463	352	100	600	4x16	405	259
MGH-E 40/5 - 22	180M2A	65	40	1200	450	308	483	352	100	600	4x16	405	282
MGH4-E 40/6 - 1,5	90L4A	65	40	950	350	266	441	407	100	475	4x16	310	162
MGH4-E 40/6 - 2,2	100L4A	65	40	1000	350	266	441	407	100	500	4x16	310	170
MGH4-E 40/6 - 3	100L4B	65	40	1000	350	266	441	407	100	500	4x16	310	173
MGH4-E 40/6 - 4	112M4B	65	40	1050	350	266	441	407	100	525	4x16	310	182
MGH-E 40/6 - 11	160M2A	65	40	1250	450	288	463	407	150	625	4x16	405	249
MGH-E 40/6 - 15	160M2B	65	40	1250	450	288	463	407	150	625	4x16	405	256
MGH-E 40/6 - 18,5	160L2A	65	40	1250	450	288	463	407	150	625	4x16	405	271
MGH-E 40/6 - 22	180M2A	65	40	1300	450	308	483	407	150	650	4x16	405	297
MGH-E 40/6 - 30	200L2A	65	40	1300	500	348	523	407	150	650	4x16	450	341
MGH4-E 40/7 - 2,2	100L4A	65	40	1100	350	266	441	462	100	550	4x16	310	183
MGH4-E 40/7 - 3	100L4B	65	40	1100	350	266	441	462	100	550	4x16	310	186
MGH4-E 40/7 - 4	112M4B	65	40	1100	400	288	463	462	100	550	4x16	355	209
MGH-E 40/7 - 15	160M2B	65	40	1300	450	288	463	462	150	650	4x16	405	268
MGH-E 40/7 - 18,5	160L2A	65	40	1300	450	288	463	462	150	650	4x16	405	283
MGH-E 40/7 - 22	180M2A	65	40	1350	450	308	483	462	150	675	4x16	405	309
MGH-E 40/7 - 30	200L2A	65	40	1350	500	348	523	462	150	675	6x16	450	354

Dimensions



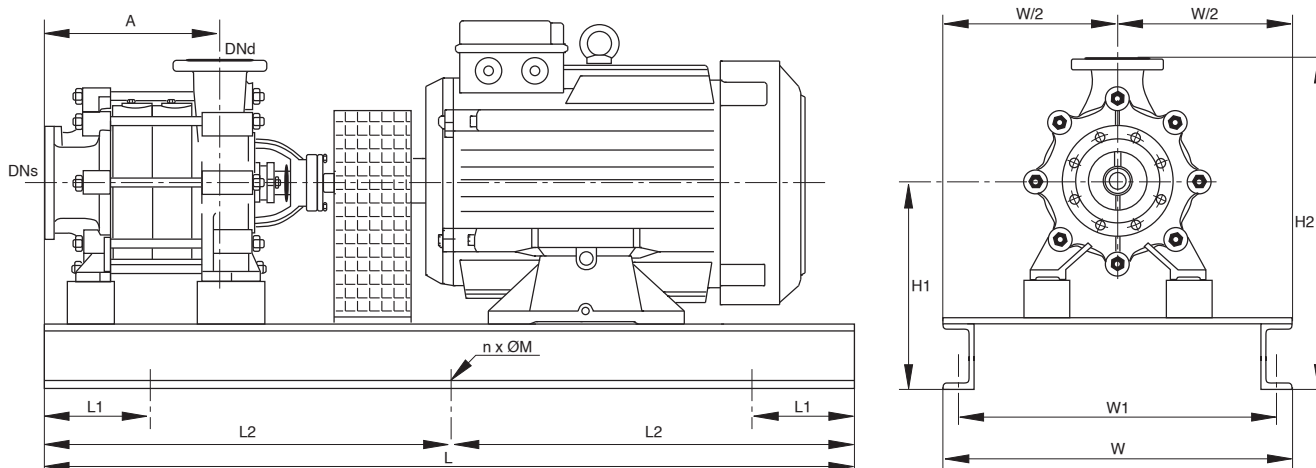
Pump type	Motor	DNs [mm]	DNd [mm]	L [mm]	W [mm]	H1 [mm]	H2 [mm]	A [mm]	L1 [mm]	L2 [mm]	n X M [nXØmm]	W1 [mm]	Weight [kg]
MGH4-E 40/8 - 2,2	100L4A	65	40	1100	350	288	463	517	100	550	4x16	305	205
MGH4-E 40/8 - 3	100L4B	65	40	1100	350	288	463	517	100	550	4x16	305	208
MGH4-E 40/8 - 4	112M4B	65	40	1150	400	288	463	517	100	575	4x16	355	221
MGH4-E 40/8 - 5,5	132S4C	65	40	1200	400	288	463	517	100	600	4x16	355	231
MGH-E 40/8 - 15	160M2B	65	40	1350	450	288	463	517	150	675	4x16	405	280
MGH-E 40/8 - 18,5	160L2A	65	40	1350	450	288	463	517	150	675	4x16	405	295
MGH-E 40/8 - 22	180M2A	65	40	1400	450	308	483	517	150	700	4x16	405	321
MGH-E 40/8 - 30	200L2A	65	40	1450	500	348	523	517	150	725	6x16	450	370
MGH-E 40/8 - 37	200L2B	65	40	1450	500	348	523	517	150	725	6x16	450	389
MGH4-E 40/9 - 2,2	100L4A	65	40	1200	350	288	463	572	100	600	4x16	305	219
MGH4-E 40/9 - 3	100L4B	65	40	1200	350	288	463	572	100	600	4x16	305	222
MGH4-E 40/9 - 4	112M4B	65	40	1200	400	288	463	572	100	600	4x16	355	233
MGH4-E 40/9 - 5,5	132S4C	65	40	1250	400	288	463	572	150	625	4x16	355	243
MGH-E 40/9 - 18,5	160L2A	65	40	1400	450	288	463	572	150	700	4x16	405	308
MGH-E 40/9 - 22	180M2A	65	40	1450	450	328	503	572	150	725	4x16	400	341
MGH-E 40/9 - 30	200L2A	65	40	1500	500	348	523	572	150	750	6x16	450	383
MGH-E 40/9 - 37	200L2B	65	40	1500	500	348	523	572	150	750	6x16	450	402
MGH4-E 40/10 - 2,2	100L4A	65	40	1250	350	288	463	627	150	625	4x16	305	231
MGH4-E 40/10 - 3	100L4B	65	40	1250	350	288	463	627	150	625	4x16	305	234
MGH4-E 40/10 - 4	112M4B	65	40	1250	400	288	463	627	150	625	4x16	355	245
MGH4-E 40/10 - 5,5	132S4C	65	40	1300	400	288	463	627	150	650	4x16	355	255
MGH-E 40/10 - 18,5	160L2A	65	40	1450	450	288	463	627	150	725	4x16	405	320
MGH-E 40/10 - 22	180M2A	65	40	1500	450	328	503	627	150	750	6x16	400	353
MGH-E 40/10 - 30	200L2A	65	40	1550	500	348	523	627	150	775	6x16	450	395
MGH-E 40/10 - 37	200L2B	65	40	1550	500	348	523	627	150	775	6x16	450	414
MGH-E 40/10 - 45	225M2A	65	40	1600	550	375	550	627	150	800	6x16	500	475
MGH4-E 40/11 - 3	100L4B	65	40	1300	350	288	463	682	150	650	4x16	305	246
MGH4-E 40/11 - 4	112M4B	65	40	1300	400	288	463	682	150	650	4x16	355	257
MGH4-E 40/11 - 5,5	132S4C	65	40	1350	400	288	463	682	150	675	4x16	355	268
MGH4-E 40/11 - 7,5	132M4B	65	40	1400	400	288	463	682	150	700	4x16	355	291
MGH-E 40/11 - 22	180M2A	65	40	1550	450	328	503	682	150	775	6x16	400	366
MGH-E 40/11 - 30	200L2A	65	40	1600	500	348	523	682	150	800	6x16	450	408
MGH-E 40/11 - 37	200L2B	65	40	1600	500	348	523	682	150	800	6x16	450	427
MGH-E 40/11 - 45	225M2A	65	40	1650	550	375	550	682	150	825	6x16	500	489
MGH4-E 40/12 - 3	100L4B	65	40	1350	350	288	463	737	150	675	4x16	305	258
MGH4-E 40/12 - 4	112M4B	65	40	1350	400	288	463	737	150	675	4x16	355	269
MGH4-E 40/12 - 5,5	132S4C	65	40	1400	400	288	463	737	150	700	4x16	355	280
MGH4-E 40/12 - 7,5	132M4B	65	40	1450	400	288	463	737	150	725	4x16	355	303
MGH4-E 40/13 - 3	100L4B	65	40	1400	350	288	463	792	150	700	4x16	305	270
MGH4-E 40/13 - 4	112M4B	65	40	1400	400	288	463	792	150	700	4x16	355	281
MGH4-E 40/13 - 5,5	132S4C	65	40	1500	400	288	463	792	150	750	4x16	355	294
MGH4-E 40/13 - 7,5	132M4B	65	40	1500	400	288	463	792	150	750	4x16	355	315
MGH4-E 50/2 - 1,1	90S4A	80	50	800	400	266	456	212	100	400	4x16	360	153
MGH4-E 50/2 - 1,5	90L4A	80	50	800	400	266	456	212	100	400	4x16	360	155
MGH4-E 50/2 - 2,2	100L4A	80	50	850	400	266	456	212	100	425	4x16	360	163
MGH-E 50/2 - 7,5	132S2C	80	50	900	400	288	478	212	100	450	4x16	355	196
MGH-E 50/2 - 11	160M2A	80	50	1050	450	288	478	212	100	525	4x16	405	235
MGH-E 50/2 - 15	160M2B	80	50	1050	450	288	478	212	100	525	4x16	405	242

Dimensions



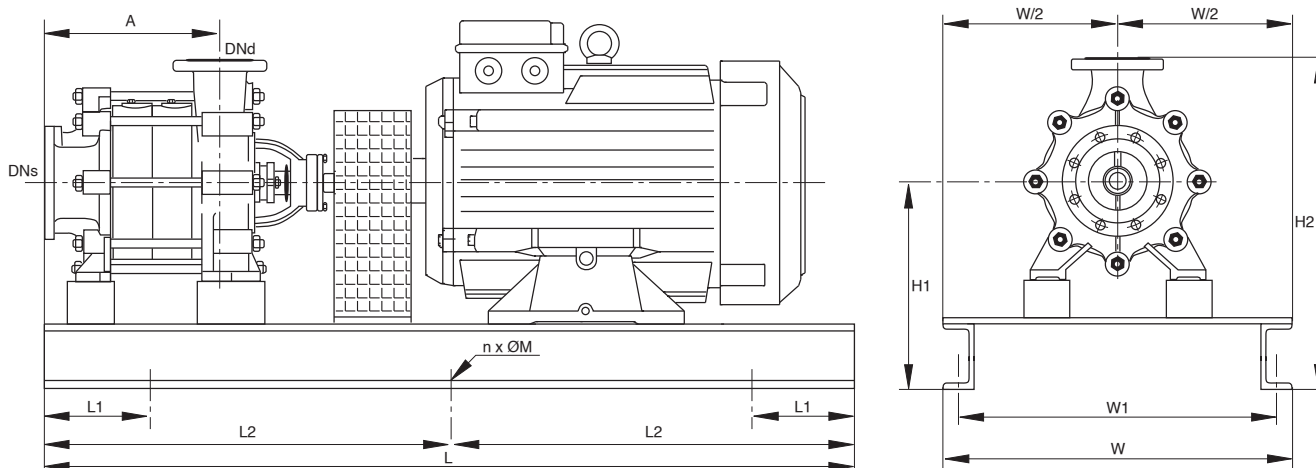
Pump type	Motor	DNs [mm]	DNd [mm]	L [mm]	W [mm]	H1 [mm]	H2 [mm]	A [mm]	L1 [mm]	L2 [mm]	n x M [nXØmm]	W1 [mm]	Weight [kg]
MGH4-E 50/3 - 1,5	90L4A	80	50	850	400	266	456	274	100	425	4x16	360	170
MGH4-E 50/3 - 2,2	100L4A	80	50	900	400	266	456	274	100	450	4x16	360	178
MGH4-E 50/3 - 3	100L4B	80	50	900	400	288	478	274	100	450	4x16	355	192
MGH-E 50/3 - 11	160M2A	80	50	1150	450	288	478	274	100	575	4x16	405	253
MGH-E 50/3 - 15	160M2B	80	50	1150	450	288	478	274	100	575	4x16	405	260
MGH-E 50/3 - 18,5	160L2A	80	50	1150	450	288	478	274	100	575	4x16	405	275
MGH-E 50/3 - 22	180M2A	80	50	1150	450	308	498	274	100	575	4x16	405	298
MGH4-E 50/4 - 2,2	100L4A	80	50	950	400	288	478	336	100	475	4x16	355	204
MGH4-E 50/4 - 3	100L4B	80	50	950	400	288	478	336	100	475	4x16	355	207
MGH4-E 50/4 - 4	112M4B	80	50	1000	400	288	478	336	100	500	4x16	355	217
MGH-E 50/4 - 15	160M2B	80	50	1200	450	288	478	336	100	600	4x16	405	276
MGH-E 50/4 - 18,5	160L2A	80	50	1200	450	288	478	336	100	600	4x16	405	291
MGH-E 50/4 - 22	180M2A	80	50	1250	450	328	518	336	150	625	4x16	400	323
MGH-E 50/4 - 30	200L2A	80	50	1250	500	348	538	336	150	625	6x16	450	361
MGH4-E 50/5 - 2,2	100L4A	80	50	1050	400	288	478	398	100	525	4x16	355	223
MGH4-E 50/5 - 3	100L4B	80	50	1050	400	288	478	398	100	525	4x16	355	226
MGH4-E 50/5 - 4	112M4B	80	50	1050	400	288	478	398	100	525	4x16	355	233
MGH4-E 50/5 - 5,5	132S4C	80	50	1100	400	288	478	398	100	550	4x16	355	243
MGH-E 50/5 - 18,5	160L2A	80	50	1250	450	288	478	398	150	625	4x16	405	307
MGH-E 50/5 - 22	180M2A	80	50	1300	450	328	518	398	150	650	4x16	400	339
MGH-E 50/5 - 30	200L2A	80	50	1350	500	348	538	398	150	675	6x16	450	381
MGH-E 50/5 - 37	200L2B	80	50	1350	500	348	538	398	150	675	6x16	450	400
MGH-E 50/6 - 22	180M2A	80	50	1350	450	328	518	460	150	675	6x16	400	355
MGH4-E 50/6 - 3	100L4B	80	50	1100	400	288	478	460	100	550	4x16	355	241
MGH4-E 50/6 - 4	112M4B	80	50	1100	400	288	478	460	100	550	4x16	355	248
MGH4-E 50/6 - 5,5	132S4C	80	50	1150	400	288	478	460	100	575	4x16	355	259
MGH4-E 50/6 - 7,5	132M4B	80	50	1200	400	288	478	460	100	600	4x16	355	282
MGH-E 50/6 - 30	200L2A	80	50	1400	500	348	538	460	150	700	6x16	450	397
MGH-E 50/6 - 37	200L2B	80	50	1400	500	348	538	460	150	700	6x16	450	416
MGH-E 50/6 - 45	225M2A	80	50	1450	550	375	565	460	150	725	6x16	500	475
MGH4-E 50/7 - 3	100L4B	80	50	1150	400	288	478	522	100	575	4x16	355	257
MGH4-E 50/7 - 4	112M4B	80	50	1200	400	288	478	522	100	600	4x16	355	266
MGH4-E 50/7 - 5,5	132S4C	80	50	1250	400	288	478	522	150	625	4x16	355	277
MGH4-E 50/7 - 7,5	132M4B	80	50	1250	400	288	478	522	150	625	4x16	355	298
MGH-E 50/7 - 30	200L2A	80	50	1450	500	348	538	522	150	725	6x16	450	413
MGH-E 50/7 - 37	200L2B	80	50	1450	500	348	538	522	150	725	6x16	450	432
MGH-E 50/7 - 45	225M2A	80	50	1550	550	375	565	522	150	775	6x16	500	496
MGH-E 50/7 - 55	250M2A	80	50	1550	600	400	590	522	150	775	6x18	550	531
MGH4-E 50/8 - 4	112M4B	80	50	1250	400	288	478	584	150	625	4x16	355	282
MGH4-E 50/8 - 5,5	132S4C	80	50	1300	400	288	478	584	150	650	4x16	355	292
MGH4-E 50/8 - 7,5	132M4B	80	50	1350	400	308	498	584	150	675	4x16	350	323
MGH4-E 50/8 - 11	160M4B	80	50	1450	450	308	498	584	150	725	4x16	400	349
MGH-E 50/8 - 30	200L2A	80	50	1500	500	348	538	584	150	750	6x16	450	429
MGH-E 50/8 - 37	200L2B	80	50	1500	500	350	540	584	150	750	6x16	450	460
MGH-E 50/8 - 45	225M2A	80	50	1600	550	375	565	584	150	800	6x18	500	512
MGH-E 50/8 - 55	250M2A	80	50	1650	600	400	590	584	150	825	6x18	550	552
MGH-E 50/8 - 75	280S2	80	50	1800	650	452	642	584	150	900	6x18	595	904

Dimensions



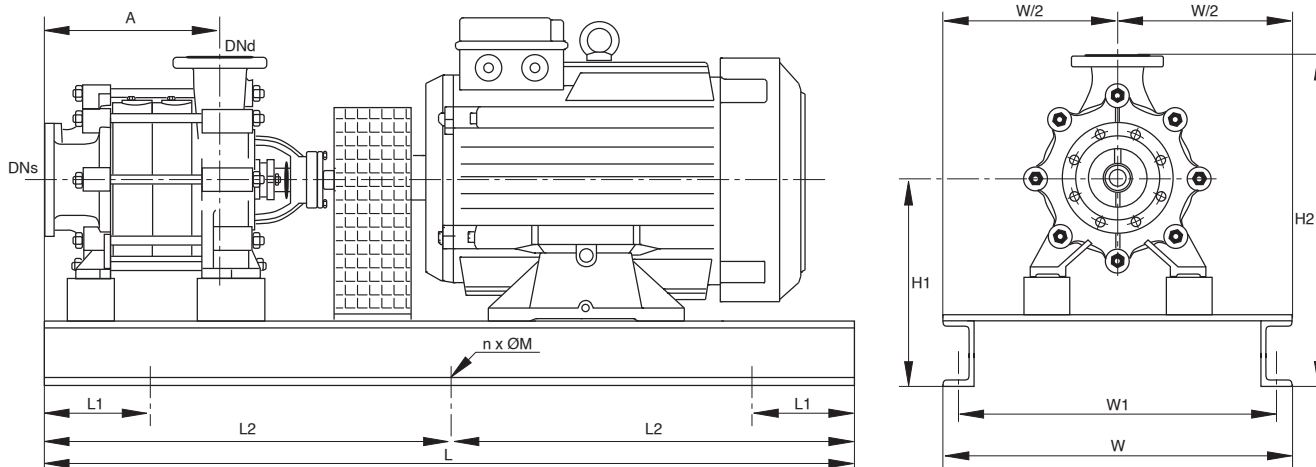
Pump type	Motor	DNs [mm]	DNd [mm]	L [mm]	W [mm]	H1 [mm]	H2 [mm]	A [mm]	L1 [mm]	L2 [mm]	n x M [nXØmm]	W1 [mm]	Weight [kg]
MGH4-E 50/9 - 4	112M4B	80	50	1300	400	288	478	646	150	650	4x16	355	297
MGH4-E 50/9 - 5,5	132S4C	80	50	1350	400	288	478	646	150	675	4x16	355	308
MGH4-E 50/9 - 7,5	132M4B	80	50	1400	400	308	498	646	150	700	4x16	350	339
MGH4-E 50/9 - 11	160M4B	80	50	1500	450	308	498	646	150	750	6x16	400	365
MGH-E 50/9 - 30	200L2A	80	50	1600	500	350	540	646	150	800	6x16	450	461
MGH-E 50/9 - 37	200L2B	80	50	1600	500	350	540	646	150	800	6x16	450	480
MGH-E 50/9 - 45	225M2A	80	50	1650	550	375	565	646	150	825	6x18	500	529
MGH-E 50/9 - 55	250M2A	80	50	1700	600	400	590	646	150	850	6x18	550	568
MGH-E 50/9 - 75	280S2	80	50	1850	650	452	642	646	150	925	6x18	595	922
MGH4-E 50/10 - 4	112M4B	80	50	1350	400	308	498	708	150	675	4x16	350	320
MGH4-E 50/10 - 5,5	132S4C	80	50	1400	400	308	498	708	150	700	4x16	350	331
MGH4-E 50/10 - 7,5	132M4B	80	50	1450	400	308	498	708	150	725	6x16	350	355
MGH4-E 50/10 - 11	160M4B	80	50	1550	450	308	498	708	150	775	6x16	400	381
MGH4-E 50/11 - 5,5	132S4C	80	50	1500	400	308	498	770	150	750	4x16	350	350
MGH4-E 50/11 - 7,5	132M4B	80	50	1500	400	308	498	770	150	750	6x16	350	371
MGH4-E 50/11 - 11	160M4B	80	50	1600	450	308	498	770	150	800	6x16	400	397
MGH4-E 50/12 - 5,5	132S4C	80	50	1550	400	308	498	832	150	775	6x16	350	366
MGH4-E 50/12 - 7,5	132M4B	80	50	1600	400	308	498	832	150	800	6x16	350	389
MGH4-E 50/12 - 11	160M4B	80	50	1700	450	308	498	832	150	850	6x16	400	416
MGH4-E 50/12 - 15	160L4A	80	50	1700	450	308	498	832	150	850	6x16	400	430
MGH4-E 65/2 - 2,2	100L4A	100	65	900	450	308	523	247	100	450	4x16	405	196
MGH4-E 65/2 - 3	100L4B	100	65	900	450	308	523	247	100	450	4x16	405	199
MGH4-E 65/2 - 4	112M4B	100	65	900	450	308	523	247	100	450	4x16	405	206
MGH-E 65/2 - 18,5	160L2A	100	65	1100	450	308	523	247	100	550	4x16	405	277
MGH-E 65/2 - 22	180M2A	100	65	1150	450	308	523	247	100	575	4x16	405	302
MGH-E 65/2 - 30	200L2A	100	65	1200	500	348	563	247	100	600	4x16	450	349
MGH-E 65/2 - 37	200L2B	100	65	1200	500	348	563	247	100	600	6x16	450	368
MGH4-E 65/3 - 4	112M4B	100	65	1000	450	308	523	318	100	500	4x16	405	231
MGH4-E 65/3 - 5,5	132S4C	100	65	1050	450	308	523	318	100	525	4x16	405	242
MGH4-E 65/3 - 7,5	132M4B	100	65	1100	450	308	523	318	100	550	4x16	405	266
MGH-E 65/3 - 30	200L2A	100	65	1250	500	348	563	318	150	625	6x16	450	372
MGH-E 65/3 - 37	200L2B	100	65	1250	500	348	563	318	150	625	6x16	450	391
MGH-E 65/3 - 45	225M2A	100	65	1350	550	375	590	318	150	675	6x16	500	452
MGH-E 65/3 - 55	250M2A	100	65	1400	600	400	615	318	150	700	6x16	550	491
MGH4-E 65/4 - 5,5	132S4C	100	65	1100	450	308	523	389	100	550	4x16	405	265
MGH4-E 65/4 - 7,5	132M4B	100	65	1150	450	308	523	389	100	575	4x16	405	288
MGH4-E 65/4 - 11	160M4B	100	65	1250	450	308	523	389	150	625	4x16	405	310
MGH-E 65/4 - 37	200L2B	100	65	1350	500	348	563	389	150	675	6x16	450	418
MGH-E 65/4 - 45	225M2A	100	65	1400	550	375	590	389	150	700	6x16	500	476
MGH-E 65/4 - 55	250M2A	100	65	1450	600	400	615	389	150	725	6x18	550	515
MGH-E 65/4 - 75	280S2	100	65	1650	650	452	667	389	150	825	6x18	595	868
MGH4-E 65/5 - 5,5	132S4C	100	65	1200	450	308	523	460	100	600	4x16	405	290
MGH4-E 65/5 - 7,5	132M4B	100	65	1200	450	328	543	460	100	600	4x16	400	317
MGH4-E 65/5 - 11	160M4B	100	65	1350	450	328	543	460	150	675	4x16	400	342
MGH-E 65/5 - 45	225M2A	100	65	1500	550	375	590	460	150	750	6x18	500	504
MGH-E 65/5 - 55	250M2A	100	65	1550	600	400	615	460	150	775	6x18	550	543
MGH-E 65/5 - 75	280S2	100	65	1700	650	452	667	460	150	850	6x18	595	893
MGH-E 65/5 - 90	280M2	100	65	1750	650	452	667	460	150	875	6x18	595	948

Dimensions



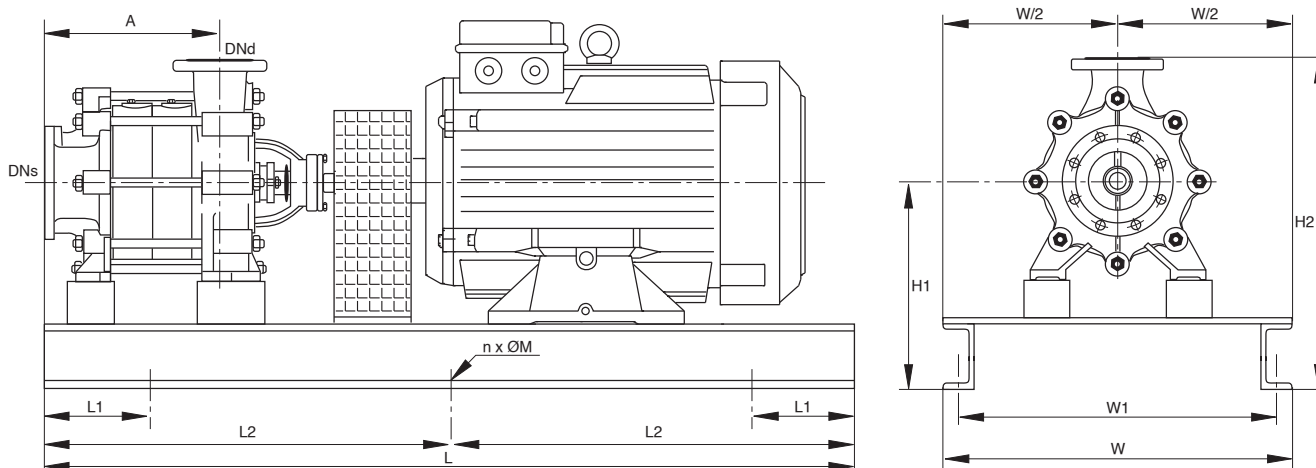
Pump type	Motor	DNs [mm]	DNd [mm]	L [mm]	W [mm]	H1 [mm]	H2 [mm]	A [mm]	L1 [mm]	L2 [mm]	n X M [nXØmm]	W1 [mm]	Weight [kg]
MGH4-E 65/6 - 7,5	132M4B	100	65	1300	450	328	543	531	150	650	4x16	400	343
MGH4-E 65/6 - 11	160M4B	100	65	1400	450	328	543	531	150	700	6x16	400	365
MGH4-E 65/6 - 15	160L4A	100	65	1400	450	328	543	531	150	700	6x16	400	379
MGH-E 65/6 - 55	250M2A	100	65	1600	600	400	615	531	150	800	6x18	550	567
MGH-E 65/6 - 75	280S2	100	65	1750	650	452	667	531	150	875	6x18	595	918
MGH-E 65/6 - 90	280M2	100	65	1850	650	472	687	531	150	925	6x18	590	990
MGH-E 65/6 - 110	315S2	100	65	1900	700	507	722	531	150	950	6x18	640	1201
MGH4-E 65/7 - 7,5	132M4B	100	65	1350	450	328	543	602	150	675	6x16	400	366
MGH4-E 65/7 - 11	160M4B	100	65	1450	450	328	543	602	150	725	6x16	400	388
MGH4-E 65/7 - 15	160L4A	100	65	1450	450	328	543	602	150	725	6x16	400	402
MGH4-E 65/8 - 11	160M4B	100	65	1550	450	328	543	673	150	775	6x16	400	414
MGH4-E 65/8 - 15	160L4A	100	65	1550	450	328	543	673	150	775	6x16	400	428
MGH4-E 65/8 - 18,5	180M4B	100	65	1600	450	330	545	673	150	800	6x16	400	472
MGH4-E 65/9 - 11	160M4B	100	65	1600	450	328	543	744	150	800	6x16	400	437
MGH4-E 65/9 - 15	160L4A	100	65	1600	450	330	545	744	150	800	6x16	400	463
MGH4-E 65/9 - 18,5	180M4B	100	65	1650	450	330	545	744	150	825	6x16	400	495
MGH4-E 65/10 - 11	160M4B	100	65	1700	450	330	545	815	150	850	6x16	400	475
MGH4-E 65/10 - 15	160L4A	100	65	1700	450	330	545	815	150	850	6x16	400	489
MGH4-E 65/10 - 18,5	180M4B	100	65	1750	450	330	545	815	150	875	6x18	400	522
MGH4-E 65/10 - 22	180L4B	100	65	1750	450	330	545	815	150	875	6x18	400	530
MGH4-E 65/11 - 15	160L4A	100	65	1750	450	330	545	886	150	875	6x18	400	513
MGH4-E 65/11 - 18,5	180M4B	100	65	1800	450	330	545	886	150	900	6x18	400	545
MGH4-E 65/11 - 22	180L4B	100	65	1800	450	330	545	886	150	900	6x18	400	553
MGH4-E 80/2 - 4	112M4B	125	80	1000	550	338	603	280	100	500	4x16	505	257
MGH4-E 80/2 - 5,5	132S4C	125	80	1050	550	338	603	280	100	525	4x16	505	268
MGH4-E 80/2 - 7,5	132M4B	125	80	1100	550	338	603	280	100	550	4x16	505	292
MGH4-E 80/2 - 11	160M4B	125	80	1200	550	358	623	280	100	600	4x16	500	321
MGH-E 80/2 - 30	200L2A	125	80	1300	550	358	623	280	150	650	6x16	500	400
MGH-E 80/2 - 37	200L2B	125	80	1300	550	358	623	280	150	650	6x16	500	419
MGH-E 80/2 - 45	225M2A	125	80	1350	550	375	640	280	150	675	6x16	500	472
MGH-E 80/2 - 55	250M2A	125	80	1400	600	400	665	280	150	700	6x18	550	511
MGH-E 80/2 - 75	280S2	125	80	1600	650	452	717	280	150	800	6x18	595	863
MGH4-E 80/3 - 5,5	132S4C	125	80	1150	550	338	603	363	100	575	4x16	505	301
MGH4-E 80/3 - 7,5	132M4B	125	80	1200	550	358	623	363	100	600	4x16	500	331
MGH4-E 80/3 - 11	160M4B	125	80	1300	550	358	623	363	150	650	6x16	500	354
MGH4-E 80/3 - 15	160L4A	125	80	1300	550	358	623	363	150	650	6x16	500	368
MGH-E 80/3 - 45	225M2A	125	80	1450	550	375	640	363	150	725	6x18	500	506
MGH-E 80/3 - 55	250M2A	125	80	1500	600	400	665	363	150	750	6x18	550	545
MGH-E 80/3 - 75	280S2	125	80	1650	650	452	717	363	150	825	6x18	595	894
MGH-E 80/3 - 90	280M2	125	80	1700	650	452	717	363	150	850	6x18	595	949
MGH4-E 80/4 - 7,5	132M4B	125	80	1250	550	358	623	446	150	625	6x16	500	360
MGH4-E 80/4 - 11	160M4B	125	80	1350	550	358	623	446	150	675	6x16	500	383
MGH4-E 80/4 - 15	160L4A	125	80	1350	550	358	623	446	150	675	6x16	500	397
MGH4-E 80/4 - 18,5	180M4B	125	80	1400	550	360	625	446	150	700	6x16	500	441
MGH4-E 80/5 - 11	160M4B	125	80	1450	550	358	623	529	150	725	6x16	500	415
MGH4-E 80/5 - 15	160L4A	125	80	1450	550	358	623	529	150	725	6x16	500	429
MGH4-E 80/5 - 18,5	180M4B	125	80	1500	550	360	625	529	150	750	6x16	500	475
MGH4-E 80/5 - 22	180L4B	125	80	1500	550	360	625	529	150	750	6x16	500	483

Dimensions



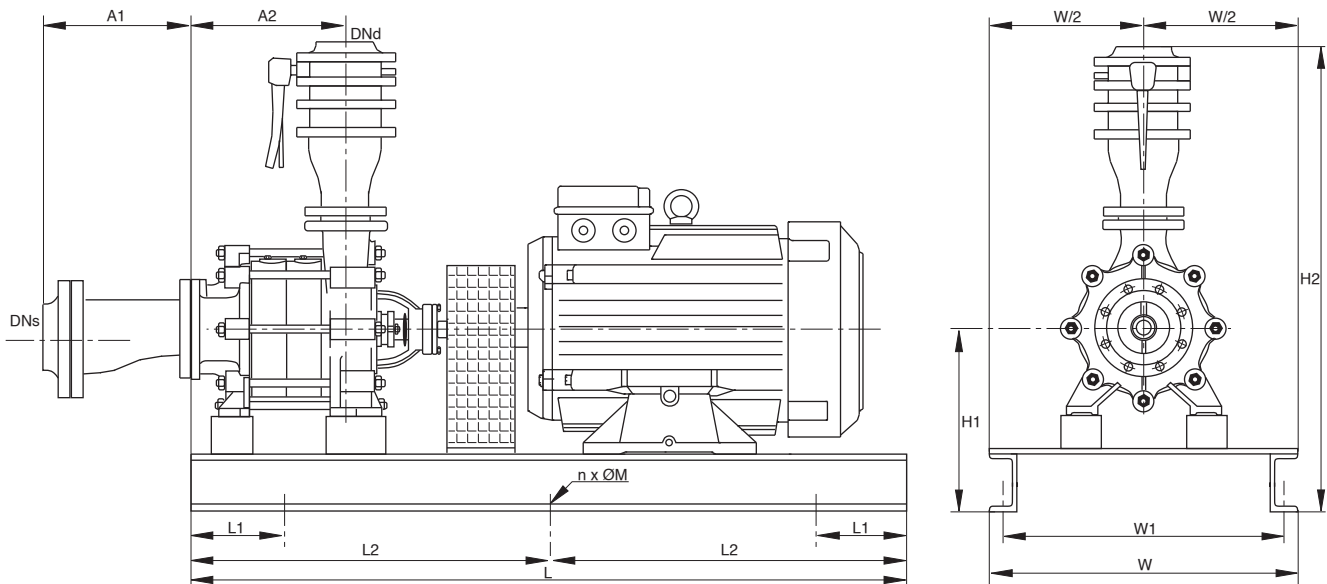
Pump type	Motor	DNs [mm]	DNd [mm]	L [mm]	W [mm]	H1 [mm]	H2 [mm]	A [mm]	L1 [mm]	L2 [mm]	n x M [n x Ømm]	W1 [mm]	Weight [kg]
MGH4-E 80/6 - 11	160M4B	125	80	1550	550	360	625	612	150	775	6x16	500	462
MGH4-E 80/6 - 15	160L4A	125	80	1550	550	360	625	612	150	775	6x16	500	476
MGH4-E 80/6 - 18,5	180M4B	125	80	1600	550	360	625	612	150	800	6x18	500	508
MGH4-E 80/6 - 22	180L4B	125	80	1600	550	360	625	612	150	800	6x18	500	516
MGH4-E 80/6 - 30	200L4C	125	80	1600	550	380	645	612	150	800	6x18	495	574
MGH4-E 80/7 - 15	160L4A	125	80	1600	550	360	625	695	150	800	6x18	500	505
MGH4-E 80/7 - 18,5	180M4B	125	80	1650	550	360	625	695	150	825	6x18	500	538
MGH4-E 80/7 - 22	180L4B	125	80	1650	550	360	625	695	150	825	6x18	500	546
MGH4-E 80/7 - 30	200L4C	125	80	1700	550	380	645	695	150	850	6x18	495	608
MGH4-E 80/8 - 15	160L4A	125	80	1700	550	360	625	778	150	850	6x18	500	539
MGH4-E 80/8 - 18,5	180M4B	125	80	1750	550	380	645	778	150	875	6x18	495	581
MGH4-E 80/8 - 22	180L4B	125	80	1750	550	380	645	778	150	875	6x18	495	589
MGH4-E 80/8 - 30	200L4C	125	80	1800	550	380	645	778	150	900	6x18	495	642
MGH4-E 80/8 - 37	225S4A	125	80	1900	550	395	660	778	150	950	6x18	495	697
MGH4-E 80/8 - 45	225M4C	125	80	1900	550	395	660	778	150	950	6x18	495	734
MGH4-E 80/9 - 18,5	180M4B	125	80	1850	550	395	660	861	150	925	6x18	495	615
MGH4-E 80/9 - 22	180L4B	125	80	1850	550	395	660	861	150	925	6x18	495	623
MGH4-E 80/9 - 30	200L4C	125	80	1850	550	395	660	861	150	925	6x18	495	672
MGH4-E 80/9 - 37	225S4A	125	80	1950	550	395	660	861	150	975	6x18	495	728
MGH4-E 80/9 - 45	225M4C	125	80	1950	550	395	660	861	150	975	6x18	495	765
MGH4-E 80/10 - 18,5	180M4B	125	80	1900	550	395	660	944	150	950	6x18	495	645
MGH4-E 80/10 - 22	180L4B	125	80	1900	550	395	660	944	150	950	6x18	495	653
MGH4-E 80/10 - 30	200L4C	125	80	1950	550	395	660	944	150	975	6x18	495	707
MGH4-E 80/10 - 37	225S4A	125	80	2050	550	395	660	944	150	1025	6x18	495	762
MGH4-E 80/10 - 45	225M4C	125	80	2050	550	395	660	944	150	1025	6x18	495	799
MGH4-E 100/2 - 15	160L4A	150	100	1350	600	400	700	347	150	675	6x16	550	431
MGH4-E 100/2 - 18,5	180M4B	150	100	1400	600	400	700	347	150	700	6x16	550	464
MGH4-E 100/2 - 22	180L4B	150	100	1400	600	400	700	347	150	700	6x16	550	472
MGH4-E 100/2 - 30	200L4C	150	100	1400	600	400	700	347	150	700	6x18	550	521
MGH4-E 100/3 - 22	180L4B	150	100	1500	600	400	700	447	150	750	6x18	550	522
MGH4-E 100/3 - 30	200L4C	150	100	1500	600	420	720	447	150	750	6x18	545	579
MGH4-E 100/3 - 37	225S4A	150	100	1600	600	420	720	447	150	800	6x18	545	635
MGH4-E 100/4 - 30	200L4C	150	100	1600	600	420	720	547	150	800	6x18	545	630
MGH4-E 100/4 - 37	225S4A	150	100	1700	600	420	720	547	150	850	6x18	545	685
MGH4-E 100/4 - 45	225M4C	150	100	1700	600	420	720	547	150	850	6x18	545	722
MGH4-E 100/4 - 55	250M4C	150	100	1750	600	420	720	547	150	875	6x18	545	746
MGH4-E 100/5 - 37	225S4A	150	100	1800	600	420	720	647	150	900	6x18	545	735
MGH4-E 100/5 - 45	225M4C	150	100	1800	600	420	720	647	150	900	6x18	545	772
MGH4-E 100/5 - 55	250M4C	150	100	1850	600	422	722	647	150	925	6x18	545	814
MGH4-E 100/5 - 75	280S4	150	100	2000	650	472	772	647	150	1000	6x18	590	1100
MGH4-E 100/6 - 45	225M4C	150	100	1900	600	422	722	747	150	950	6x18	545	841
MGH4-E 100/6 - 55	250M4C	150	100	1950	600	422	722	747	150	975	6x18	545	866
MGH4-E 100/6 - 75	280S4	150	100	2100	650	472	772	747	150	1050	6x18	590	1153
MGH4-E 100/7 - 45	225M4C	150	100	2000	600	422	722	847	150	1000	6x18	545	892
MGH4-E 100/7 - 55	250M4C	150	100	2050	600	422	722	847	150	1025	6x18	545	917
MGH4-E 100/7 - 75	280S4	150	100	2200	650	472	772	847	150	1100	6x18	590	1206
MGH4-E 100/7 - 90	280M4	150	100	2250	650	472	772	847	150	1125	6x18	590	1291

Dimensions



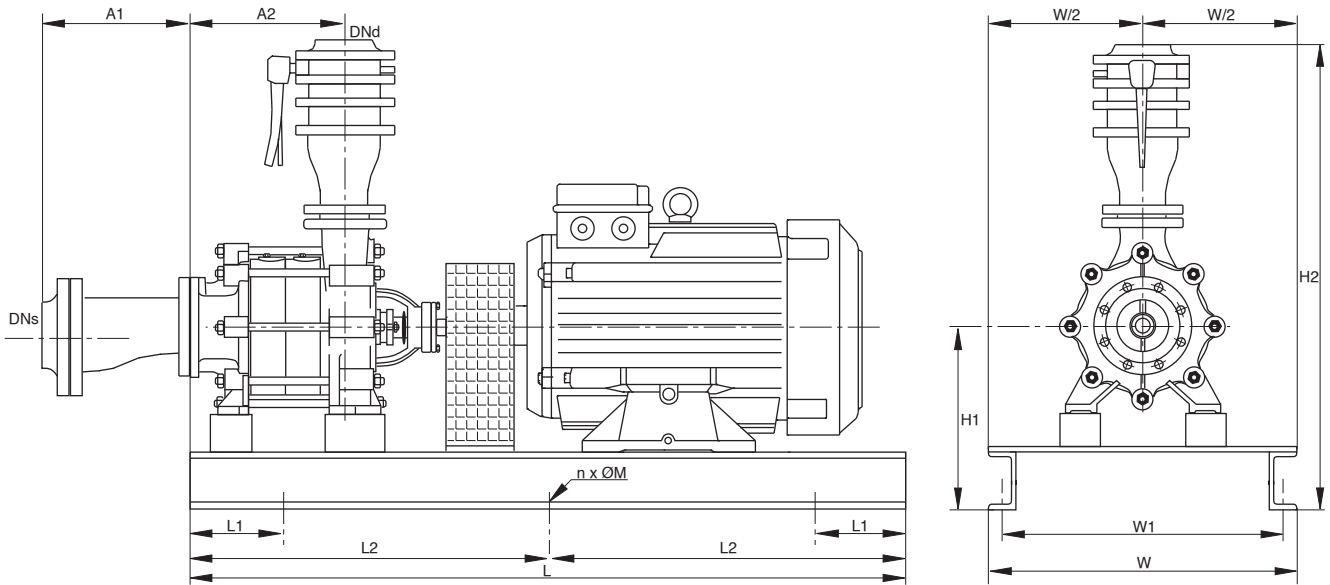
Pump type	Motor	DNs [mm]	DNd [mm]	L [mm]	W [mm]	H1 [mm]	H2 [mm]	A [mm]	L1 [mm]	L2 [mm]	n X M [nXØmm]	W1 [mm]	Weight [kg]
MGH4-E 100/8 - 55	250M4C	150	100	2150	600	422	722	947	150	1075	6x18	545	968
MGH4-E 100/8 - 75	280S4	150	100	2300	650	472	772	947	150	1150	6x18	590	1258
MGH4-E 100/8 - 90	280M4	150	100	2350	650	472	772	947	150	1175	6x18	590	1343
MGH4-E 100/8 - 110	315S4	150	100	2450	750	527	827	947	150	1225	6x20	690	1553
MGH4-E 100/9 - 75	280S4	150	100	2400	650	472	772	1047	150	1200	6x18	590	1311
MGH4-E 100/9 - 90	280M4	150	100	2450	650	472	772	1047	150	1225	6x18	590	1396
MGH4-E 100/9 - 110	315S4	150	100	2550	750	527	827	1047	150	1275	6x20	690	1607
MGH4-E 100/10 - 75	280S4	150	100	2500	650	472	772	1147	150	1250	6x18	590	1363
MGH4-E 100/10 - 90	280M4	150	100	2550	650	472	772	1147	150	1275	6x18	590	1448
MGH4-E 100/10 - 110	315S4	150	100	2650	750	527	827	1147	150	1325	6x20	690	1661
MGH4-E 100/10 - 132	315M4A	150	100	2700	750	527	827	1147	150	1350	6x20	690	1787
MGH4-E 125/2 - 37	225S4A	200	125	1550	750	472	847	364	150	775	6x18	695	805
MGH4-E 125/2 - 45	225M4C	200	125	1550	750	472	847	364	150	775	6x18	695	842
MGH4-E 125/2 - 55	250M4C	200	125	1550	750	472	847	364	150	775	6x18	695	862
MGH4-E 125/3 - 55	250M4C	200	125	1700	750	492	867	479	150	850	6x18	690	964
MGH4-E 125/3 - 75	280S4	200	125	1850	750	492	867	479	150	925	6x18	690	1231
MGH4-E 125/4 - 75	280S4	200	125	1950	750	492	867	594	150	975	6x18	690	1318
MGH4-E 125/4 - 90	280M4	200	125	2000	750	492	867	594	150	1000	6x18	690	1403
MGH4-E 125/4 - 110	315S4	200	125	2100	750	527	902	594	150	1050	6x20	690	1589
MGH4-E 125/5 - 90	280M4	200	125	2150	750	512	887	709	150	1075	6x20	690	1510
MGH4-E 125/5 - 110	315S4	200	125	2250	750	527	902	709	150	1125	6x20	690	1682
MGH4-E 125/5 - 132	315M4A	200	125	2300	750	527	902	709	150	1150	6x20	690	1808
MGH4-E 125/6 - 110	315S4	200	125	2350	750	527	902	824	150	1175	6x20	690	1769
MGH4-E 125/6 - 132	315M4A	200	125	2400	750	527	902	824	150	1200	6x20	690	1895
MGH4-E 125/6 - 160	315M4B	200	125	2400	750	527	902	824	150	1200	6x20	690	2020
MGH4-E 125/7 - 132	315M4A	200	125	2500	750	527	902	939	150	1250	6x20	690	1982
MGH4-E 125/7 - 160	315M4B	200	125	2500	750	527	902	939	150	1250	6x20	690	2107
MGH4-E 125/7 - 185	315L4A	200	125	2600	750	527	902	939	150	1300	6x20	690	2219
MGH4-E 125/8 - 160	315M4B	200	125	2650	750	527	902	1054	150	1325	6x20	690	2200
MGH4-E 125/8 - 185	315L4A	200	125	2700	750	527	902	1054	150	1350	6x20	690	2306
MGH4-E 125/8 - 200	315L4B	200	125	2700	750	527	902	1054	150	1350	6x20	690	2356
MGH4-E 150/2 - 75	280S4	200	150	1900	850	562	987	437	150	950	6x18	790	1473
MGH4-E 150/2 - 90	280M4	200	150	1950	850	562	987	437	150	975	6x20	790	1560
MGH4-E 150/2 - 110	315S4	200	150	2050	850	562	987	437	150	1025	6x20	790	1733
MGH4-E 150/2 - 132	315M4A	200	150	2100	850	562	987	437	150	1050	6x20	790	1859
MGH4-E 150/3 - 90	280M4	200	150	2100	850	562	987	582	150	1050	6x20	790	1699
MGH4-E 150/3 - 110	315S4	200	150	2200	850	562	987	582	150	1100	6x20	790	1872
MGH4-E 150/3 - 132	315M4A	200	150	2250	850	562	987	582	150	1125	6x20	790	1999
MGH4-E 150/3 - 160	315M4B	200	150	2250	850	562	987	582	150	1125	6x20	790	2124
MGH4-E 150/3 - 185	315L4A	200	150	2300	850	562	987	582	150	1150	6x20	790	2231
MGH4-E 150/4 - 132	315M4A	200	150	2350	850	562	987	727	150	1175	6x20	790	2132
MGH4-E 150/4 - 160	315M4B	200	150	2350	850	562	987	727	150	1175	6x20	790	2257
MGH4-E 150/4 - 185	315L4A	200	150	2450	850	562	987	727	150	1225	6x20	790	2370
MGH4-E 150/4 - 200	315L4B	200	150	2450	850	562	987	727	150	1225	6x20	790	2420
MGH4-E 150/4 - 250	355M4A	200	150	2600	850	567	992	727	150	1300	6x20	790	2725
MGH4-E 150/5 - 160	315M4B	200	150	2500	850	562	987	872	150	1250	6x20	790	2397
MGH4-E 150/5 - 185	315L4A	200	150	2600	850	562	987	872	150	1300	6x20	790	2510
MGH4-E 150/5 - 200	315L4B	200	150	2600	850	562	987	872	150	1300	6x20	790	2560
MGH4-E 150/5 - 250	355M4A	200	150	2750	850	567	992	872	150	1375	6x20	790	2864
MGH4-E 150/5 - 315	355M4B	200	150	2750	850	567	992	872	150	1375	6x20	790	3071

Dimensions



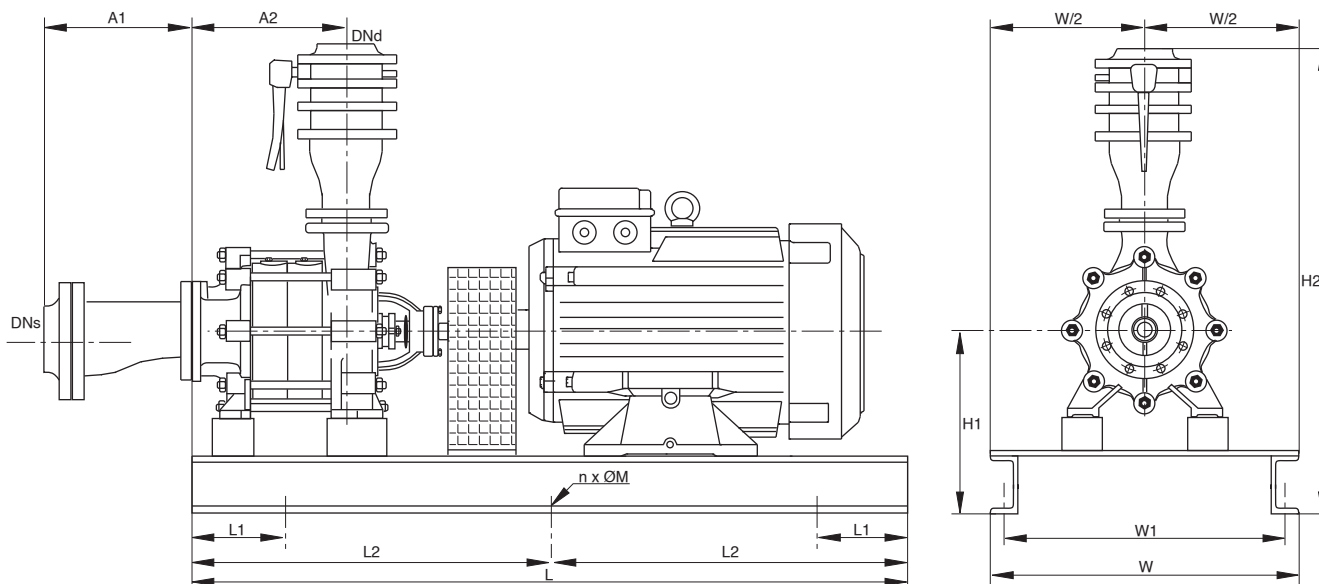
Pump type	Motor	DNs [mm]	DNd [mm]	L [mm]	W [mm]	H1 [mm]	H2 [mm]	A1 [mm]	A2 [mm]	L1 [mm]	L2 [mm]	n X M [nXØmm]	W1 [mm]	Weight [kg]
1-MGH4-E 40/2 - 0,55	80M4A	80	50	700	350	246	721	240	187	100	350	4x16	310	142
1-MGH4-E 40/2 - 0,75	80M4B	80	50	700	350	246	721	240	187	100	350	4x16	310	143
1-MGH4-E 40/2 - 1,1	90S4A	80	50	750	350	246	721	240	187	100	375	4x16	310	146
1-MGH-E 40/2 - 4	112M2A	80	50	800	350	266	741	240	187	100	400	4x16	310	167
1-MGH-E 40/2 - 5,5	132S2A	80	50	900	400	266	741	240	187	100	450	4x16	360	178
1-MGH-E 40/2 - 7,5	132S2C	80	50	900	400	266	741	240	187	100	450	4x16	360	185
1-MGH-E 40/2 - 11	160M2A	80	50	1000	450	266	741	240	187	100	500	4x16	410	219
1-MGH4-E 40/3 - 0,75	80M4B	80	50	750	350	246	721	240	242	100	375	4x16	310	154
1-MGH4-E 40/3 - 1,1	90S4A	80	50	800	350	266	741	240	242	100	400	4x16	310	161
1-MGH4-E 40/3 - 1,5	90L4A	80	50	800	350	266	741	240	242	100	400	4x16	310	163
1-MGH4-E 40/3 - 2,2	100L4A	80	50	850	350	266	741	240	242	100	425	4x16	310	171
1-MGH-E 40/3 - 5,5	132S2A	80	50	900	400	266	741	240	242	100	450	4x16	360	188
1-MGH-E 40/3 - 7,5	132S2C	80	50	900	400	266	741	240	242	100	450	4x16	360	195
1-MGH-E 40/3 - 11	160M2A	80	50	1100	450	288	763	240	242	100	550	4x16	405	247
1-MGH-E 40/3 - 15	160M2B	80	50	1100	450	288	763	240	242	100	550	4x16	405	254
1-MGH4-E 40/4 - 1,1	90S4A	80	50	850	350	266	741	240	297	100	425	4x16	310	172
1-MGH4-E 40/4 - 1,5	90L4A	80	50	850	350	266	741	240	297	100	425	4x16	310	174
1-MGH4-E 40/4 - 2,2	100L4A	80	50	900	350	266	741	240	297	100	450	4x16	310	182
1-MGH-E 40/4 - 7,5	132S2C	80	50	1000	400	266	741	240	297	100	500	4x16	360	208
1-MGH-E 40/4 - 11	160M2A	80	50	1150	450	288	763	240	297	100	575	4x16	405	259
1-MGH-E 40/4 - 15	160M2B	80	50	1150	450	288	763	240	297	100	575	4x16	405	266
1-MGH-E 40/4 - 18,5	160L2A	80	50	1150	450	288	763	240	297	100	575	4x16	405	281
1-MGH4-E 40/5 - 1,1	90S4A	80	50	900	350	266	741	240	352	100	450	4x16	310	183
1-MGH4-E 40/5 - 1,5	90L4A	80	50	900	350	266	741	240	352	100	450	4x16	310	185
1-MGH4-E 40/5 - 2,2	100L4A	80	50	950	350	266	741	240	352	100	475	4x16	310	193
1-MGH4-E 40/5 - 3	100L4B	80	50	950	350	266	741	240	352	100	475	4x16	310	196
1-MGH-E 40/5 - 11	160M2A	80	50	1200	450	288	763	240	352	100	600	4x16	405	272
1-MGH-E 40/5 - 15	160M2B	80	50	1200	450	288	763	240	352	100	600	4x16	405	279
1-MGH-E 40/5 - 18,5	160L2A	80	50	1200	450	288	763	240	352	100	600	4x16	405	294
1-MGH-E 40/5 - 22	180M2A	80	50	1200	450	308	783	240	352	100	600	4x16	405	317
1-MGH4-E 40/6 - 1,5	90L4A	80	50	950	350	266	741	240	407	100	475	4x16	310	197
1-MGH4-E 40/6 - 2,2	100L4A	80	50	1000	350	266	741	240	407	100	500	4x16	310	205
1-MGH4-E 40/6 - 3	100L4B	80	50	1000	350	266	741	240	407	100	500	4x16	310	208
1-MGH4-E 40/6 - 4	112M4B	80	50	1050	350	266	741	240	407	100	525	4x16	310	217
1-MGH-E 40/6 - 11	160M2A	80	50	1250	450	288	763	240	407	150	625	4x16	405	284
1-MGH-E 40/6 - 15	160M2B	80	50	1250	450	288	763	240	407	150	625	4x16	405	291
1-MGH-E 40/6 - 18,5	160L2A	80	50	1250	450	288	763	240	407	150	625	4x16	405	306
1-MGH-E 40/6 - 22	180M2A	80	50	1300	450	308	783	240	407	150	650	4x16	405	332
1-MGH-E 40/6 - 30	200L2A	80	50	1300	500	348	823	240	407	150	650	4x16	450	376
1-MGH4-E 40/7 - 2,2	100L4A	80	50	1100	350	266	741	240	462	100	550	4x16	310	218
1-MGH4-E 40/7 - 3	100L4B	80	50	1100	350	266	741	240	462	100	550	4x16	310	221
1-MGH4-E 40/7 - 4	112M4B	80	50	1100	400	288	763	240	462	100	550	4x16	355	244
1-MGH-E 40/7 - 15	160M2B	80	50	1300	450	288	763	240	462	150	650	4x16	405	303
1-MGH-E 40/7 - 18,5	160L2A	80	50	1300	450	288	763	240	462	150	650	4x16	405	318
1-MGH-E 40/7 - 22	180M2A	80	50	1350	450	308	783	240	462	150	675	4x16	405	344
1-MGH-E 40/7 - 30	200L2A	80	50	1350	500	348	823	240	462	150	675	6x16	450	389

Dimensions



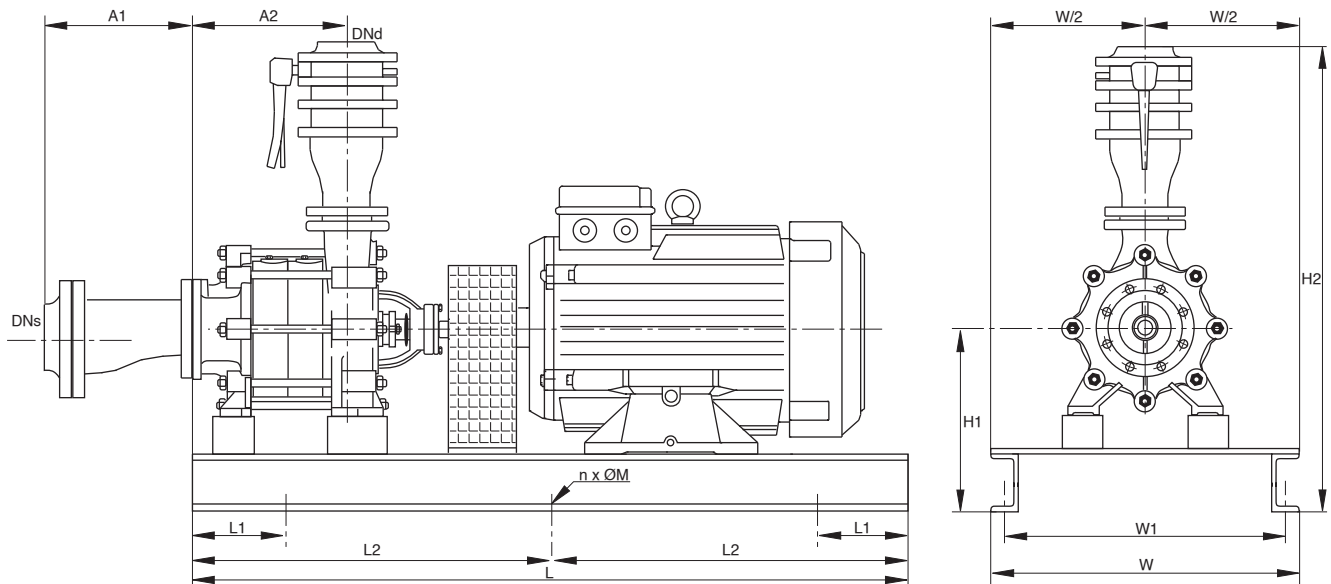
Pump type	Motor	DNs [mm]	DNd [mm]	L [mm]	W [mm]	H1 [mm]	H2 [mm]	A1 [mm]	A2 [mm]	L1 [mm]	L2 [mm]	n X M [nXØmm]	W1 [mm]	Weight [kg]
1-MGH4-E 40/8 - 2,2	100L4A	80	50	1100	350	288	763	240	517	100	550	4x16	305	240
1-MGH4-E 40/8 - 3	100L4B	80	50	1100	350	288	763	240	517	100	550	4x16	305	243
1-MGH4-E 40/8 - 4	112M4B	80	50	1150	400	288	763	240	517	100	575	4x16	355	256
1-MGH4-E 40/8 - 5,5	132S4C	80	50	1200	400	288	763	240	517	100	600	4x16	355	266
1-MGH-E 40/8 - 15	160M2B	80	50	1350	450	288	763	240	517	150	675	4x16	405	315
1-MGH-E 40/8 - 18,5	160L2A	80	50	1350	450	288	763	240	517	150	675	4x16	405	330
1-MGH-E 40/8 - 22	180M2A	80	50	1400	450	308	783	240	517	150	700	4x16	405	356
1-MGH-E 40/8 - 30	200L2A	80	50	1450	500	348	823	240	517	150	725	6x16	450	405
1-MGH-E 40/8 - 37	200L2B	80	50	1450	500	348	823	240	517	150	725	6x16	450	424
1-MGH4-E 40/9 - 2,2	100L4A	80	50	1200	350	288	763	240	572	100	600	4x16	305	254
1-MGH4-E 40/9 - 3	100L4B	80	50	1200	350	288	763	240	572	100	600	4x16	305	257
1-MGH4-E 40/9 - 4	112M4B	80	50	1200	400	288	763	240	572	100	600	4x16	355	268
1-MGH4-E 40/9 - 5,5	132S4C	80	50	1250	400	288	763	240	572	150	625	4x16	355	278
1-MGH-E 40/9 - 18,5	160L2A	80	50	1400	450	288	763	240	572	150	700	4x16	405	343
1-MGH-E 40/9 - 22	180M2A	80	50	1450	450	328	803	240	572	150	725	4x16	400	376
1-MGH-E 40/9 - 30	200L2A	80	50	1500	500	348	823	240	572	150	750	6x16	450	418
1-MGH-E 40/9 - 37	200L2B	80	50	1500	500	348	823	240	572	150	750	6x16	450	437
1-MGH4-E 40/10 - 2,2	100L4A	80	50	1250	350	288	763	240	627	150	625	4x16	305	266
1-MGH4-E 40/10 - 3	100L4B	80	50	1250	350	288	763	240	627	150	625	4x16	305	269
1-MGH4-E 40/10 - 4	112M4B	80	50	1250	400	288	763	240	627	150	625	4x16	355	280
1-MGH4-E 40/10 - 5,5	132S4C	80	50	1300	400	288	763	240	627	150	650	4x16	355	290
1-MGH-E 40/10 - 18,5	160L2A	80	50	1450	450	288	763	240	627	150	725	4x16	405	355
1-MGH-E 40/10 - 22	180M2A	80	50	1500	450	328	803	240	627	150	750	6x16	400	388
1-MGH-E 40/10 - 30	200L2A	80	50	1550	500	348	823	240	627	150	775	6x16	450	430
1-MGH-E 40/10 - 37	200L2B	80	50	1550	500	348	823	240	627	150	775	6x16	450	449
1-MGH-E 40/10 - 45	225M2A	80	50	1600	550	375	850	240	627	150	800	6x16	500	510
1-MGH4-E 40/11 - 3	100L4B	80	50	1300	350	288	763	240	682	150	650	4x16	305	281
1-MGH4-E 40/11 - 4	112M4B	80	50	1300	400	288	763	240	682	150	650	4x16	355	292
1-MGH4-E 40/11 - 5,5	132S4C	80	50	1350	400	288	763	240	682	150	675	4x16	355	303
1-MGH4-E 40/11 - 7,5	132M4B	80	50	1400	400	288	763	240	682	150	700	4x16	355	326
1-MGH-E 40/11 - 22	180M2A	80	50	1550	450	328	803	240	682	150	775	6x16	400	401
1-MGH-E 40/11 - 30	200L2A	80	50	1600	500	348	823	240	682	150	800	6x16	450	443
1-MGH-E 40/11 - 37	200L2B	80	50	1600	500	348	823	240	682	150	800	6x16	450	462
1-MGH-E 40/11 - 45	225M2A	80	50	1650	550	375	850	240	682	150	825	6x16	500	524
1-MGH4-E 40/12 - 3	100L4B	80	50	1350	350	288	763	240	737	150	675	4x16	305	293
1-MGH4-E 40/12 - 4	112M4B	80	50	1350	400	288	763	240	737	150	675	4x16	355	304
1-MGH4-E 40/12 - 5,5	132S4C	80	50	1400	400	288	763	240	737	150	700	4x16	355	315
1-MGH4-E 40/12 - 7,5	132M4B	80	50	1450	400	288	763	240	737	150	725	4x16	355	338
1-MGH4-E 40/13 - 3	100L4B	80	50	1400	350	288	763	240	792	150	700	4x16	305	305
1-MGH4-E 40/13 - 4	112M4B	80	50	1400	400	288	763	240	792	150	700	4x16	355	316
1-MGH4-E 40/13 - 5,5	132S4C	80	50	1500	400	288	763	240	792	150	750	4x16	355	329
1-MGH4-E 40/13 - 7,5	132M4B	80	50	1500	400	288	763	240	792	150	750	4x16	355	350
1-MGH4-E 50/2 - 1,1	90S4A	100	65	800	400	266	801	255	212	100	400	4x16	360	198
1-MGH4-E 50/2 - 1,5	90L4A	100	65	800	400	266	801	255	212	100	400	4x16	360	200
1-MGH4-E 50/2 - 2,2	100L4A	100	65	850	400	266	801	255	212	100	425	4x16	360	208
1-MGH-E 50/2 - 7,5	132S2C	100	65	900	400	288	823	255	212	100	450	4x16	355	241
1-MGH-E 50/2 - 11	160M2A	100	65	1050	450	288	823	255	212	100	525	4x16	405	280
1-MGH-E 50/2 - 15	160M2B	100	65	1050	450	288	823	255	212	100	525	4x16	405	287

Dimensions



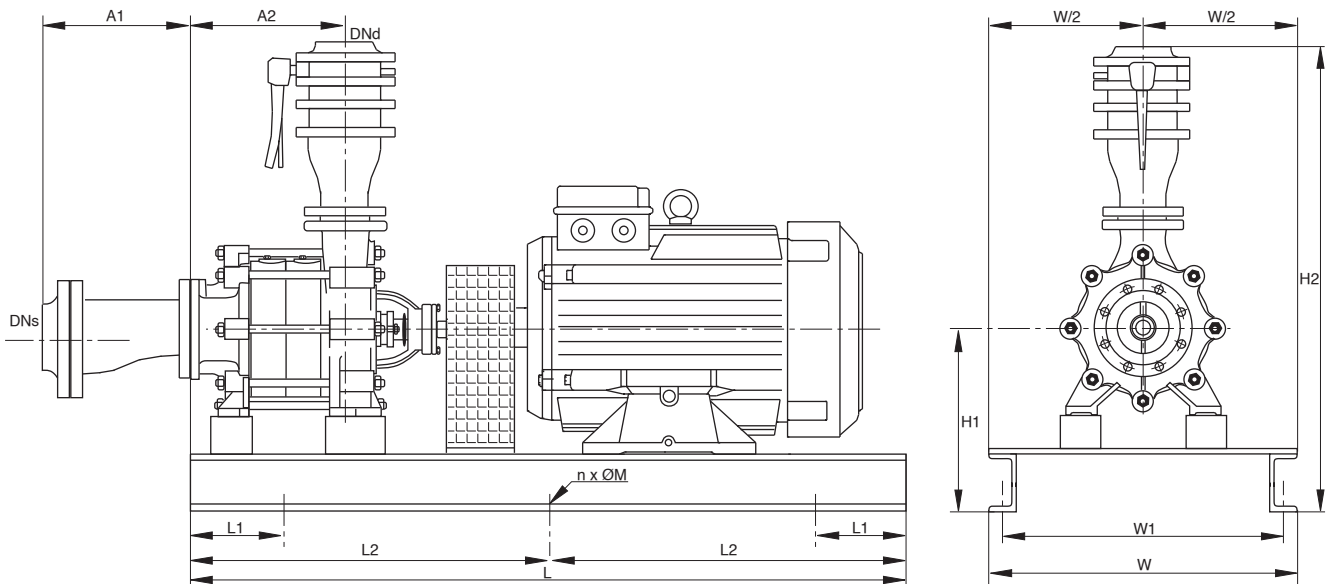
Pump type	Motor	DNs [mm]	DNd [mm]	L [mm]	W [mm]	H1 [mm]	H2 [mm]	A1 [mm]	A2 [mm]	L1 [mm]	L2 [mm]	n X M [nXØmm]	W1 [mm]	Weight [kg]
1-MGH4-E 50/3 - 1,5	90L4A	100	65	850	400	266	801	255	274	100	425	4x16	360	215
1-MGH4-E 50/3 - 2,2	100L4A	100	65	900	400	266	801	255	274	100	450	4x16	360	223
1-MGH4-E 50/3 - 3	100L4B	100	65	900	400	288	823	255	274	100	450	4x16	355	237
1-MGH-E 50/3 - 11	160M2A	100	65	1150	450	288	823	255	274	100	575	4x16	405	298
1-MGH-E 50/3 - 15	160M2B	100	65	1150	450	288	823	255	274	100	575	4x16	405	305
1-MGH-E 50/3 - 18,5	160L2A	100	65	1150	450	288	823	255	274	100	575	4x16	405	320
1-MGH-E 50/3 - 22	180M2A	100	65	1150	450	308	843	255	274	100	575	4x16	405	343
1-MGH4-E 50/4 - 2,2	100L4A	100	65	950	400	288	823	255	336	100	475	4x16	355	249
1-MGH4-E 50/4 - 3	100L4B	100	65	950	400	288	823	255	336	100	475	4x16	355	252
1-MGH4-E 50/4 - 4	112M4B	100	65	1000	400	288	823	255	336	100	500	4x16	355	262
1-MGH-E 50/4 - 15	160M2B	100	65	1200	450	288	823	255	336	100	600	4x16	405	321
1-MGH-E 50/4 - 18,5	160L2A	100	65	1200	450	288	823	255	336	100	600	4x16	405	336
1-MGH-E 50/4 - 22	180M2A	100	65	1250	450	328	863	255	336	150	625	4x16	400	368
1-MGH-E 50/4 - 30	200L2A	100	65	1250	500	348	883	255	336	150	625	6x16	450	406
1-MGH4-E 50/5 - 2,2	100L4A	100	65	1050	400	288	823	255	398	100	525	4x16	355	268
1-MGH4-E 50/5 - 3	100L4B	100	65	1050	400	288	823	255	398	100	525	4x16	355	271
1-MGH4-E 50/5 - 4	112M4B	100	65	1050	400	288	823	255	398	100	525	4x16	355	278
1-MGH4-E 50/5 - 5,5	132S4C	100	65	1100	400	288	823	255	398	100	550	4x16	355	288
1-MGH-E 50/5 - 18,5	160L2A	100	65	1250	450	288	823	255	398	150	625	4x16	405	352
1-MGH-E 50/5 - 22	180M2A	100	65	1300	450	328	863	255	398	150	650	4x16	400	384
1-MGH-E 50/5 - 30	200L2A	100	65	1350	500	348	883	255	398	150	675	6x16	450	426
1-MGH-E 50/5 - 37	200L2B	100	65	1350	500	348	883	255	398	150	675	6x16	450	445
1-MGH-E 50/6 - 22	180M2A	100	65	1350	450	328	863	255	460	150	675	6x16	400	400
1-MGH4-E 50/6 - 3	100L4B	100	65	1100	400	288	823	255	460	100	550	4x16	355	286
1-MGH4-E 50/6 - 4	112M4B	100	65	1100	400	288	823	255	460	100	550	4x16	355	293
1-MGH4-E 50/6 - 5,5	132S4C	100	65	1150	400	288	823	255	460	100	575	4x16	355	304
1-MGH4-E 50/6 - 7,5	132M4B	100	65	1200	400	288	823	255	460	100	600	4x16	355	327
1-MGH-E 50/6 - 30	200L2A	100	65	1400	500	348	883	255	460	150	700	6x16	450	442
1-MGH-E 50/6 - 37	200L2B	100	65	1400	500	348	883	255	460	150	700	6x16	450	461
1-MGH-E 50/6 - 45	225M2A	100	65	1450	550	375	910	255	460	150	725	6x16	500	520
1-MGH4-E 50/7 - 3	100L4B	100	65	1150	400	288	823	255	522	100	575	4x16	355	302
1-MGH4-E 50/7 - 4	112M4B	100	65	1200	400	288	823	255	522	100	600	4x16	355	311
1-MGH4-E 50/7 - 5,5	132S4C	100	65	1250	400	288	823	255	522	150	625	4x16	355	322
1-MGH4-E 50/7 - 7,5	132M4B	100	65	1250	400	288	823	255	522	150	625	4x16	355	343
1-MGH-E 50/7 - 30	200L2A	100	65	1450	500	348	883	255	522	150	725	6x16	450	458
1-MGH-E 50/7 - 37	200L2B	100	65	1450	500	348	883	255	522	150	725	6x16	450	477
1-MGH-E 50/7 - 45	225M2A	100	65	1550	550	375	910	255	522	150	775	6x16	500	541
1-MGH-E 50/7 - 55	250M2A	100	65	1550	600	400	935	255	522	150	775	6x18	550	576
1-MGH4-E 50/8 - 4	112M4B	100	65	1250	400	288	823	255	584	150	625	4x16	355	327
1-MGH4-E 50/8 - 5,5	132S4C	100	65	1300	400	288	823	255	584	150	650	4x16	355	337
1-MGH4-E 50/8 - 7,5	132M4B	100	65	1350	400	308	843	255	584	150	675	4x16	350	368
1-MGH4-E 50/8 - 11	160M4B	100	65	1450	450	308	843	255	584	150	725	4x16	400	394
1-MGH-E 50/8 - 30	200L2A	100	65	1500	500	348	883	255	584	150	750	6x16	450	474
1-MGH-E 50/8 - 37	200L2B	100	65	1500	500	350	885	255	584	150	750	6x16	450	505
1-MGH-E 50/8 - 45	225M2A	100	65	1600	550	375	910	255	584	150	800	6x18	500	557
1-MGH-E 50/8 - 55	250M2A	100	65	1650	600	400	935	255	584	150	825	6x18	550	597
1-MGH-E 50/8 - 75	280S2	100	65	1800	650	452	987	255	584	150	900	6x18	595	949

Dimensions



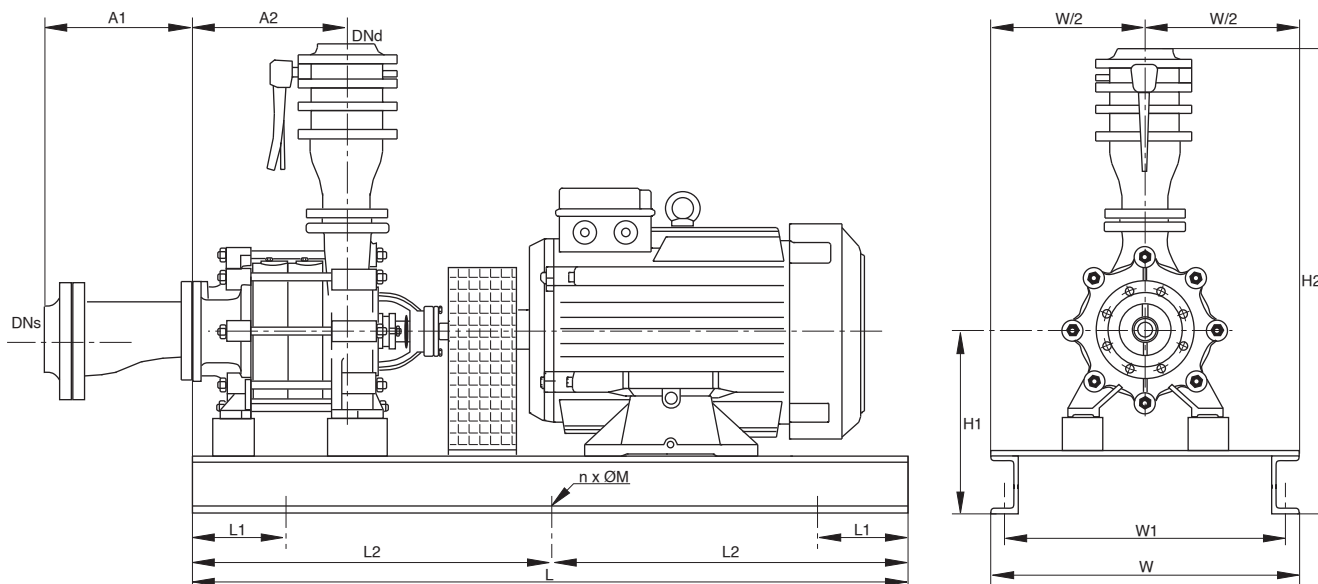
Pump type	Motor	DNs [mm]	DNd [mm]	L [mm]	W [mm]	H1 [mm]	H2 [mm]	A1 [mm]	A2 [mm]	L1 [mm]	L2 [mm]	n X M [nXØmm]	W1 [mm]	Weight [kg]
1-MGH4-E 50/9 - 4	112M4B	100	65	1300	400	288	823	255	646	150	650	4x16	355	342
1-MGH4-E 50/9 - 5,5	132S4C	100	65	1350	400	288	823	255	646	150	675	4x16	355	353
1-MGH4-E 50/9 - 7,5	132M4B	100	65	1400	400	308	843	255	646	150	700	4x16	350	384
1-MGH4-E 50/9 - 11	160M4B	100	65	1500	450	308	843	255	646	150	750	6x16	400	410
1-MGH-E 50/9 - 30	200L2A	100	65	1600	500	350	885	255	646	150	800	6x16	450	506
1-MGH-E 50/9 - 37	200L2B	100	65	1600	500	350	885	255	646	150	800	6x16	450	525
1-MGH-E 50/9 - 45	225M2A	100	65	1650	550	375	910	255	646	150	825	6x18	500	574
1-MGH-E 50/9 - 55	250M2A	100	65	1700	600	400	935	255	646	150	850	6x18	550	613
1-MGH-E 50/9 - 75	280S2	100	65	1850	650	452	987	255	646	150	925	6x18	595	967
1-MGH4-E 50/10 - 4	112M4B	100	65	1350	400	308	843	255	708	150	675	4x16	350	365
1-MGH4-E 50/10 - 5,5	132S4C	100	65	1400	400	308	843	255	708	150	700	4x16	350	376
1-MGH4-E 50/10 - 7,5	132M4B	100	65	1450	400	308	843	255	708	150	725	6x16	350	400
1-MGH4-E 50/10 - 11	160M4B	100	65	1550	450	308	843	255	708	150	775	6x16	400	426
1-MGH4-E 50/11 - 5,5	132S4C	100	65	1500	400	308	843	255	770	150	750	4x16	350	395
1-MGH4-E 50/11 - 7,5	132M4B	100	65	1500	400	308	843	255	770	150	750	6x16	350	416
1-MGH4-E 50/11 - 11	160M4B	100	65	1600	450	308	843	255	770	150	800	6x16	400	442
1-MGH4-E 50/12 - 5,5	132S4C	100	65	1550	400	308	843	255	832	150	775	6x16	350	411
1-MGH4-E 50/12 - 7,5	132M4B	100	65	1600	400	308	843	255	832	150	800	6x16	350	434
1-MGH4-E 50/12 - 11	160M4B	100	65	1700	450	308	843	255	832	150	850	6x16	400	461
1-MGH4-E 50/12 - 15	160L4A	100	65	1700	450	308	843	255	832	150	850	6x16	400	475
1-MGH4-E 65/2 - 2,2	100L4A	125	80	900	450	308	878	255	247	100	450	4x16	405	251
1-MGH4-E 65/2 - 3	100L4B	125	80	900	450	308	878	255	247	100	450	4x16	405	254
1-MGH4-E 65/2 - 4	112M4B	125	80	900	450	308	878	255	247	100	450	4x16	405	261
1-MGH-E 65/2 - 18,5	160L2A	125	80	1100	450	308	878	255	247	100	550	4x16	405	332
1-MGH-E 65/2 - 22	180M2A	125	80	1150	450	308	878	255	247	100	575	4x16	405	357
1-MGH-E 65/2 - 30	200L2A	125	80	1200	500	348	918	255	247	100	600	4x16	450	404
1-MGH-E 65/2 - 37	200L2B	125	80	1200	500	348	918	255	247	100	600	6x16	450	423
1-MGH4-E 65/3 - 4	112M4B	125	80	1000	450	308	878	255	318	100	500	4x16	405	286
1-MGH4-E 65/3 - 5,5	132S4C	125	80	1050	450	308	878	255	318	100	525	4x16	405	297
1-MGH4-E 65/3 - 7,5	132M4B	125	80	1100	450	308	878	255	318	100	550	4x16	405	321
1-MGH-E 65/3 - 30	200L2A	125	80	1250	500	348	918	255	318	150	625	6x16	450	427
1-MGH-E 65/3 - 37	200L2B	125	80	1250	500	348	918	255	318	150	625	6x16	450	446
1-MGH-E 65/3 - 45	225M2A	125	80	1350	550	375	945	255	318	150	675	6x16	500	507
1-MGH-E 65/3 - 55	250M2A	125	80	1400	600	400	970	255	318	150	700	6x16	550	546
1-MGH4-E 65/4 - 5,5	132S4C	125	80	1100	450	308	878	255	389	100	550	4x16	405	320
1-MGH4-E 65/4 - 7,5	132M4B	125	80	1150	450	308	878	255	389	100	575	4x16	405	343
1-MGH4-E 65/4 - 11	160M4B	125	80	1250	450	308	878	255	389	150	625	4x16	405	365
1-MGH-E 65/4 - 37	200L2B	125	80	1350	500	348	918	255	389	150	675	6x16	450	473
1-MGH-E 65/4 - 45	225M2A	125	80	1400	550	375	945	255	389	150	700	6x16	500	531
1-MGH-E 65/4 - 55	250M2A	125	80	1450	600	400	970	255	389	150	725	6x18	550	570
1-MGH-E 65/4 - 75	280S2	125	80	1650	650	452	1022	255	389	150	825	6x18	595	923
1-MGH4-E 65/5 - 5,5/4	132S4C	125	80	1200	450	308	878	255	460	100	600	4x16	405	345
1-MGH4-E 65/5 - 7,5/4	132M4B	125	80	1200	450	328	898	255	460	100	600	4x16	400	372
1-MGH4-E 65/5 - 11/4	160M4B	125	80	1350	450	328	898	255	460	150	675	4x16	400	397
1-MGH-E 65/5 - 45/2	225M2A	125	80	1500	550	375	945	255	460	150	750	6x18	500	559
1-MGH-E 65/5 - 55/2	250M2A	125	80	1550	600	400	970	255	460	150	775	6x18	550	598
1-MGH-E 65/5 - 75/2	280S2	125	80	1700	650	452	1022	255	460	150	850	6x18	595	948
1-MGH-E 65/5 - 90/2	280M2	125	80	1750	650	452	1022	255	460	150	875	6x18	595	1,003

Dimensions



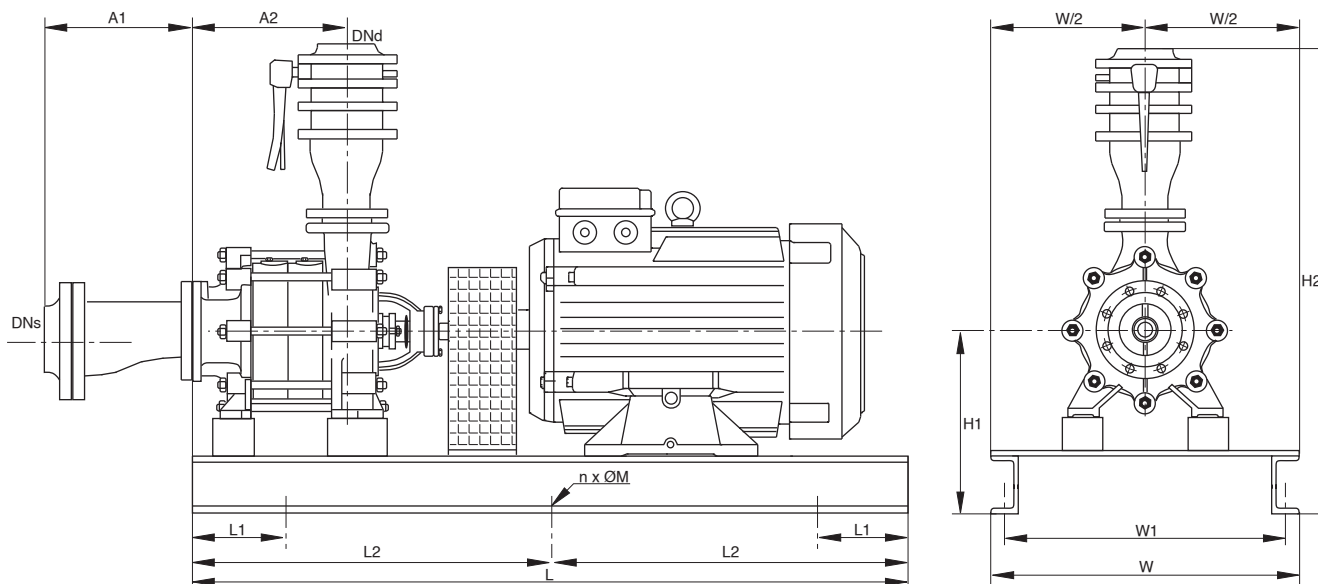
Pump type	Motor	DNs [mm]	DNd [mm]	L [mm]	W [mm]	H1 [mm]	H2 [mm]	A1 [mm]	A2 [mm]	L1 [mm]	L2 [mm]	n X M [nXØmm]	W1 [mm]	Weight [kg]
1-MGH4-E 65/6 - 7,5	132M4B	125	80	1300	450	328	898	255	531	150	650	4x16	400	398
1-MGH4-E 65/6 - 11	160M4B	125	80	1400	450	328	898	255	531	150	700	6x16	400	420
1-MGH4-E 65/6 - 15	160L4A	125	80	1400	450	328	898	255	531	150	700	6x16	400	434
1-MGH-E 65/6 - 55	250M2A	125	80	1600	600	400	970	255	531	150	800	6x18	550	622
1-MGH-E 65/6 - 75	280S2	125	80	1750	650	452	1022	255	531	150	875	6x18	595	973
1-MGH-E 65/6 - 90	280M2	125	80	1850	650	472	1042	255	531	150	925	6x18	590	1,045
1-MGH-E 65/6 - 110	315S2	125	80	1900	700	507	1077	255	531	150	950	6x18	640	1,256
1-MGH4-E 65/7 - 7,5	132M4B	125	80	1350	450	328	898	255	602	150	675	6x16	400	421
1-MGH4-E 65/7 - 11	160M4B	125	80	1450	450	328	898	255	602	150	725	6x16	400	443
1-MGH4-E 65/7 - 15	160L4A	125	80	1450	450	328	898	255	602	150	725	6x16	400	457
1-MGH4-E 65/8 - 11	160M4B	125	80	1550	450	328	898	255	673	150	775	6x16	400	469
1-MGH4-E 65/8 - 15	160L4A	125	80	1550	450	328	898	255	673	150	775	6x16	400	483
1-MGH4-E 65/8 - 18,5	180M4B	125	80	1600	450	330	900	255	673	150	800	6x16	400	527
1-MGH4-E 65/9 - 11	160M4B	125	80	1600	450	328	898	255	744	150	800	6x16	400	492
1-MGH4-E 65/9 - 15	160L4A	125	80	1600	450	330	900	255	744	150	800	6x16	400	518
1-MGH4-E 65/9 - 18,5	180M4B	125	80	1650	450	330	900	255	744	150	825	6x16	400	550
1-MGH4-E 65/10 - 11	160M4B	125	80	1700	450	330	900	255	815	150	850	6x16	400	530
1-MGH4-E 65/10 - 15	160L4A	125	80	1700	450	330	900	255	815	150	850	6x16	400	544
1-MGH4-E 65/10 - 18,5	180M4B	125	80	1750	450	330	900	255	815	150	875	6x18	400	577
1-MGH4-E 65/10 - 22	180L4B	125	80	1750	450	330	900	255	815	150	875	6x18	400	585
1-MGH4-E 65/11 - 15	160L4A	125	80	1750	450	330	900	255	886	150	875	6x18	400	568
1-MGH4-E 65/11 - 18,5	180M4B	125	80	1800	450	330	900	255	886	150	900	6x18	400	600
1-MGH4-E 65/11 - 22	180L4B	125	80	1800	450	330	900	255	886	150	900	6x18	400	608
1-MGH4-E 80/2 - 4	112M4B	150	100	1000	550	338	993	310	280	100	500	4x16	505	272
1-MGH4-E 80/2 - 5,5	132S4C	150	100	1050	550	338	993	310	280	100	525	4x16	505	283
1-MGH4-E 80/2 - 7,5	132M4B	150	100	1100	550	338	993	310	280	100	550	4x16	505	307
1-MGH4-E 80/2 - 11	160M4B	150	100	1200	550	358	1013	310	280	100	600	4x16	500	336
1-MGH4-E 80/2 - 30	200L2A	150	100	1300	550	358	1013	310	280	150	650	6x16	500	415
1-MGH4-E 80/2 - 37	200L2B	150	100	1300	550	358	1013	310	280	150	650	6x16	500	434
1-MGH-E 80/2 - 45	225M2A	150	100	1350	550	375	1030	310	280	150	675	6x16	500	487
1-MGH-E 80/2 - 55	250M2A	150	100	1400	600	400	1055	310	280	150	700	6x18	550	526
1-MGH-E 80/2 - 75	280S2	150	100	1600	650	452	1107	310	280	150	800	6x18	595	878
1-MGH4-E 80/3 - 5,5	132S4C	150	100	1150	550	338	993	310	363	100	575	4x16	505	316
1-MGH4-E 80/3 - 7,5	132M4B	150	100	1200	550	358	1013	310	363	100	600	4x16	500	346
1-MGH4-E 80/3 - 11	160M4B	150	100	1300	550	358	1013	310	363	150	650	6x16	500	369
1-MGH4-E 80/3 - 15	160L4A	150	100	1300	550	358	1013	310	363	150	650	6x16	500	383
1-MGH-E 80/3 - 45	225M2A	150	100	1450	550	375	1030	310	363	150	725	6x18	500	521
1-MGH-E 80/3 - 55	250M2A	150	100	1500	600	400	1055	310	363	150	750	6x18	550	560
1-MGH-E 80/3 - 75	280S2	150	100	1650	650	452	1107	310	363	150	825	6x18	595	909
1-MGH-E 80/3 - 90	280M2	150	100	1700	650	452	1107	310	363	150	850	6x18	595	964
1-MGH4-E 80/4 - 7,5	132M4B	150	100	1250	550	358	1013	310	446	150	625	6x16	500	375
1-MGH4-E 80/4 - 11	160M4B	150	100	1350	550	358	1013	310	446	150	675	6x16	500	398
1-MGH4-E 80/4 - 15	160L4A	150	100	1350	550	358	1013	310	446	150	675	6x16	500	412
1-MGH4-E 80/4 - 18,5	180M4B	150	100	1400	550	360	1015	310	446	150	700	6x16	500	456
1-MGH-E 80/4 - 75	280S2	150	100	1750	650	452	1107	310	446	150	875	6x18	595	945
1-MGH-E 80/4 - 90	280M2	150	100	1800	650	472	1127	310	446	150	900	6x18	590	1011
1-MGH-E 80/4 - 110	315S2	150	100	1850	700	507	1162	310	446	150	925	6x18	640	1222
1-MGH-E 80/4 - 132	315M2A	150	100	1900	700	507	1162	310	446	150	950	6x18	640	1336

Dimensions



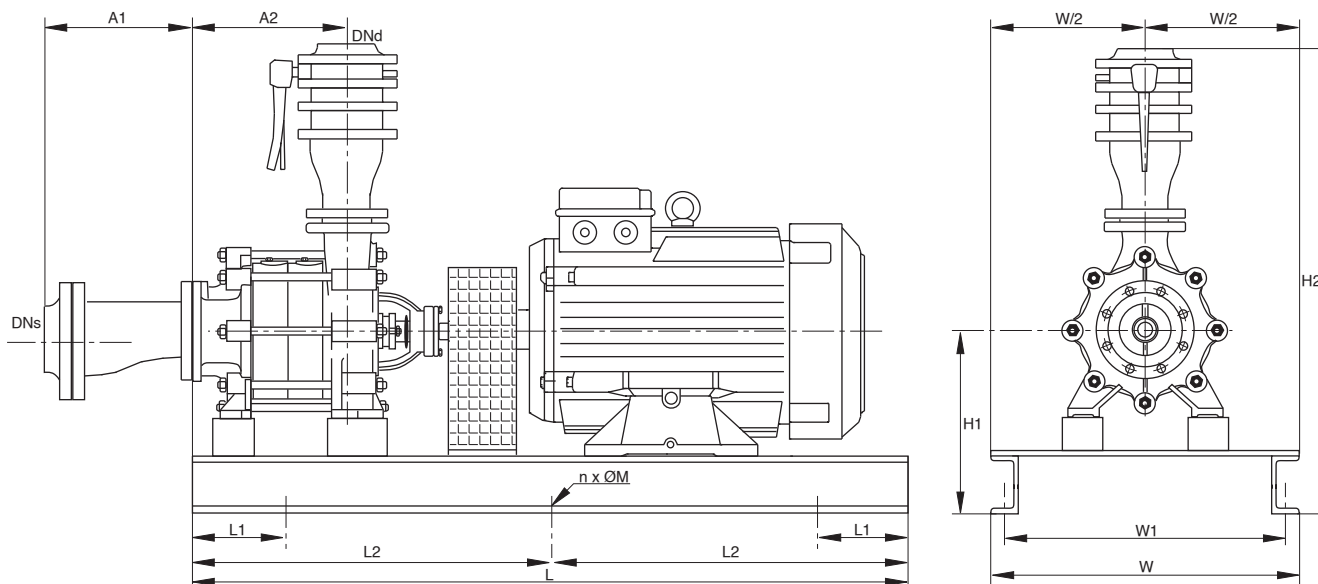
Pump type	Motor	DNs [mm]	DNd [mm]	L [mm]	W [mm]	H1 [mm]	H2 [mm]	A1 [mm]	A2 [mm]	L1 [mm]	L2 [mm]	n X M [nXØmm]	W1 [mm]	Weight [kg]
1-MGH4-E 80/5 - 11	160M4B	150	100	1450	550	358	1013	310	529	150	725	6x16	500	430
1-MGH4-E 80/5 - 15	160L4A	150	100	1450	550	358	1013	310	529	150	725	6x16	500	444
1-MGH4-E 80/5 - 18,5	180M4B	150	100	1500	550	360	1015	310	529	150	750	6x16	500	490
1-MGH4-E 80/5 - 22	180L4B	150	100	1500	550	360	1015	310	529	150	750	6x16	500	498
1-MGH-E 80/5 - 75	280S2	150	100	1850	650	452	1107	310	529	150	925	6x18	595	981
1-MGH-E 80/5 - 90	280M2	150	100	1900	650	472	1127	310	529	150	950	6x18	590	1048
1-MGH-E 80/5 - 110	315S2	150	100	1950	700	507	1162	310	529	150	975	6x18	640	1259
1-MGH-E 80/5 - 132	315M2A	150	100	2000	700	507	1162	310	529	150	1000	6x18	640	1373
1-MGH-E 80/5 - 160	315M2B	150	100	2000	750	527	1182	310	529	150	1000	6x20	690	1521
1-MGH4-E 80/6 - 11	160M4B	150	100	1550	550	360	1015	310	612	150	775	6x16	500	477
1-MGH4-E 80/6 - 15	160L4A	150	100	1550	550	360	1015	310	612	150	775	6x16	500	491
1-MGH4-E 80/6 - 18,5	180M4B	150	100	1600	550	360	1015	310	612	150	800	6x18	500	523
1-MGH4-E 80/6 - 22	180L4B	150	100	1600	550	360	1015	310	612	150	800	6x18	500	531
1-MGH4-E 80/6 - 30	200L4C	150	100	1600	550	380	1035	310	612	150	800	6x18	495	589
1-MGH-E 80/6 - 90	280M2	150	100	1950	650	472	1127	310	612	150	975	6x18	590	1079
1-MGH-E 80/6 - 110	315S2	150	100	2050	700	507	1162	310	612	150	1025	6x18	640	1296
1-MGH-E 80/6 - 132	315M2A	150	100	2100	700	507	1162	310	612	150	1050	6x18	640	1410
1-MGH-E 80/6 - 160	315M2B	150	100	2100	750	527	1182	310	612	150	1050	6x20	690	1559
1-MGH-E 80/6 - 185	315L2A	150	100	2150	750	527	1182	310	612	150	1075	6x20	690	1665
1-MGH4-E 80/7 - 15	160L4A	150	100	1600	550	360	1015	310	695	150	800	6x18	500	520
1-MGH4-E 80/7 - 18,5	180M4B	150	100	1650	550	360	1015	310	695	150	825	6x18	500	553
1-MGH4-E 80/7 - 22	180L4B	150	100	1650	550	360	1015	310	695	150	825	6x18	500	561
1-MGH4-E 80/7 - 30	200L4C	150	100	1700	550	380	1035	310	695	150	850	6x18	495	623
1-MGH4-E 80/8 - 15/	160L4A	150	100	1700	550	360	1015	310	778	150	850	6x18	500	554
1-MGH4-E 80/8 - 18,5	180M4B	150	100	1750	550	380	1035	310	778	150	875	6x18	495	596
1-MGH4-E 80/8 - 22	180L4B	150	100	1750	550	380	1035	310	778	150	875	6x18	495	604
1-MGH4-E 80/8 - 30	200L4C	150	100	1800	550	380	1035	310	778	150	900	6x18	495	657
1-MGH4-E 80/8 - 37	225S4A	150	100	1900	550	395	1050	310	778	150	950	6x18	495	712
1-MGH4-E 80/8 - 45	225M4C	150	100	1900	550	395	1050	310	778	150	950	6x18	495	749
1-MGH4-E 80/9 - 18,5	180M4B	150	100	1850	550	395	1050	310	861	150	925	6x18	495	690
1-MGH4-E 80/9 - 22	180L4B	150	100	1850	550	395	1050	310	861	150	925	6x18	495	698
1-MGH4-E 80/9 - 30	200L4C	150	100	1850	550	395	1050	310	861	150	925	6x18	495	747
1-MGH4-E 80/9 - 37	225S4A	150	100	1950	550	395	1050	310	861	150	975	6x18	495	803
1-MGH4-E 80/9 - 45	225M4C	150	100	1950	550	395	1050	310	861	150	975	6x18	495	840
1-MGH4-E 80/10 - 18,5	180M4B	150	100	1900	550	395	1050	310	944	150	950	6x18	495	720
1-MGH4-E 80/10 - 22	180L4B	150	100	1900	550	395	1050	310	944	150	950	6x18	495	728
1-MGH4-E 80/10 - 30	200L4C	150	100	1950	550	395	1050	310	944	150	975	6x18	495	782
1-MGH4-E 80/10 - 37	225S4A	150	100	2050	550	395	1050	310	944	150	1025	6x18	495	837
1-MGH4-E 80/10 - 45	225M4C	150	100	2050	550	395	1050	310	944	150	1025	6x18	495	874
1-MGH4-E 100/2 - 15	160L4A	200	125	1350	600	400	1200	335	347	150	675	6x16	550	456
1-MGH4-E 100/2 - 18,5	180M4B	200	125	1400	600	400	1200	335	347	150	700	6x16	550	489
1-MGH4-E 100/2 - 22	180L4B	200	125	1400	600	400	1200	335	347	150	700	6x16	550	497
1-MGH4-E 100/2 - 30	200L4C	200	125	1400	600	400	1200	335	347	150	700	6x18	550	546
1-MGH4-E 100/3 - 22	180L4B	200	125	1500	600	400	1200	335	447	150	750	6x18	550	547
1-MGH4-E 100/3 - 30	200L4C	200	125	1500	600	420	1220	335	447	150	750	6x18	545	604
1-MGH4-E 100/3 - 37	225S4A	200	125	1600	600	420	1220	335	447	150	800	6x18	545	660

Dimensions



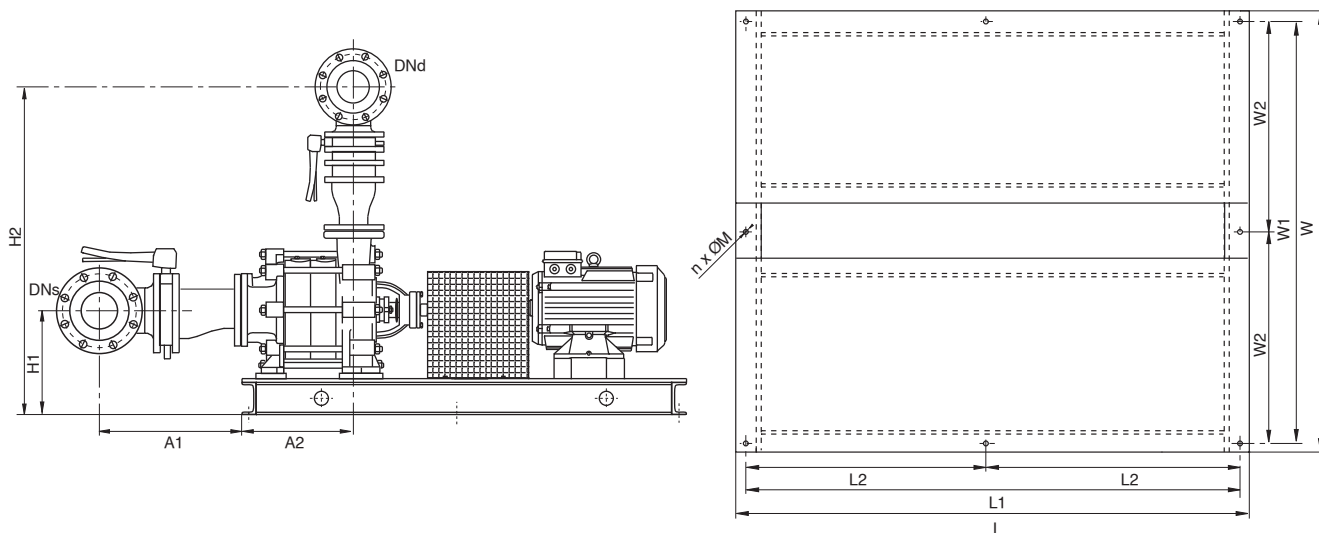
Pump type	Motor	DN _s [mm]	DN _d [mm]	L [mm]	W [mm]	H ₁ [mm]	H ₂ [mm]	A ₁ [mm]	A ₂ [mm]	L ₁ [mm]	L ₂ [mm]	n X M [nXØmm]	W ₁ [mm]	Weight [kg]
1-MGH4-E 100/4 - 30	200L4C	200	125	1600	600	420	1220	335	547	150	800	6x18	545	655
1-MGH4-E 100/4 - 37	225S4A	200	125	1700	600	420	1220	335	547	150	850	6x18	545	710
1-MGH4-E 100/4 - 45	225M4C	200	125	1700	600	420	1220	335	547	150	850	6x18	545	747
1-MGH4-E 100/4 - 55	250M4C	200	125	1750	600	420	1220	335	547	150	875	6x18	545	771
1-MGH4-E 100/5 - 37	225S4A	200	125	1800	600	420	1220	335	647	150	900	6x18	545	760
1-MGH4-E 100/5 - 45	225M4C	200	125	1800	600	420	1220	335	647	150	900	6x18	545	797
1-MGH4-E 100/5 - 55	250M4C	200	125	1850	600	422	1222	335	647	150	925	6x18	545	839
1-MGH4-E 100/5 - 75	280S4	200	125	2000	650	472	1272	335	647	150	1000	6x18	590	1125
1-MGH4-E 100/6 - 45	225M4C	200	125	1900	600	422	1222	335	747	150	950	6x18	545	866
1-MGH4-E 100/6 - 55	250M4C	200	125	1950	600	422	1222	335	747	150	975	6x18	545	891
1-MGH4-E 100/6 - 75	280S4	200	125	2100	650	472	1272	335	747	150	1050	6x18	590	1178
1-MGH4-E 100/7 - 45	225M4C	200	125	2000	600	422	1222	335	847	150	1000	6x18	545	917
1-MGH4-E 100/7 - 55	250M4C	200	125	2050	600	422	1222	335	847	150	1025	6x18	545	942
1-MGH4-E 100/7 - 75	280S4	200	125	2200	650	472	1272	335	847	150	1100	6x18	590	1231
1-MGH4-E 100/7 - 90	280M4	200	125	2250	650	472	1272	335	847	150	1125	6x18	590	1316
1-MGH4-E 100/8 - 55	250M4C	200	125	2150	600	422	1222	335	947	150	1075	6x18	545	993
1-MGH4-E 100/8 - 75	280S4	200	125	2300	650	472	1272	335	947	150	1150	6x18	590	1283
1-MGH4-E 100/8 - 90	280M4	200	125	2350	650	472	1272	335	947	150	1175	6x18	590	1368
1-MGH4-E 100/8 - 110	315S4	200	125	2450	750	527	1327	335	947	150	1225	6x20	690	1578
1-MGH4-E 100/9 - 75	280S4	200	125	2400	650	472	1272	335	1047	150	1200	6x18	590	1336
1-MGH4-E 100/9 - 90	280M4	200	125	2450	650	472	1272	335	1047	150	1225	6x18	590	1421
1-MGH4-E 100/9 - 110	315S4	200	125	2550	750	527	1327	335	1047	150	1275	6x20	690	1632
1-MGH4-E 100/10 - 75	280S4	200	125	2500	650	472	1272	335	1147	150	1250	6x18	590	1388
1-MGH4-E 100/10 - 90	280M4	200	125	2550	650	472	1272	335	1147	150	1275	6x18	590	1473
1-MGH4-E 100/10 - 110	315S4	200	125	2650	750	527	1327	335	1147	150	1325	6x20	690	1686
1-MGH4-E 100/10 - 132	315M4A	200	125	2700	750	527	1327	335	1147	150	1350	6x20	690	1812
1-MGH4-E 125/2 - 37	225S4A	250	150	1550	750	472	1382	375	364	150	775	6x18	695	840
1-MGH4-E 125/2 - 45	225M4C	250	150	1550	750	472	1382	375	364	150	775	6x18	695	877
1-MGH4-E 125/2 - 55	250M4C	250	150	1550	750	472	1382	375	364	150	775	6x18	695	897
1-MGH4-E 125/3 - 55	250M4C	250	150	1700	750	492	1402	375	479	150	850	6x18	690	999
1-MGH4-E 125/3 - 75	280S4	250	150	1850	750	492	1402	375	479	150	925	6x18	690	1266
1-MGH4-E 125/4 - 75	280S4	250	150	1950	750	492	1402	375	594	150	975	6x18	690	1353
1-MGH4-E 125/4 - 90	280M4	250	150	2000	750	492	1402	375	594	150	1000	6x18	690	1438
1-MGH4-E 125/4 - 110	315S4	250	150	2100	750	527	1437	375	594	150	1050	6x20	690	1624
1-MGH4-E 125/5 - 90	280M4	250	150	2150	750	512	1422	375	709	150	1075	6x20	690	1545
1-MGH4-E 125/5 - 110	315S4	250	150	2250	750	527	1437	375	709	150	1125	6x20	690	1717
1-MGH4-E 125/5 - 132	315M4A	250	150	2300	750	527	1437	375	709	150	1150	6x20	690	1843
1-MGH4-E 125/6 - 110	315S4	250	150	2350	750	527	1437	375	824	150	1175	6x20	690	1804
1-MGH4-E 125/6 - 132	315M4A	250	150	2400	750	527	1437	375	824	150	1200	6x20	690	1930
1-MGH4-E 125/6 - 160	315M4B	250	150	2400	750	527	1437	375	824	150	1200	6x20	690	2055
1-MGH4-E 125/7 - 132	315M4A	250	150	2500	750	527	1437	375	939	150	1250	6x20	690	2017
1-MGH4-E 125/7 - 160	315M4B	250	150	2500	750	527	1437	375	939	150	1250	6x20	690	2142
1-MGH4-E 125/7 - 185	315L4A	250	150	2600	750	527	1437	375	939	150	1300	6x20	690	2254
1-MGH4-E 125/8 - 160	315M4B	250	150	2650	750	527	1437	375	1054	150	1325	6x20	690	2235
1-MGH4-E 125/8 - 185	315L4A	250	150	2700	750	527	1437	375	1054	150	1350	6x20	690	2341
1-MGH4-E 125/8 - 200	315L4B	250	150	2700	750	527	1437	375	1054	150	1350	6x20	690	2391

Dimensions



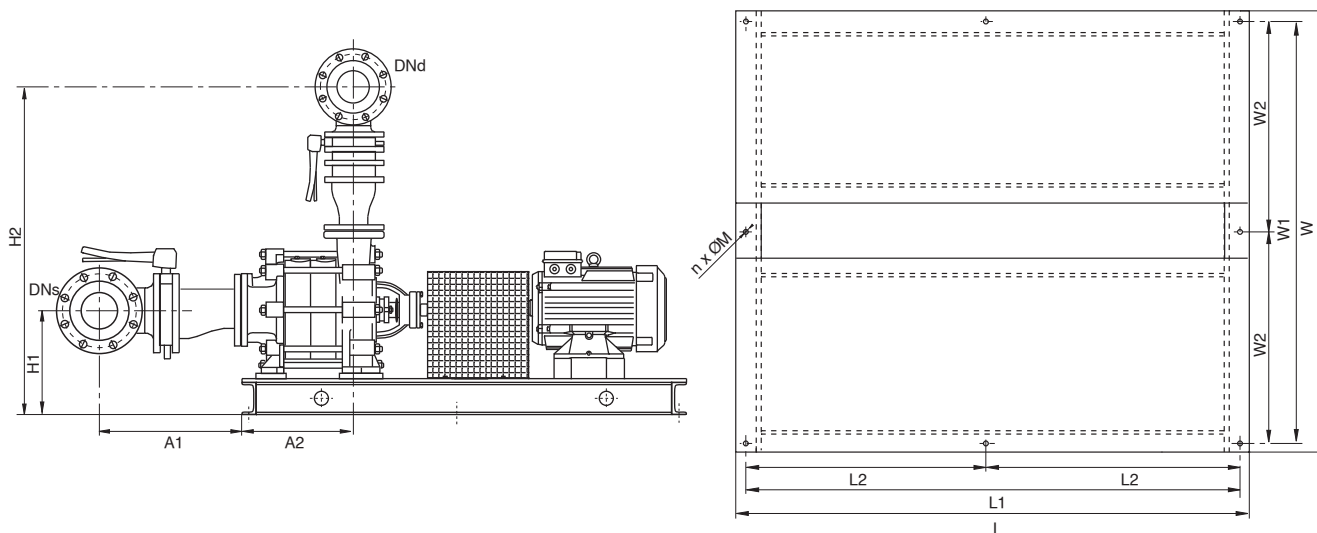
Pump type	Motor	DNs [mm]	DNd [mm]	L [mm]	W [mm]	H1 [mm]	H2 [mm]	A1 [mm]	A2 [mm]	L1 [mm]	L2 [mm]	n x M [nXØmm]	W1 [mm]	Weight [kg]
1-MGH4-E 150/2 - 75	280S4	250	200	1900	850	562	1607	375	437	150	950	6x18	790	1518
1-MGH4-E 150/2 - 90	280M4	250	200	1950	850	562	1607	375	437	150	975	6x20	790	1605
1-MGH4-E 150/2 - 110	315S4	250	200	2050	850	562	1607	375	437	150	1025	6x20	790	1778
1-MGH4-E 150/2 - 132	315M4A	250	200	2100	850	562	1607	375	437	150	1050	6x20	790	1904
1-MGH4-E 150/3 - 90	280M4	250	200	2100	850	562	1607	375	582	150	1050	6x20	790	1744
1-MGH4-E 150/3 - 110	315S4	250	200	2200	850	562	1607	375	582	150	1100	6x20	790	1917
1-MGH4-E 150/3 - 132	315M4A	250	200	2250	850	562	1607	375	582	150	1125	6x20	790	2044
1-MGH4-E 150/3 - 160	315M4B	250	200	2250	850	562	1607	375	582	150	1125	6x20	790	2169
1-MGH4-E 150/3 - 185	315L4A	250	200	2300	850	562	1607	375	582	150	1150	6x20	790	2276
1-MGH4-E 150/4 - 132	315M4A	250	200	2350	850	562	1607	375	727	150	1175	6x20	790	2177
1-MGH4-E 150/4 - 160	315M4B	250	200	2350	850	562	1607	375	727	150	1175	6x20	790	2302
1-MGH4-E 150/4 - 185	315L4A	250	200	2450	850	562	1607	375	727	150	1225	6x20	790	2415
1-MGH4-E 150/4 - 200	315L4B	250	200	2450	850	562	1607	375	727	150	1225	6x20	790	2465
1-MGH4-E 150/4 - 250	355M4A	250	200	2600	850	567	1612	375	727	150	1300	6x20	790	2770
1-MGH4-E 150/5 - 160	315M4B	250	200	2500	850	562	1607	375	872	150	1250	6x20	790	2442
1-MGH4-E 150/5 - 185	315L4A	250	200	2600	850	562	1607	375	872	150	1300	6x20	790	2555
1-MGH4-E 150/5 - 200	315L4B	250	200	2600	850	562	1607	375	872	150	1300	6x20	790	2605
1-MGH4-E 150/5 - 250	355M4A	250	200	2750	850	567	1612	375	872	150	1375	6x20	790	2909
1-MGH4-E 150/5 - 315	355M4B	250	200	2750	850	567	1612	375	872	150	1375	6x20	790	3116

Dimensions



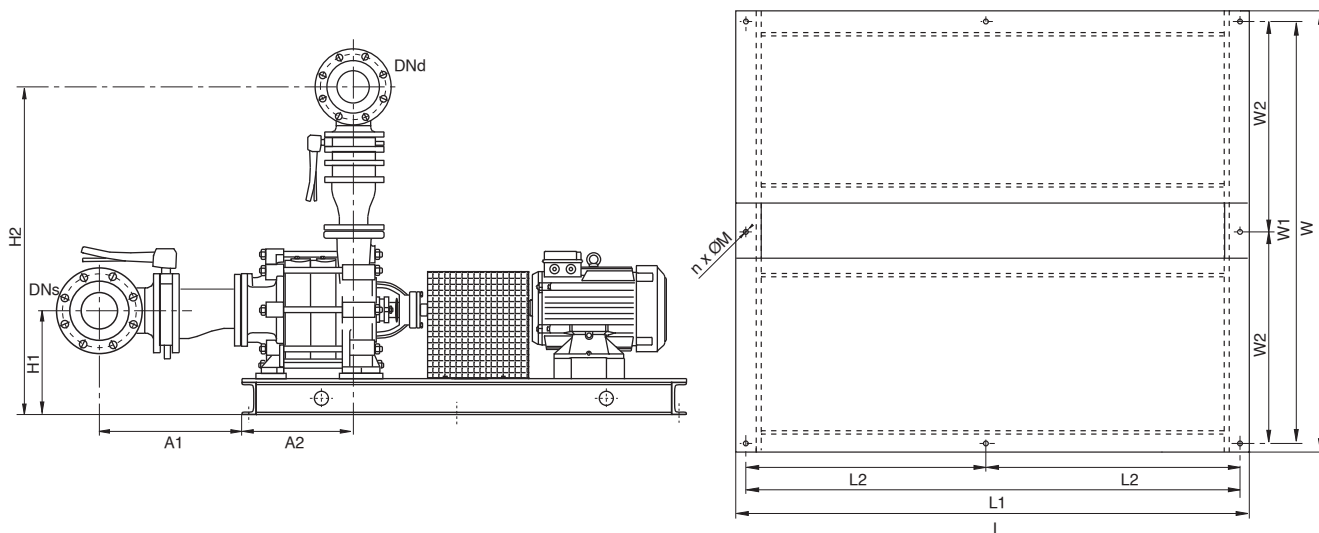
Pump type	Motor	DNs [mm]	DNd [mm]	L [mm]	W [mm]	H1 [mm]	H2 [mm]	A1 [mm]	A2 [mm]	L1 [mm]	L2 [mm]	n x M [nxØmm]	W1 [mm]	W2 [mm]	Weight [kg]
2-MGH4-E 40/2 - 0,55	80M4A	80	65	700	1500	246	703	373	187	660	330	6x16	1460	730	343
2-MGH4-E 40/2 - 0,75	80M4B	80	65	700	1500	246	703	373	187	660	330	6x16	1460	730	345
2-MGH4-E 40/2 - 1,1	90S4A	80	65	750	1500	246	703	373	187	710	355	6x16	1460	730	353
2-MGH-E 40/2 - 4	112M2A	80	65	800	1500	266	723	373	187	750	375	6x16	1450	725	394
2-MGH-E 40/2 - 5,5	132S2A	80	65	900	1500	266	723	373	187	850	425	6x16	1450	725	416
2-MGH-E 40/2 - 7,5	132S2C	80	65	900	1500	266	723	373	187	850	425	6x16	1450	725	430
2-MGH-E 40/2 - 11	160M2A	80	65	1000	1500	266	723	373	187	950	475	6x16	1450	725	499
2-MGH4-E 40/3 - 0,75	80M4B	80	65	750	1500	246	703	373	242	710	355	6x16	1460	730	368
2-MGH4-E 40/3 - 1,1	90S4A	80	65	800	1500	266	723	373	242	750	375	6x16	1450	725	381
2-MGH4-E 40/3 - 1,5	90L4A	80	65	800	1500	266	723	373	242	750	375	6x16	1450	725	385
2-MGH4-E 40/3 - 2,2	100L4A	80	65	850	1500	266	723	373	242	800	400	6x16	1450	725	401
2-MGH-E 40/3 - 5,5	132S2A	80	65	900	1500	266	723	373	242	850	425	6x16	1450	725	435
2-MGH-E 40/3 - 7,5	132S2C	80	65	900	1500	266	723	373	242	850	425	6x16	1450	725	449
2-MGH-E 40/3 - 11	160M2A	80	65	1100	1500	288	745	373	242	1050	525	6x16	1450	725	554
2-MGH-E 40/3 - 15	160M2B	80	65	1100	1500	288	745	373	242	1050	525	6x16	1450	725	568
2-MGH4-E 40/4 - 1,1	90S4A	80	65	850	1500	266	723	373	297	800	400	6x16	1450	725	404
2-MGH4-E 40/4 - 1,5	90L4A	80	65	850	1500	266	723	373	297	800	400	6x16	1450	725	408
2-MGH4-E 40/4 - 2,2	100L4A	80	65	900	1500	266	723	373	297	850	425	6x16	1450	725	424
2-MGH-E 40/4 - 7,5	132S2C	80	65	1000	1500	266	723	373	297	950	475	6x16	1450	725	476
2-MGH-E 40/4 - 11	160M2A	80	65	1150	1500	288	745	373	297	1100	550	6x16	1450	725	579
2-MGH-E 40/4 - 15	160M2B	80	65	1150	1500	288	745	373	297	1100	550	6x16	1450	725	593
2-MGH-E 40/4 - 18,5	160L2A	80	65	1150	1500	288	745	373	297	1100	550	6x16	1450	725	623
2-MGH4-E 40/5 - 1,1	90S4A	80	65	900	1500	266	723	373	352	850	425	6x16	1450	725	427
2-MGH4-E 40/5 - 1,5	90L4A	80	65	900	1500	266	723	373	352	850	425	6x16	1450	725	431
2-MGH4-E 40/5 - 2,2	100L4A	80	65	950	1500	266	723	373	352	900	450	6x16	1450	725	447
2-MGH4-E 40/5 - 3	100L4B	80	65	950	1500	266	723	373	352	900	450	6x16	1450	725	453
2-MGH-E 40/5 - 11	160M2A	80	65	1200	1500	288	745	373	352	1150	575	6x16	1450	725	603
2-MGH-E 40/5 - 15	160M2B	80	65	1200	1500	288	745	373	352	1150	575	6x16	1450	725	617
2-MGH-E 40/5 - 18,5	160L2A	80	65	1200	1500	288	745	373	352	1150	575	6x16	1450	725	647
2-MGH-E 40/5 - 22	180M2A	80	65	1200	1500	308	765	373	352	1150	575	6x16	1450	725	693
2-MGH4-E 40/6 - 1,5	90L4A	80	65	950	1500	266	723	373	407	900	450	6x16	1450	725	454
2-MGH4-E 40/6 - 2,2	100L4A	80	65	1000	1500	266	723	373	407	950	475	6x16	1450	725	469
2-MGH4-E 40/6 - 3	100L4B	80	65	1000	1500	266	723	373	407	950	475	6x16	1450	725	475
2-MGH4-E 40/6 - 4	112M4B	80	65	1050	1500	266	723	373	407	1000	500	6x16	1450	725	493
2-MGH-E 40/6 - 11	160M2A	80	65	1250	1500	288	745	373	407	1200	600	6x16	1450	725	628
2-MGH-E 40/6 - 15	160M2B	80	65	1250	1500	288	745	373	407	1200	600	6x16	1450	725	642
2-MGH-E 40/6 - 18,5	160L2A	80	65	1250	1500	288	745	373	407	1200	600	6x16	1450	725	672
2-MGH-E 40/6 - 22	180M2A	80	65	1300	1500	308	765	373	407	1250	625	6x16	1450	725	723
2-MGH-E 40/6 - 30	200L2A	80	65	1300	1500	348	805	373	407	1250	625	6x16	1450	725	813
2-MGH4-E 40/7 - 2,2	100L4A	80	65	1100	1500	266	723	373	462	1050	525	6x16	1450	725	496
2-MGH4-E 40/7 - 3	100L4B	80	65	1100	1500	266	723	373	462	1050	525	6x16	1450	725	502
2-MGH4-E 40/7 - 4	112M4B	80	65	1100	1500	288	745	373	462	1050	525	6x16	1450	725	547
2-MGH-E 40/7 - 15	160M2B	80	65	1300	1500	288	745	373	462	1250	625	6x16	1450	725	666
2-MGH-E 40/7 - 18,5	160L2A	80	65	1300	1500	288	745	373	462	1250	625	6x16	1450	725	696
2-MGH-E 40/7 - 22	180M2A	80	65	1350	1500	308	765	373	462	1300	650	6x16	1450	725	748
2-MGH-E 40/7 - 30	200L2A	80	65	1350	1500	348	805	373	462	1300	650	8x16	1450	725	838

Dimensions



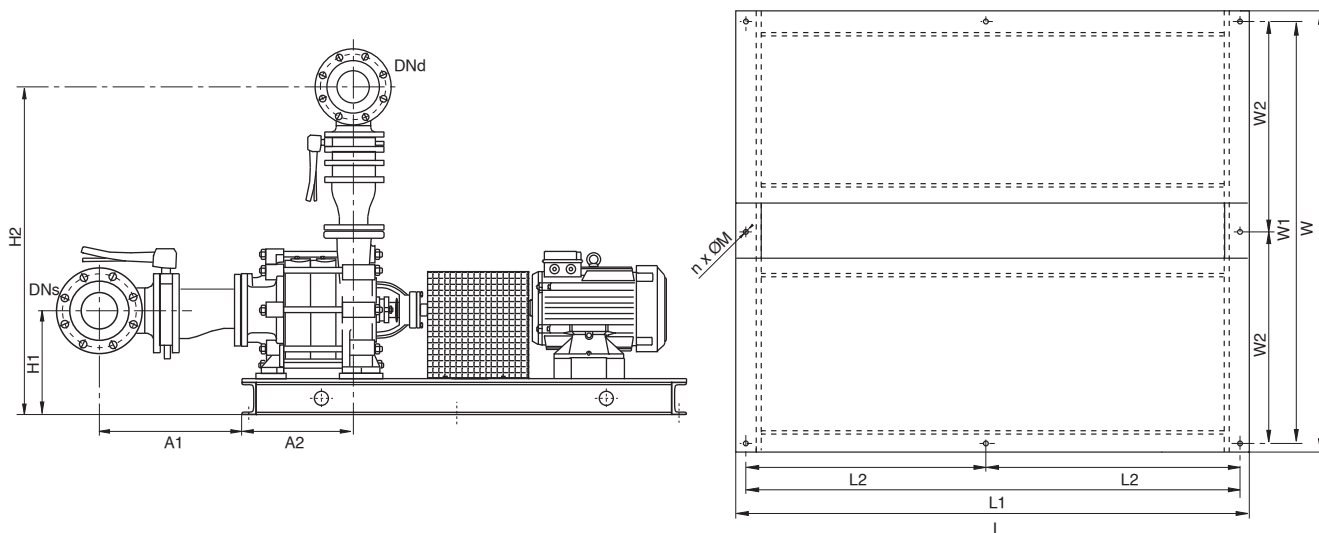
Pump type	Motor	DNs [mm]	DNd [mm]	L [mm]	W [mm]	H1 [mm]	H2 [mm]	A1 [mm]	A2 [mm]	L1 [mm]	L2 [mm]	n x M [nxØmm]	W1 [mm]	W2 [mm]	Weight [kg]
2-MGH4-E 40/8 - 2,2	100L4A	80	65	1100	1500	288	745	373	517	1050	525	6x16	1450	725	539
2-MGH4-E 40/8 - 3	100L4B	80	65	1100	1500	288	745	373	517	1050	525	6x16	1450	725	545
2-MGH4-E 40/8 - 4	112M4B	80	65	1150	1500	288	745	373	517	1100	550	6x16	1450	725	571
2-MGH4-E 40/8 - 5,5	132S4C	80	65	1200	1500	288	745	373	517	1150	575	6x16	1450	725	593
2-MGH-E 40/8 - 15	160M2B	80	65	1350	1500	288	745	373	517	1300	650	6x16	1450	725	691
2-MGH-E 40/8 - 18,5	160L2A	80	65	1350	1500	288	745	373	517	1300	650	6x16	1450	725	721
2-MGH-E 40/8 - 22	180M2A	80	65	1400	1500	308	765	373	517	1350	675	6x16	1450	725	772
2-MGH-E 40/8 - 30	200L2A	80	65	1450	1500	348	805	373	517	1400	700	8x16	1450	725	870
2-MGH-E 40/8 - 37	200L2B	80	65	1450	1500	348	805	373	517	1400	700	8x16	1450	725	908
2-MGH4-E 40/9 - 2,2	100L4A	80	65	1200	1500	288	745	373	572	1150	575	6x16	1450	725	568
2-MGH4-E 40/9 - 3	100L4B	80	65	1200	1500	288	745	373	572	1150	575	6x16	1450	725	574
2-MGH4-E 40/9 - 4	112M4B	80	65	1200	1500	288	745	373	572	1150	575	6x16	1450	725	596
2-MGH4-E 40/9 - 5,5	132S4C	80	65	1250	1500	288	745	373	572	1200	600	6x16	1450	725	617
2-MGH-E 40/9 - 18,5	160L2A	80	65	1400	1500	288	745	373	572	1350	675	6x16	1450	725	745
2-MGH-E 40/9 - 22	180M2A	80	65	1450	1500	328	785	373	572	1400	700	6x16	1450	725	812
2-MGH-E 40/9 - 30	200L2A	80	65	1500	1500	348	805	373	572	1450	725	8x16	1450	725	895
2-MGH-E 40/9 - 37	200L2B	80	65	1500	1500	348	805	373	572	1450	725	8x16	1450	725	933
2-MGH4-E 40/10 - 2,2	100L4A	80	65	1250	1500	288	745	373	627	1200	600	6x16	1450	725	592
2-MGH4-E 40/10 - 3	100L4B	80	65	1250	1500	288	745	373	627	1200	600	6x16	1450	725	598
2-MGH4-E 40/10 - 4	112M4B	80	65	1250	1500	288	745	373	627	1200	600	6x16	1450	725	620
2-MGH4-E 40/10 - 5,5	132S4C	80	65	1300	1500	288	745	373	627	1250	625	6x16	1450	725	641
2-MGH-E 40/10 - 18,5	160L2A	80	65	1450	1500	288	745	373	627	1400	700	6x16	1450	725	770
2-MGH-E 40/10 - 22	180M2A	80	65	1500	1500	328	785	373	627	1450	725	8x16	1450	725	837
2-MGH-E 40/10 - 30	200L2A	80	65	1550	1500	348	805	373	627	1500	750	8x16	1450	725	921
2-MGH-E 40/10 - 37	200L2B	80	65	1550	1500	348	805	373	627	1500	750	8x16	1450	725	959
2-MGH-E 40/10 - 45	225M2A	80	65	1600	1500	375	832	373	627	1550	775	8x16	1450	725	1081
2-MGH4-E 40/11 - 3	100L4B	80	65	1300	1500	288	745	373	682	1250	625	6x16	1450	725	622
2-MGH4-E 40/11 - 4	112M4B	80	65	1300	1500	288	745	373	682	1250	625	6x16	1450	725	644
2-MGH4-E 40/11 - 5,5	132S4C	80	65	1350	1500	288	745	373	682	1300	650	6x16	1450	725	665
2-MGH4-E 40/11 - 7,5	132M4B	80	65	1400	1500	288	745	373	682	1350	675	6x16	1450	725	712
2-MGH-E 40/11 - 22	180M2A	80	65	1550	1500	328	785	373	682	1500	750	8x16	1450	725	862
2-MGH-E 40/11 - 30	200L2A	80	65	1600	1500	348	805	373	682	1550	775	8x16	1450	725	946
2-MGH-E 40/11 - 37	200L2B	80	65	1600	1500	348	805	373	682	1550	775	8x16	1450	725	984
2-MGH-E 40/11 - 45	225M2A	80	65	1650	1500	375	832	373	682	1600	800	8x16	1450	725	1107
2-MGH4-E 40/12 - 3	100L4B	80	65	1350	1500	288	745	373	737	1300	650	6x16	1450	725	646
2-MGH4-E 40/12 - 4	112M4B	80	65	1350	1500	288	745	373	737	1300	650	6x16	1450	725	668
2-MGH4-E 40/12 - 5,5	132S4C	80	65	1400	1500	288	745	373	737	1350	675	6x16	1450	725	689
2-MGH4-E 40/12 - 7,5	132M4B	80	65	1450	1500	288	745	373	737	1400	700	6x16	1450	725	737
2-MGH4-E 40/13 - 3	100L4B	80	65	1400	1500	288	745	373	792	1350	675	6x16	1450	725	670
2-MGH4-E 40/13 - 4	112M4B	80	65	1400	1500	288	745	373	792	1350	675	6x16	1450	725	692
2-MGH4-E 40/13 - 5,5	132S4C	80	65	1500	1500	288	745	373	792	1450	725	6x16	1450	725	719
2-MGH4-E 40/13 - 7,5	132M4B	80	65	1500	1500	288	745	373	792	1450	725	6x16	1450	725	761
2-MGH4-E 50/2 - 1,1	90S4A	100	80	800	1500	266	781	410	212	750	375	6x16	1450	725	476
2-MGH4-E 50/2 - 1,5	90L4A	100	80	800	1500	266	781	410	212	750	375	6x16	1450	725	480
2-MGH4-E 50/2 - 2,2	100L4A	100	80	850	1500	266	781	410	212	800	400	6x16	1450	725	496
2-MGH-E 50/2 - 7,5	132S2C	100	80	900	1500	288	803	410	212	850	425	6x16	1450	725	561
2-MGH-E 50/2 - 11	160M2A	100	80	1050	1500	288	803	410	212	1000	500	6x16	1450	725	640
2-MGH-E 50/2 - 15	160M2B	100	80	1050	1500	288	803	410	212	1000	500	6x16	1450	725	654

Dimensions



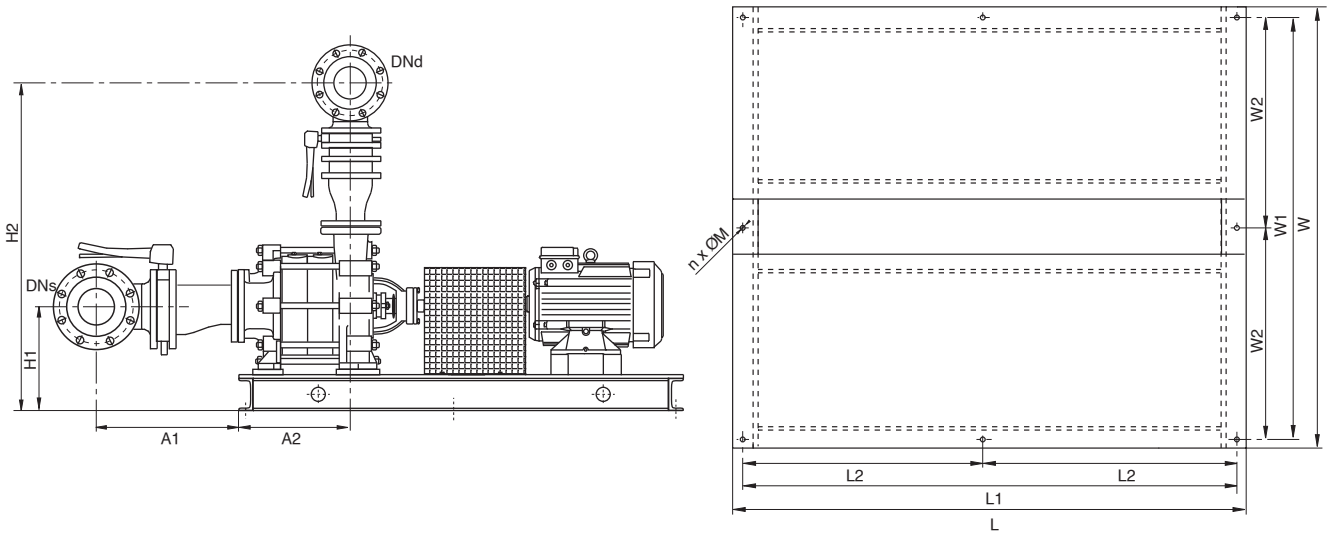
Pump type	Motor	DNs [mm]	DNd [mm]	L [mm]	W [mm]	H1 [mm]	H2 [mm]	A1 [mm]	A2 [mm]	L1 [mm]	L2 [mm]	n x M [nxØmm]	W1 [mm]	W2 [mm]	Weight [kg]
2-MGH4-E 50/3 - 1,5	90L4A	100	80	850	1500	266	781	410	274	800	400	6x16	1450	725	510
2-MGH4-E 50/3 - 2,2	100L4A	100	80	900	1500	266	781	410	274	850	425	6x16	1450	725	526
2-MGH4-E 50/3 - 3	100L4B	100	80	900	1500	288	803	410	274	850	425	6x16	1450	725	553
2-MGH-E 50/3 - 11	160M2A	100	80	1150	1500	288	803	410	274	1100	550	6x16	1450	725	677
2-MGH-E 50/3 - 15	160M2B	100	80	1150	1500	288	803	410	274	1100	550	6x16	1450	725	691
2-MGH-E 50/3 - 18,5	160L2A	100	80	1150	1500	288	803	410	274	1100	550	6x16	1450	725	721
2-MGH-E 50/3 - 22	180M2A	100	80	1150	1500	308	823	410	274	1100	550	6x16	1450	725	767
2-MGH4-E 50/4 - 2,2	100L4A	100	80	950	1500	288	803	410	336	900	450	6x16	1450	725	579
2-MGH4-E 50/4 - 3	100L4B	100	80	950	1500	288	803	410	336	900	450	6x16	1450	725	585
2-MGH4-E 50/4 - 4	112M4B	100	80	1000	1500	288	803	410	336	950	475	6x16	1450	725	604
2-MGH-E 50/4 - 15	160M2B	100	80	1200	1500	288	803	410	336	1150	575	6x16	1450	725	722
2-MGH-E 50/4 - 18,5	160L2A	100	80	1200	1500	288	803	410	336	1150	575	6x16	1450	725	752
2-MGH-E 50/4 - 22	180M2A	100	80	1250	1500	328	843	410	336	1200	600	6x16	1450	725	817
2-MGH-E 50/4 - 30	200L2A	100	80	1250	1500	348	863	410	336	1200	600	8x16	1450	725	893
2-MGH4-E 50/5 - 2,2	100L4A	100	80	1050	1500	288	803	410	398	1000	500	6x16	1450	725	615
2-MGH4-E 50/5 - 3	100L4B	100	80	1050	1500	288	803	410	398	1000	500	6x16	1450	725	621
2-MGH4-E 50/5 - 4	112M4B	100	80	1050	1500	288	803	410	398	1000	500	6x16	1450	725	635
2-MGH4-E 50/5 - 5,5	132S4C	100	80	1100	1500	288	803	410	398	1050	525	6x16	1450	725	656
2-MGH-E 50/5 - 18,5	160L2A	100	80	1250	1500	288	803	410	398	1200	600	6x16	1450	725	784
2-MGH-E 50/5 - 22	180M2A	100	80	1300	1500	328	843	410	398	1250	625	6x16	1450	725	849
2-MGH-E 50/5 - 30	200L2A	100	80	1350	1500	348	863	410	398	1300	650	8x16	1450	725	931
2-MGH-E 50/5 - 37	200L2B	100	80	1350	1500	348	863	410	398	1300	650	8x16	1450	725	969
2-MGH-E 50/6 - 22	180M2A	100	80	1350	1500	328	843	410	460	1300	650	8x16	1450	725	881
2-MGH4-E 50/6 - 3	100L4B	100	80	1100	1500	288	803	410	460	1050	525	6x16	1450	725	652
2-MGH4-E 50/6 - 4	112M4B	100	80	1100	1500	288	803	410	460	1050	525	6x16	1450	725	666
2-MGH4-E 50/6 - 5,5	132S4C	100	80	1150	1500	288	803	410	460	1100	550	6x16	1450	725	687
2-MGH4-E 50/6 - 7,5	132M4B	100	80	1200	1500	288	803	410	460	1150	575	6x16	1450	725	735
2-MGH-E 50/6 - 30	200L2A	100	80	1400	1500	348	863	410	460	1350	675	8x16	1450	725	964
2-MGH-E 50/6 - 37	200L2B	100	80	1400	1500	348	863	410	460	1350	675	8x16	1450	725	1002
2-MGH-E 50/6 - 45	225M2A	100	80	1450	1500	375	890	410	460	1400	700	8x16	1450	725	1120
2-MGH4-E 50/7 - 3	100L4B	100	80	1150	1500	288	803	410	522	1100	550	6x16	1450	725	683
2-MGH4-E 50/7 - 4	112M4B	100	80	1200	1500	288	803	410	522	1150	575	6x16	1450	725	703
2-MGH4-E 50/7 - 5,5	132S4C	100	80	1250	1500	288	803	410	522	1200	600	6x16	1450	725	724
2-MGH4-E 50/7 - 7,5	132M4B	100	80	1250	1500	288	803	410	522	1200	600	6x16	1450	725	766
2-MGH-E 50/7 - 30	200L2A	100	80	1450	1500	348	863	410	522	1400	700	8x16	1450	725	996
2-MGH-E 50/7 - 37	200L2B	100	80	1450	1500	348	863	410	522	1400	700	8x16	1450	725	1034
2-MGH-E 50/7 - 45	225M2A	100	80	1550	1500	375	890	410	522	1500	750	8x16	1450	725	1161
2-MGH-E 50/7 - 55	250M2A	100	80	1550	1500	400	915	410	522	1500	750	8x18	1450	725	1231
2-MGH4-E 50/8 - 4	112M4B	100	80	1250	1500	288	803	410	584	1200	600	6x16	1450	725	734
2-MGH4-E 50/8 - 5,5	132S4C	100	80	1300	1500	288	803	410	584	1250	625	6x16	1450	725	755
2-MGH4-E 50/8 - 7,5	132M4B	100	80	1350	1500	308	823	410	584	1300	650	6x16	1450	725	816
2-MGH4-E 50/8 - 11	160M4B	100	80	1450	1500	308	823	410	584	1400	700	6x16	1450	725	869
2-MGH-E 50/8 - 30	200L2A	100	80	1500	1500	348	863	410	584	1450	725	8x16	1450	725	1028
2-MGH-E 50/8 - 37	200L2B	100	80	1500	1500	350	865	410	584	1450	725	8x16	1450	725	1090
2-MGH-E 50/8 - 45	225M2A	100	80	1600	1500	375	890	410	584	1550	775	8x18	1450	725	1195
2-MGH-E 50/8 - 55	250M2A	100	80	1650	1500	400	915	410	584	1600	800	8x18	1450	725	1273
2-MGH-E 50/8 - 75	280S2	100	80	1800	1500	452	967	410	584	1740	870	8x18	1440	720	1978

Dimensions



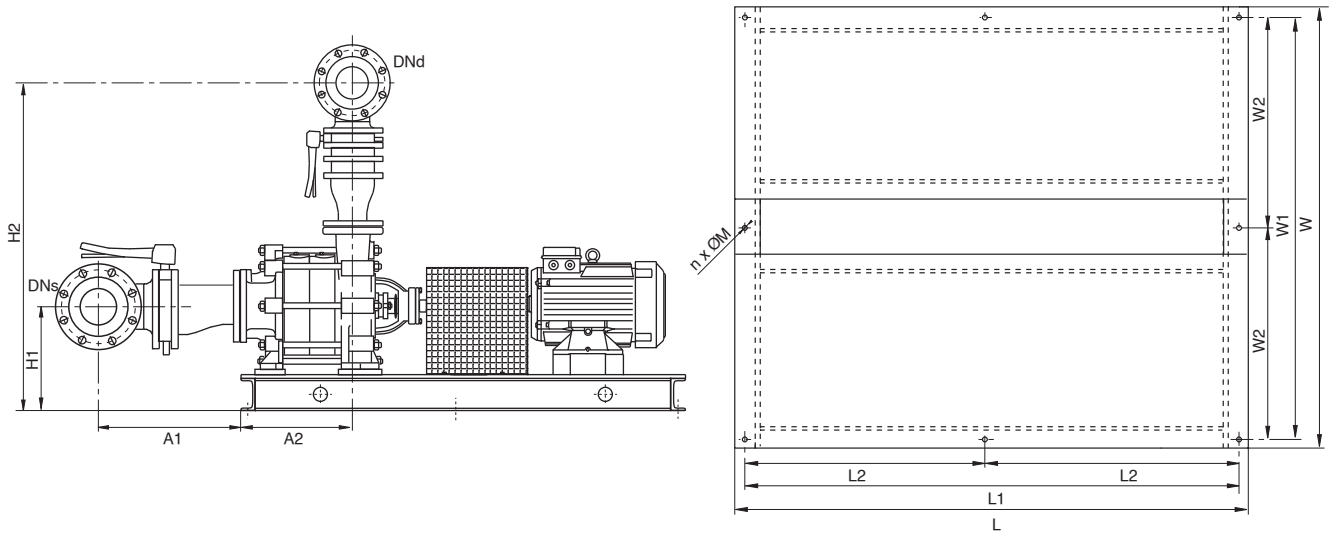
Pump type	Motor	DNs [mm]	DNd [mm]	L [mm]	W [mm]	H1 [mm]	H2 [mm]	A1 [mm]	A2 [mm]	L1 [mm]	L2 [mm]	n x M [nxØmm]	W1 [mm]	W2 [mm]	Weight [kg]
2-MGH4-E 50/9 - 4	112M4B	100	80	1300	1500	288	803	410	646	1250	625	6x16	1450	725	765
2-MGH4-E 50/9 - 5,5	132S4C	100	80	1350	1500	288	803	410	646	1300	650	6x16	1450	725	786
2-MGH4-E 50/9 - 7,5	132M4B	100	80	1400	1500	308	823	410	646	1350	675	6x16	1450	725	848
2-MGH4-E 50/9 - 11	160M4B	100	80	1500	1500	308	823	410	646	1450	725	8x16	1450	725	901
2-MGH-E 50/9 - 30	200L2A	100	80	1600	1500	350	865	410	646	1550	775	8x16	1450	725	1092
2-MGH-E 50/9 - 37	200L2B	100	80	1600	1500	350	865	410	646	1550	775	8x16	1450	725	1130
2-MGH-E 50/9 - 45	225M2A	100	80	1650	1500	375	890	410	646	1600	800	8x18	1450	725	1228
2-MGH-E 50/9 - 55	250M2A	100	80	1700	1500	400	915	410	646	1650	825	8x18	1450	725	1307
2-MGH-E 50/9 - 75	280S2	100	80	1850	1500	452	967	410	646	1790	895	8x18	1440	720	2014
2-MGH4-E 50/10 - 4	112M4B	100	80	1350	1500	308	823	410	708	1300	650	6x16	1450	725	810
2-MGH4-E 50/10 - 5,5	132S4C	100	80	1400	1500	308	823	410	708	1350	675	6x16	1450	725	832
2-MGH4-E 50/10 - 7,5	132M4B	100	80	1450	1500	308	823	410	708	1400	700	8x16	1450	725	880
2-MGH4-E 50/10 - 11	160M4B	100	80	1550	1500	308	823	410	708	1500	750	8x16	1450	725	933
2-MGH4-E 50/11 - 5,5	132S4C	100	80	1500	1500	308	823	410	770	1450	725	6x16	1450	725	869
2-MGH4-E 50/11 - 7,5	132M4B	100	80	1500	1500	308	823	410	770	1450	725	8x16	1450	725	911
2-MGH4-E 50/11 - 11	160M4B	100	80	1600	1500	308	823	410	770	1550	775	8x16	1450	725	965
2-MGH4-E 50/12 - 5,5	132S4C	100	80	1550	1500	308	823	410	832	1500	750	8x16	1450	725	901
2-MGH4-E 50/12 - 7,5	132M4B	100	80	1600	1500	308	823	410	832	1550	775	8x16	1450	725	949
2-MGH4-E 50/12 - 11	160M4B	100	80	1700	1500	308	823	410	832	1650	825	8x16	1450	725	1003
2-MGH4-E 50/12 - 15	160L4A	100	80	1700	1500	308	823	410	832	1650	825	8x16	1450	725	1031
2-MGH4-E 65/2 - 2,2	100L4A	125	100	900	1500	308	846	490	247	850	425	6x16	1450	725	611
2-MGH4-E 65/2 - 3	100L4B	125	100	900	1500	308	846	490	247	850	425	6x16	1450	725	617
2-MGH4-E 65/2 - 4	112M4B	125	100	900	1500	308	846	490	247	850	425	6x16	1450	725	631
2-MGH-E 65/2 - 18,5	160L2A	125	100	1100	1500	308	846	490	247	1050	525	6x16	1450	725	773
2-MGH-E 65/2 - 22	180M2A	125	100	1150	1500	308	846	490	247	1100	550	6x16	1450	725	825
2-MGH-E 65/2 - 30	200L2A	125	100	1200	1500	348	886	490	247	1150	575	6x16	1450	725	918
2-MGH-E 65/2 - 37	200L2B	125	100	1200	1500	348	886	490	247	1150	575	8x16	1450	725	956
2-MGH4-E 65/3 - 4	112M4B	125	100	1000	1500	308	846	490	318	950	475	6x16	1450	725	682
2-MGH4-E 65/3 - 5,5	132S4C	125	100	1050	1500	308	846	490	318	1000	500	6x16	1450	725	704
2-MGH4-E 65/3 - 7,5	132M4B	125	100	1100	1500	308	846	490	318	1050	525	6x16	1450	725	751
2-MGH-E 65/3 - 30	200L2A	125	100	1250	1500	348	886	490	318	1200	600	8x16	1450	725	965
2-MGH-E 65/3 - 37	200L2B	125	100	1250	1500	348	886	490	318	1200	600	8x16	1450	725	1003
2-MGH-E 65/3 - 45	225M2A	125	100	1350	1500	375	913	490	318	1300	650	8x16	1450	725	1125
2-MGH-E 65/3 - 55	250M2A	125	100	1400	1500	400	938	490	318	1350	675	8x16	1450	725	1201
2-MGH4-E 65/4 - 5,5	132S4C	125	100	1100	1500	308	846	490	389	1050	525	6x16	1450	725	749
2-MGH4-E 65/4 - 7,5	132M4B	125	100	1150	1500	308	846	490	389	1100	550	6x16	1450	725	797
2-MGH4-E 65/4 - 11	160M4B	125	100	1250	1500	308	846	490	389	1200	600	6x16	1450	725	840
2-MGH-E 65/4 - 37	200L2B	125	100	1350	1500	348	886	490	389	1300	650	8x16	1450	725	1055
2-MGH-E 65/4 - 45	225M2A	125	100	1400	1500	375	913	490	389	1350	675	8x16	1450	725	1172
2-MGH-E 65/4 - 55	250M2A	125	100	1450	1500	400	938	490	389	1400	700	8x18	1450	725	1249
2-MGH-E 65/4 - 75	280S2	125	100	1650	1500	452	990	490	389	1590	795	8x18	1440	720	1956
2-MGH4-E 65/5 - 5,5	132S4C	125	100	1200	1500	308	846	490	460	1150	575	6x16	1450	725	800
2-MGH4-E 65/5 - 7,5	132M4B	125	100	1200	1500	328	866	490	460	1150	575	6x16	1450	725	855
2-MGH4-E 65/5 - 11	160M4B	125	100	1350	1500	328	866	490	460	1300	650	6x16	1450	725	905
2-MGH-E 65/5 - 45	225M2A	125	100	1500	1500	375	913	490	460	1450	725	8x18	1450	725	1228
2-MGH-E 65/5 - 55	250M2A	125	100	1550	1500	400	938	490	460	1500	750	8x18	1450	725	1305
2-MGH-E 65/5 - 75	280S2	125	100	1700	1500	452	990	490	460	1640	820	8x18	1440	720	2006
2-MGH-E 65/5 - 90	280M2	125	100	1750	1500	452	990	490	460	1690	845	8x18	1440	720	2116

Dimensions



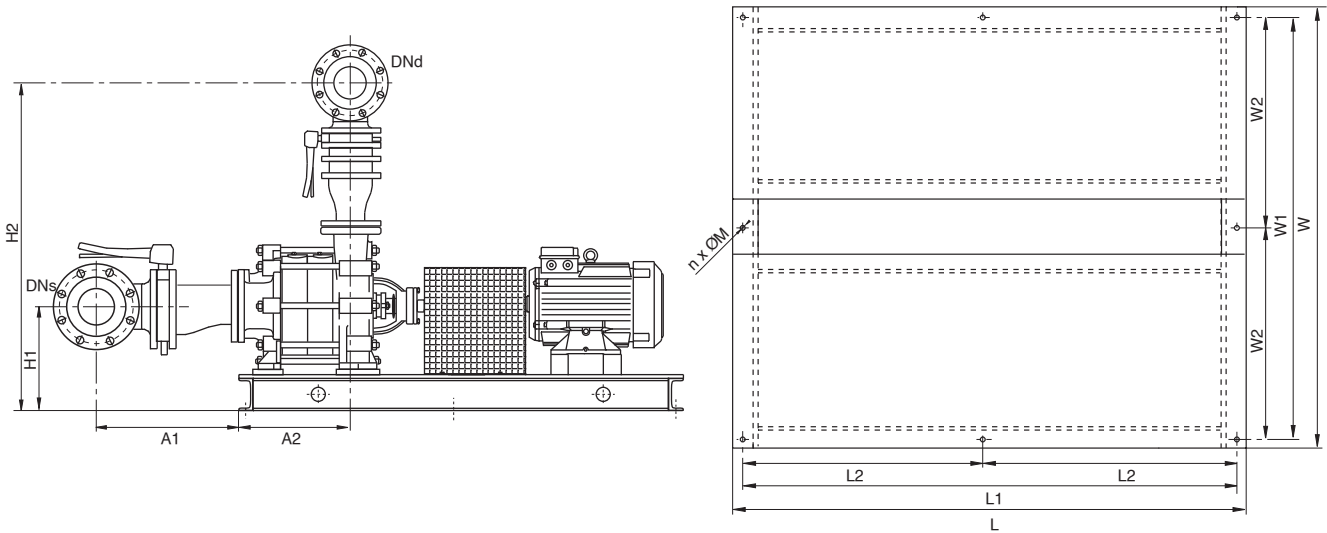
Pump type	Motor	DNs [mm]	DNd [mm]	L [mm]	W [mm]	H1 [mm]	H2 [mm]	A1 [mm]	A2 [mm]	L1 [mm]	L2 [mm]	n x M [nxØmm]	W1 [mm]	W2 [mm]	Weight [kg]
2-MGH-4x 65/6 - 7,5	132M4B	125	100	1300	1500	328	866	490	531	1250	625	6x16	1450	725	907
2-MGH4-E 65/6 - 11	160M4B	125	100	1400	1500	328	866	490	531	1350	675	8x16	1450	725	951
2-MGH4-E 65/6 - 15	160L4A	125	100	1400	1500	328	866	490	531	1350	675	8x16	1450	725	979
2-MGH-E 65/6 - 55	250M2A	125	100	1600	1500	400	938	490	531	1550	775	8x18	1450	725	1353
2-MGH-E 65/6 - 75	280S2	125	100	1750	1500	452	990	490	531	1690	845	8x18	1440	720	2056
2-MGH-E 65/6 - 90	280M2	125	100	1850	1500	472	1010	490	531	1790	895	8x18	1440	720	2199
2-MGH-E 65/6 - 110	315S2	125	100	1900	2000	507	1045	490	531	1840	920	8x18	1940	970	2622
2-MGH4-E 65/7 - 7,5	132M4B	125	100	1350	1500	328	866	490	602	1300	650	8x16	1450	725	953
2-MGH4-E 65/7 - 11	160M4B	125	100	1450	1500	328	866	490	602	1400	700	8x16	1450	725	997
2-MGH4-E 65/7 - 15	160L4A	125	100	1450	1500	328	866	490	602	1400	700	8x16	1450	725	1025
2-MGH4-E 65/8 - 11	160M4B	125	100	1550	1500	328	866	490	673	1500	750	8x16	1450	725	1049
2-MGH4-E 65/8 - 15	160L4A	125	100	1550	1500	328	866	490	673	1500	750	8x16	1450	725	1077
2-MGH4-E 65/8 - 18,5	180M4B	125	100	1600	1500	330	868	490	673	1550	775	8x16	1450	725	1163
2-MGH4-E 65/9 - 11	160M4B	125	100	1600	1500	328	866	490	744	1550	775	8x16	1450	725	1095
2-MGH4-E 65/9 - 15	160L4A	125	100	1600	1500	330	868	490	744	1550	775	8x16	1450	725	1145
2-MGH4-E 65/9 - 18,5	180M4B	125	100	1650	1500	330	868	490	744	1600	800	8x16	1450	725	1210
2-MGH4-E 65/10 - 11	160M4B	125	100	1700	1500	330	868	490	815	1650	825	8x16	1450	725	1171
2-MGH4-E 65/10 - 15	160L4A	125	100	1700	1500	330	868	490	815	1650	825	8x16	1450	725	1199
2-MGH4-E 65/10 - 18,5	180M4B	125	100	1750	1500	330	868	490	815	1700	850	8x18	1450	725	1264
2-MGH4-E 65/10 - 22	180L4B	125	100	1750	1500	330	868	490	815	1700	850	8x18	1450	725	1280
2-MGH4-E 65/11 - 15	160L4A	125	100	1750	1500	330	868	490	886	1700	850	8x18	1450	725	1246
2-MGH4-E 65/11 - 18,5	180M4B	125	100	1800	1500	330	868	490	886	1750	875	8x18	1450	725	1310
2-MGH4-E 65/11 - 22	180L4B	125	100	1800	1500	330	868	490	886	1750	875	8x18	1450	725	1326
2-MGH4-E 80/2 - 4	112M4B	200	150	1100	1500	338	916	522	280	1050	525	8x16	1450	725	573
2-MGH4-E 80/2 - 5,5	132S4C	200	150	1150	1500	338	916	522	280	1100	550	8x16	1450	725	595
2-MGH4-E 80/2 - 7,5	132M4B	200	150	1200	1500	338	916	522	280	1150	575	8x16	1450	725	643
2-MGH4-E 80/2 - 11	160M4B	200	150	1300	1500	358	936	522	280	1250	625	8x16	1450	725	700
2-MGH-E 80/2 - 30	200L2A	200	150	1400	1500	358	936	522	280	1350	675	8x16	1450	725	857
2-MGH-E 80/2 - 37	200L2B	200	150	1400	1500	358	936	522	280	1350	675	8x16	1450	725	895
2-MGH-E 80/2 - 45	225M2A	200	150	1450	1500	375	953	522	280	1400	700	8x16	1450	725	1003
2-MGH-E 80/2 - 55	250M2A	200	150	1500	1500	400	978	522	280	1450	725	8x18	1450	725	1079
2-MGH-E 80/2 - 75	280S2	200	150	1700	1500	452	1030	522	280	1640	820	8x18	1440	720	1784
2-MGH4-E 80/3 - 5,5	132S4C	200	150	1250	1500	338	916	522	363	1200	600	8x16	1450	725	659
2-MGH4-E 80/3 - 7,5	132M4B	200	150	1300	1500	358	936	522	363	1250	625	8x16	1450	725	720
2-MGH4-E 80/3 - 11	160M4B	200	150	1400	1500	358	936	522	363	1350	675	8x16	1450	725	765
2-MGH4-E 80/3 - 15	160L4A	200	150	1400	1500	358	936	522	363	1350	675	8x16	1450	725	793
2-MGH-E 80/3 - 45	225M2A	200	150	1550	1500	375	953	522	363	1500	750	8x18	1450	725	1070
2-MGH-E 80/3 - 55	250M2A	200	150	1600	1500	400	978	522	363	1550	775	8x18	1450	725	1147
2-MGH-E 80/3 - 75	280S2	200	150	1750	1500	452	1030	522	363	1690	845	8x18	1440	720	1846
2-MGH-E 80/3 - 90	280M2	200	150	1800	1500	452	1030	522	363	1740	870	8x18	1440	720	1956
2-MGH4-E 80/4 - 7,5	132M4B	200	150	1350	1500	358	936	522	446	1300	650	8x16	1450	725	778
2-MGH4-E 80/4 - 11	160M4B	200	150	1450	1500	358	936	522	446	1400	700	8x16	1450	725	824
2-MGH4-E 80/4 - 15	160L4A	200	150	1450	1500	358	936	522	446	1400	700	8x16	1450	725	852
2-MGH4-E 80/4 - 18,5	180M4B	200	150	1500	1500	360	938	522	446	1450	725	8x16	1450	725	940
2-MGH-E 80/4 - 75	280S2	200	150	1850	1500	452	1030	522	446	1790	895	8x18	1440	720	1918
2-MGH-E 80/4 - 90	280M2	200	150	1900	1500	472	1050	522	446	1840	920	8x18	1440	720	2051
2-MGH-E 80/4 - 110	315S2	200	150	1950	2000	507	1085	522	446	1890	945	8x18	1940	970	2473
2-MGH-E 80/4 - 132	315M2A	200	150	2000	2000	507	1085	522	446	1940	970	8x18	1940	970	2700

Dimensions



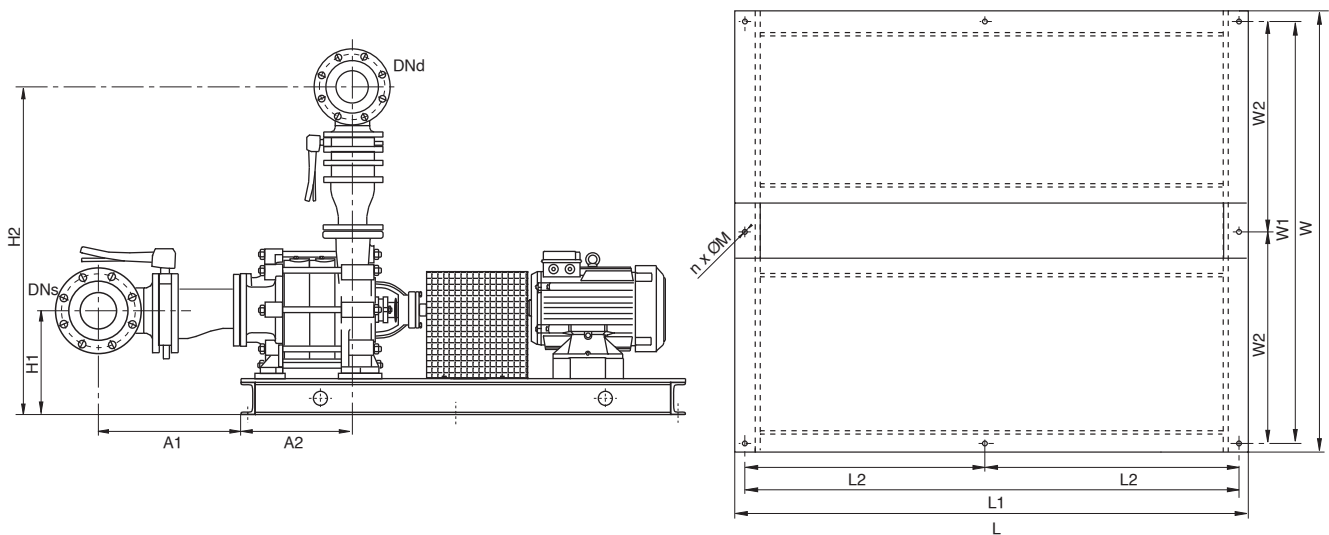
Pump type	Motor	DNs [mm]	DNd [mm]	L [mm]	W [mm]	H1 [mm]	H2 [mm]	A1 [mm]	A2 [mm]	L1 [mm]	L2 [mm]	n x M [nxØmm]	W1 [mm]	W2 [mm]	Weight [kg]
2-MGH4-E 80/5 - 11	160M4B	200	150	1550	1500	358	936	522	529	1500	750	8x16	1450	725	889
2-MGH4-E 80/5 - 15	160L4A	200	150	1550	1500	358	936	522	529	1500	750	8x16	1450	725	917
2-MGH4-E 80/5 - 18,5	180M4B	200	150	1600	1500	360	938	522	529	1550	775	8x16	1450	725	1008
2-MGH4-E 80/5 - 22	180L4B	200	150	1600	1500	360	938	522	529	1550	775	8x16	1450	725	1024
2-MGH-E 80/5 - 75	280S2	200	150	1950	1500	452	1030	522	529	1890	945	8x18	1440	720	1990
2-MGH-E 80/5 - 90	280M2	200	150	2000	1500	472	1050	522	529	1940	970	8x18	1440	720	2124
2-MGH-E 80/5 - 110	315S2	200	150	2050	2000	507	1085	522	529	1990	995	8x18	1940	970	2547
2-MGH-E 80/5 - 132	315M2A	200	150	2100	2000	507	1085	522	529	2040	1020	8x18	1940	970	2774
2-MGH-E 80/5 - 160	315M2B	200	150	2100	2000	527	1105	522	529	2040	1020	8x20	1940	970	3069
2-MGH4-E 80/6 - 11	160M4B	200	150	1650	1500	360	938	522	612	1600	800	8x16	1450	725	981
2-MGH4-E 80/6 - 15	160L4A	200	150	1650	1500	360	938	522	612	1600	800	8x16	1450	725	1009
2-MGH4-E 80/6 - 18,5	180M4B	200	150	1700	1500	360	938	522	612	1650	825	8x18	1450	725	1075
2-MGH4-E 80/6 - 22	180L4B	200	150	1700	1500	360	938	522	612	1650	825	8x18	1450	725	1091
2-MGH4-E 80/6 - 30	200L4C	200	150	1700	1500	380	958	522	612	1640	820	8x18	1440	720	1206
2-MGH-E 80/6 - 90	280M2	200	150	2050	1500	472	1050	522	612	1990	995	8x18	1440	720	2186
2-MGH-E 80/6 - 110	315S2	200	150	2150	2000	507	1085	522	612	2090	1045	8x18	1940	970	2621
2-MGH-E 80/6 - 132	315M2A	200	150	2200	2000	507	1085	522	612	2140	1070	8x18	1940	970	2848
2-MGH-E 80/6 - 160	315M2B	200	150	2200	2000	527	1105	522	612	2140	1070	8x20	1940	970	3145
2-MGH-E 80/6 - 185	315L2A	200	150	2250	2000	527	1105	522	612	2190	1095	8x20	1940	970	3357
2-MGH4-E 80/7 - 15	160L4A	200	150	1700	1500	360	938	522	695	1650	825	8x18	1450	725	1069
2-MGH4-E 80/7 - 18,5	180M4B	200	150	1750	1500	360	938	522	695	1700	850	8x18	1450	725	1134
2-MGH4-E 80/7 - 22	180L4B	200	150	1750	1500	360	938	522	695	1700	850	8x18	1450	725	1150
2-MGH4-E 80/7 - 30	200L4C	200	150	1800	1500	380	958	522	695	1740	870	8x18	1440	720	1275
2-MGH4-E 80/8 - 15	160L4A	200	150	1800	1500	360	938	522	778	1750	875	8x18	1450	725	1136
2-MGH4-E 80/8 - 18,5	180M4B	200	150	1850	1500	380	958	522	778	1790	895	8x18	1440	720	1221
2-MGH4-E 80/8 - 22	180L4B	200	150	1850	1500	380	958	522	778	1790	895	8x18	1440	720	1237
2-MGH4-E 80/8 - 30	200L4C	200	150	1900	1500	380	958	522	778	1840	920	8x18	1440	720	1343
2-MGH4-E 80/8 - 37	225S4A	200	150	2000	1500	395	973	522	778	1940	970	8x18	1440	720	1453
2-MGH4-E 80/8 - 45	225M4C	200	150	2000	1500	395	973	522	778	1940	970	8x18	1440	720	1527
2-MGH4-E 80/9 - 18,5	180M4B	200	150	1850	1500	395	973	522	861	1790	895	8x18	1440	720	1491
2-MGH4-E 80/9 - 22	180L4B	200	150	1850	1500	395	973	522	861	1790	895	8x18	1440	720	1507
2-MGH4-E 80/9 - 30	200L4C	200	150	1850	1500	395	973	522	861	1790	895	8x18	1440	720	1605
2-MGH4-E 80/9 - 37	225S4A	200	150	1950	1500	395	973	522	861	1890	945	8x18	1440	720	1715
2-MGH4-E 80/9 - 45	225M4C	200	150	1950	1500	395	973	522	861	1890	945	8x18	1440	720	1789
2-MGH4-E 80/10 - 18,5	180M4B	200	150	1900	1500	395	973	522	944	1840	920	8x18	1440	720	1551
2-MGH4-E 80/10 - 22	180L4B	200	150	1900	1500	395	973	522	944	1840	920	8x18	1440	720	1567
2-MGH4-E 80/10 - 30	200L4C	200	150	1950	1500	395	973	522	944	1890	945	8x18	1440	720	1673
2-MGH4-E 80/10 - 37	225S4A	200	150	2050	1500	395	973	522	944	1990	995	8x18	1440	720	1783
2-MGH4-E 80/10 - 45	225M4C	200	150	2050	1500	395	973	522	944	1990	995	8x18	1440	720	1857
2-MGH4-E 100/2 - 15	160L4A	200	200	1450	1500	400	1137	522	347	1400	700	8x16	1450	725	934
2-MGH4-E 100/2 - 18,5	180M4B	200	200	1500	1500	400	1137	522	347	1450	725	8x16	1450	725	999
2-MGH4-E 100/2 - 22	180L4B	200	200	1500	1500	400	1137	522	347	1450	725	8x16	1450	725	1015
2-MGH4-E 100/2 - 30	200L4C	200	200	1500	1500	400	1137	522	347	1450	725	8x18	1450	725	1113
2-MGH4-E 100/3 - 22	180L4B	200	200	1600	1500	400	1137	522	447	1550	775	8x18	1450	725	1115
2-MGH4-E 100/3 - 30	200L4C	200	200	1600	1500	420	1157	522	447	1540	770	8x18	1440	720	1230
2-MGH4-E 100/3 - 37	225S4A	200	200	1700	1500	420	1157	522	447	1640	820	8x18	1440	720	1341
2-MGH4-E 100/4 - 30	200L4C	200	200	1700	1500	420	1157	522	547	1640	820	8x18	1440	720	1331
2-MGH4-E 100/4 - 37	225S4A	200	200	1800	1500	420	1157	522	547	1740	870	8x18	1440	720	1442
2-MGH4-E 100/4 - 45	225M4C	200	200	1800	1500	420	1157	522	547	1740	870	8x18	1440	720	1516
2-MGH4-E 100/4 - 55	250M4C	200	200	1850	1500	420	1157	522	547	1790	895	8x18	1440	720	1564

Dimensions



Pump type	Motor	DNs [mm]	DNd [mm]	L [mm]	W [mm]	H1 [mm]	H2 [mm]	A1 [mm]	A2 [mm]	L1 [mm]	L2 [mm]	n x M [nxØmm]	W1 [mm]	W2 [mm]	Weight [kg]
2-MGH4-E 100/5 - 37	225S4A	200	200	1900	1500	420	1157	522	647	1840	920	8x18	1440	720	1543
2-MGH4-E 100/5 - 45	225M4C	200	200	1900	1500	420	1157	522	647	1840	920	8x18	1440	720	1617
2-MGH4-E 100/5 - 55	250M4C	200	200	1950	1500	422	1159	522	647	1890	945	8x18	1440	720	1700
2-MGH4-E 100/5 - 75	280S4	200	200	2100	1500	472	1209	522	647	2040	1020	8x18	1440	720	2273
2-MGH4-E 100/6 - 45	225M4C	200	200	2000	1500	422	1159	522	747	1940	970	8x18	1440	720	1754
2-MGH4-E 100/6 - 55	250M4C	200	200	2050	1500	422	1159	522	747	1990	995	8x18	1440	720	1803
2-MGH4-E 100/6 - 75	280S4	200	200	2200	1500	472	1209	522	747	2140	1070	8x18	1440	720	2378
2-MGH4-E 100/7 - 45	225M4C	200	200	2100	1500	422	1159	522	847	2040	1020	8x18	1440	720	1856
2-MGH4-E 100/7 - 55	250M4C	200	200	2150	1500	422	1159	522	847	2090	1045	8x18	1440	720	1906
2-MGH4-E 100/7 - 75	280S4	200	200	2300	1500	472	1209	522	847	2240	1120	8x18	1440	720	2483
2-MGH4-E 100/7 - 90	280M4	200	200	2350	1500	472	1209	522	847	2290	1145	8x18	1440	720	2654
2-MGH4-E 100/8 - 55	250M4C	200	200	2250	1500	422	1159	522	947	2190	1095	8x18	1440	720	2009
2-MGH4-E 100/8 - 75	280S4	200	200	2400	1500	472	1209	522	947	2340	1170	8x18	1440	720	2588
2-MGH4-E 100/8 - 90	280M4	200	200	2450	1500	472	1209	522	947	2390	1195	8x18	1440	720	2759
2-MGH4-E 100/8 - 110	315S4	200	200	2550	2000	527	1264	522	947	2490	1245	8x20	1940	970	3178
2-MGH4-E 100/9 - 75	280S4	200	200	2500	1500	472	1209	522	1047	2440	1220	8x18	1440	720	2693
2-MGH4-E 100/9 - 90	280M4	200	200	2550	1500	472	1209	522	1047	2490	1245	8x18	1440	720	2864
2-MGH4-E 100/9 - 110	315S4	200	200	2650	2000	527	1264	522	1047	2590	1295	8x20	1940	970	3286
2-MGH4-E 100/10 - 75	280S4	200	200	2600	1500	472	1209	522	1147	2540	1270	8x18	1440	720	2798
2-MGH4-E 100/10 - 90	280M4	200	200	2650	1500	472	1209	522	1147	2590	1295	8x18	1440	720	2969
2-MGH4-E 100/10 - 110	315S4	200	200	2750	2000	527	1264	522	1147	2690	1345	8x20	1940	970	3395
2-MGH4-E 100/10 - 132	315M4A	200	200	2800	2000	527	1264	522	1147	2740	1370	8x20	1940	970	3647
2-MGH4-E 125/2 - 37	225S4A	250	200	1650	1500	472	1244	546	364	1590	795	8x18	1440	720	1690
2-MGH4-E 125/2 - 45	225M4C	250	200	1650	1500	472	1244	546	364	1590	795	8x18	1440	720	1764
2-MGH4-E 125/2 - 55	250M4C	250	200	1650	1500	472	1244	546	364	1590	795	8x18	1440	720	1804
2-MGH4-E 125/3 - 55	250M4C	250	200	1800	1500	492	1264	546	479	1740	870	8x18	1440	720	2008
2-MGH4-E 125/3 - 75	280S4	250	200	1950	1500	492	1264	546	479	1890	945	8x18	1440	720	2542
2-MGH4-E 125/4 - 75	280S4	250	200	2050	1500	492	1264	546	594	1990	995	8x18	1440	720	2715
2-MGH4-E 125/4 - 90	280M4	250	200	2100	1500	492	1264	546	594	2040	1020	8x18	1440	720	2887
2-MGH4-E 125/4 - 110	315S4	250	200	2200	2000	527	1299	546	594	2140	1070	8x20	1940	970	3257
2-MGH4-E 125/5 - 90	280M4	250	200	2250	1500	512	1284	546	709	2190	1095	8x20	1440	720	3099
2-MGH4-E 125/5 - 110	315S4	250	200	2350	2000	527	1299	546	709	2290	1145	8x20	1940	970	3444
2-MGH4-E 125/5 - 132	315M4A	250	200	2400	2000	527	1299	546	709	2340	1170	8x20	1940	970	3696
2-MGH4-E 125/6 - 110	315S4	250	200	2450	2000	527	1299	546	824	2390	1195	8x20	1940	970	3618
2-MGH4-E 125/6 - 132	315M4A	250	200	2500	2000	527	1299	546	824	2440	1220	8x20	1940	970	3870
2-MGH4-E 125/6 - 160	315M4B	250	200	2500	2000	527	1299	546	824	2440	1220	8x20	1940	970	4120
2-MGH4-E 125/7 - 132	315M4A	250	200	2600	2000	527	1299	546	939	2540	1270	8x20	1940	970	4044
2-MGH4-E 125/7 - 160	315M4B	250	200	2600	2000	527	1299	546	939	2540	1270	8x20	1940	970	4294
2-MGH4-E 125/7 - 185	315LA	250	200	2700	2000	527	1299	546	939	2640	1320	8x20	1940	970	4519
2-MGH4-E 125/8 - 160	315M4B	250	200	2750	2000	527	1299	546	1054	2690	1345	8x20	1940	970	4481
2-MGH4-E 125/8 - 185	315LA	250	200	2800	2000	527	1299	546	1054	2740	1370	8x20	1940	970	4693
2-MGH4-E 125/8 - 200	315LAB	250	200	2800	2000	527	1299	546	1054	2740	1370	8x20	1940	970	4793
2-MGH4-E 150/2 - 75	280S4	300	250	2000	1500	562	1334	559	437	1940	970	8x18	1440	720	3057
2-MGH4-E 150/2 - 90	280M4	300	250	2050	1500	562	1334	559	437	1990	995	8x20	1440	720	3230
2-MGH4-E 150/2 - 110	315S4	300	250	2150	2000	562	1334	559	437	2090	1045	8x20	1940	970	3576
2-MGH4-E 150/2 - 132	315M4A	300	250	2200	2000	562	1334	559	437	2140	1070	8x20	1940	970	3829

Dimensions

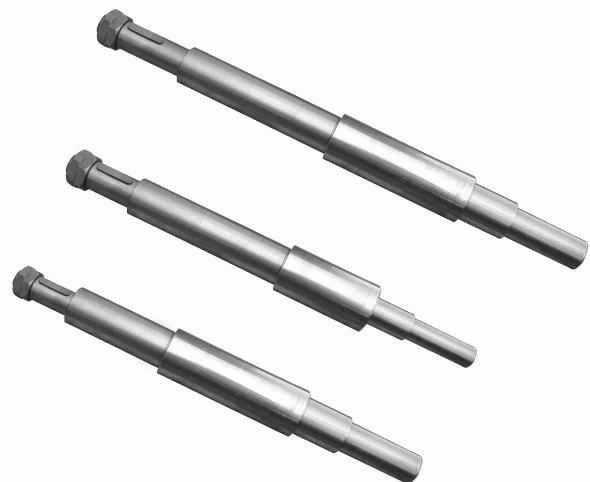


Pump type	Motor	DNs [mm]	DNd [mm]	L [mm]	W [mm]	H1 [mm]	H2 [mm]	A1 [mm]	A2 [mm]	L1 [mm]	L2 [mm]	n x M [nxØmm]	W1 [mm]	W2 [mm]	Weight [kg]
2-MGH4-E 150/3 - 90	280M4	300	250	2200	1500	562	1334	559	582	2140	1070	8x20	1440	720	3509
2-MGH4-E 150/3 - 110	315S4	300	250	2300	2000	562	1334	559	582	2240	1120	8x20	1940	970	3855
2-MGH4-E 150/3 - 132	315M4A	300	250	2350	2000	562	1334	559	582	2290	1145	8x20	1940	970	4108
2-MGH4-E 150/3 - 160	315M4B	300	250	2350	2000	562	1334	559	582	2290	1145	8x20	1940	970	4358
2-MGH4-E 150/3 - 185	315L4A	300	250	2400	2000	562	1334	559	582	2340	1170	8x20	1940	970	4571
2-MGH4-E 150/4 - 132	315M4A	300	250	2450	2000	562	1334	559	727	2390	1195	8x20	1940	970	4374
2-MGH4-E 150/4 - 160	315M4B	300	250	2450	2000	562	1334	559	727	2390	1195	8x20	1940	970	4624
2-MGH4-E 150/4 - 185	315L4A	300	250	2550	2000	562	1334	559	727	2490	1245	8x20	1940	970	4850
2-MGH4-E 150/4 - 200	315L4B	300	250	2550	2000	562	1334	559	727	2490	1245	8x20	1940	970	4950
2-MGH4-E 150/4 - 250	355M4A	300	250	2700	2000	567	1339	559	727	2640	1320	8x20	1940	970	5559
2-MGH4-E 150/5 - 160	315M4B	300	250	2600	2000	562	1334	559	872	2540	1270	8x20	1940	970	4903
2-MGH4-E 150/5 - 185	315L4A	300	250	2700	2000	562	1334	559	872	2640	1320	8x20	1940	970	5129
2-MGH4-E 150/5 - 200	315L4B	300	250	2700	2000	562	1334	559	872	2640	1320	8x20	1940	970	5229
2-MGH4-E 150/5 - 250	355M4A	300	250	2850	2000	567	1339	559	872	2790	1395	8x20	1940	970	5839
2-MGH4-E 150/5 - 315	355M4B	300	250	2850	2000	567	1339	559	872	2790	1395	8x20	1940	970	6253

OPTIONAL FEATURES FOR MGH SERIES PUMPS

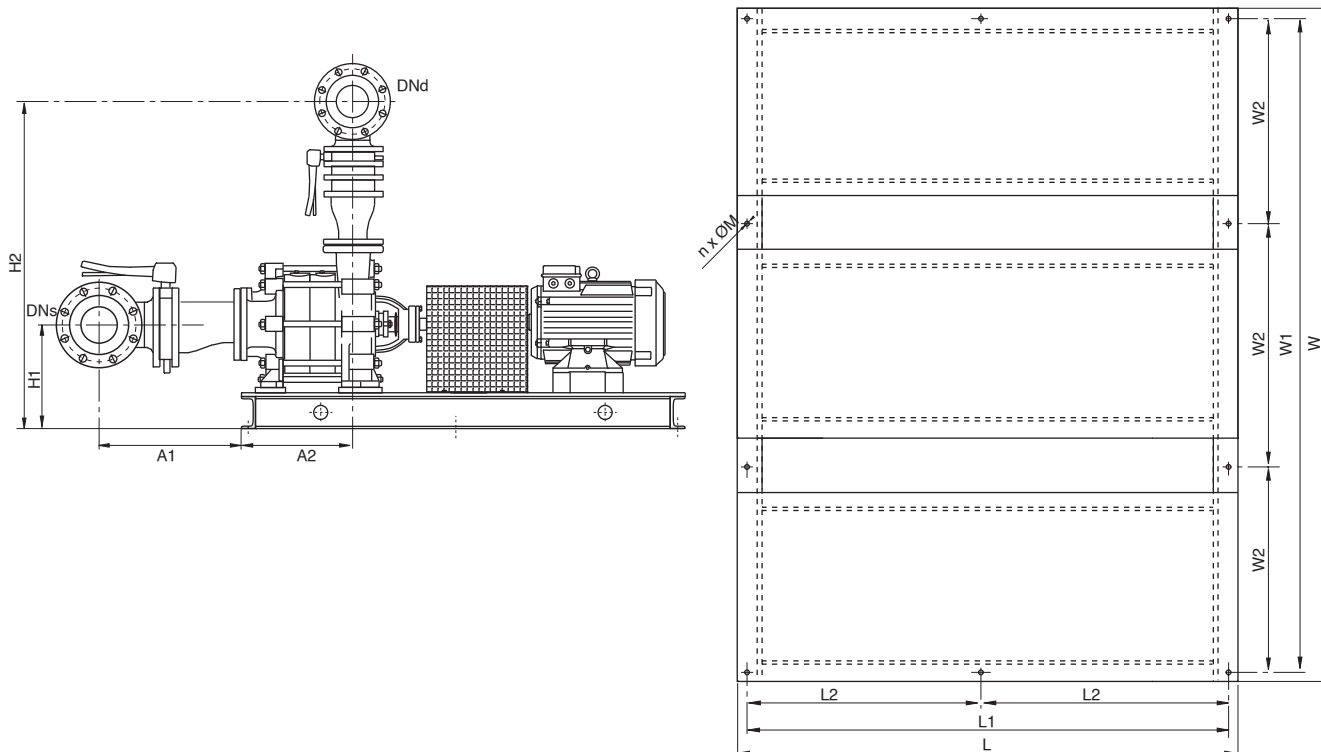


Bronze or stainless steel impeller and/or other hydraulic parts such as pump body is available as option.



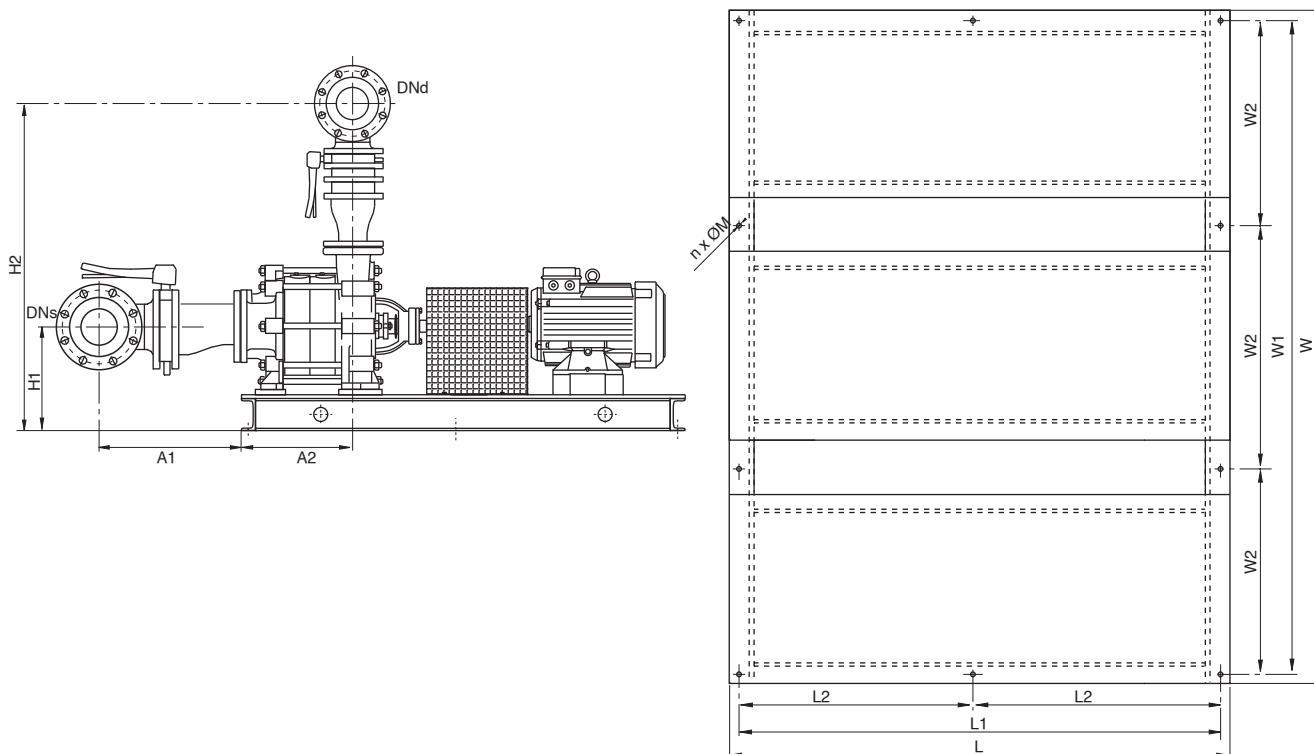
Pump shafts are made of AISI 420 stainless steel under standard scope of manufacture. AISI 304 or AISI 316 is optional.

Dimensions



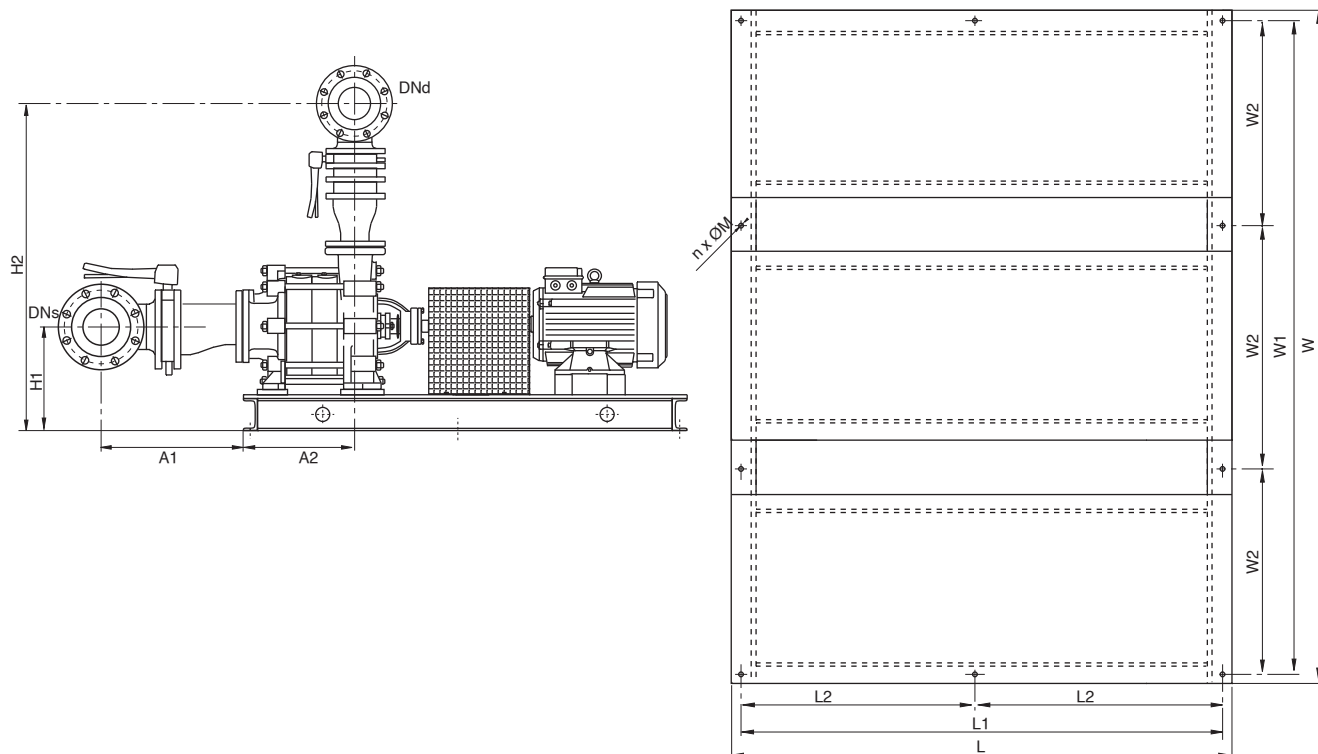
Pump type	Motor	DNs [mm]	DNd [mm]	L [mm]	W [mm]	H1 [mm]	H2 [mm]	A1 [mm]	A2 [mm]	L1 [mm]	L2 [mm]	n x M [n x Ømm]	W1 [mm]	W2 [mm]	Weight [kg]
3-MGH4-E 40/2 - 0,55	80M4A	100	80	700	2380	246	703	373	187	660	330	8x16	2340	1170	515
3-MGH4-E 40/2 - 0,75	80M4B	100	80	700	2380	246	703	373	187	660	330	8x16	2340	1170	518
3-MGH4-E 40/2 - 1,1	90S4A	100	80	750	2380	246	703	373	187	710	355	8x16	2340	1170	529
3-MGH-E 40/2 - 4	112M2A	100	80	800	2380	266	723	373	187	750	375	8x16	2330	1165	591
3-MGH-E 40/2 - 5,5	132S2A	100	80	900	2380	266	723	373	187	850	425	8x16	2330	1165	624
3-MGH-E 40/2 - 7,5	132S2C	100	80	900	2380	266	723	373	187	850	425	8x16	2330	1165	645
3-MGH-E 40/2 - 11	160M2A	100	80	1000	2380	266	723	373	187	950	475	8x16	2330	1165	748
3-MGH4-E 40/3 - 0,75	80M4B	100	80	750	2380	246	703	373	242	710	355	8x16	2340	1170	551
3-MGH4-E 40/3 - 1,1	90S4A	100	80	800	2380	266	723	373	242	750	375	8x16	2330	1165	572
3-MGH4-E 40/3 - 1,5	90L4A	100	80	800	2380	266	723	373	242	750	375	8x16	2330	1165	578
3-MGH4-E 40/3 - 2,2	100L4A	100	80	850	2380	266	723	373	242	800	400	8x16	2330	1165	602
3-MGH-E 40/3 - 5,5	132S2A	100	80	900	2380	266	723	373	242	850	425	8x16	2330	1165	653
3-MGH-E 40/3 - 7,5	132S2C	100	80	900	2380	266	723	373	242	850	425	8x16	2330	1165	674
3-MGH-E 40/3 - 11	160M2A	100	80	1100	2380	288	745	373	242	1050	525	8x16	2330	1165	831
3-MGH-E 40/3 - 15	160M2B	100	80	1100	2380	288	745	373	242	1050	525	8x16	2330	1165	852
3-MGH4-E 40/4 - 1,1	90S4A	100	80	850	2380	266	723	373	297	800	400	8x16	2330	1165	606
3-MGH4-E 40/4 - 1,5	90L4A	100	80	850	2380	266	723	373	297	800	400	8x16	2330	1165	612
3-MGH4-E 40/4 - 2,2	100L4A	100	80	900	2380	266	723	373	297	850	425	8x16	2330	1165	636
3-MGH-E 40/4 - 7,5	132S2C	100	80	1000	2380	266	723	373	297	950	475	8x16	2330	1165	714
3-MGH-E 40/4 - 11	160M2A	100	80	1150	2380	288	745	373	297	1100	550	8x16	2330	1165	868
3-MGH-E 40/4 - 15	160M2B	100	80	1150	2380	288	745	373	297	1100	550	8x16	2330	1165	889
3-MGH-E 40/4 - 18,5	160L2A	100	80	1150	2380	288	745	373	297	1100	550	8x16	2330	1165	934
3-MGH4-E 40/5 - 1,1	90S4A	100	80	900	2380	266	723	373	352	850	425	8x16	2330	1165	640
3-MGH4-E 40/5 - 1,5	90L4A	100	80	900	2380	266	723	373	352	850	425	8x16	2330	1165	646
3-MGH4-E 40/5 - 2,2	100L4A	100	80	950	2380	266	723	373	352	900	450	8x16	2330	1165	670
3-MGH4-E 40/5 - 3	100L4B	100	80	950	2380	266	723	373	352	900	450	8x16	2330	1165	679
3-MGH-E 40/5 - 11	160M2A	100	80	1200	2380	288	745	373	352	1150	575	8x16	2330	1165	905
3-MGH-E 40/5 - 15	160M2B	100	80	1200	2380	288	745	373	352	1150	575	8x16	2330	1165	926
3-MGH-E 40/5 - 18,5	160L2A	100	80	1200	2380	288	745	373	352	1150	575	8x16	2330	1165	971
3-MGH-E 40/5 - 22	180M2A	100	80	1200	2380	308	765	373	352	1150	575	8x16	2330	1165	1040
3-MGH4-E 40/6 - 1,5	90L4A	100	80	950	2380	266	723	373	407	900	450	8x16	2330	1165	680
3-MGH4-E 40/6 - 2,2	100L4A	100	80	1000	2380	266	723	373	407	950	475	8x16	2330	1165	704
3-MGH4-E 40/6 - 3	100L4B	100	80	1000	2380	266	723	373	407	950	475	8x16	2330	1165	713
3-MGH4-E 40/6 - 4	112M4B	100	80	1050	2380	266	723	373	407	1000	500	8x16	2330	1165	740
3-MGH-E 40/6 - 11	160M2A	100	80	1250	2380	288	745	373	407	1200	600	8x16	2330	1165	941
3-MGH-E 40/6 - 15	160M2B	100	80	1250	2380	288	745	373	407	1200	600	8x16	2330	1165	962
3-MGH-E 40/6 - 18,5	160L2A	100	80	1250	2380	288	745	373	407	1200	600	8x16	2330	1165	1007
3-MGH-E 40/6 - 22	180M2A	100	80	1300	2380	308	765	373	407	1250	625	8x16	2330	1165	1085
3-MGH-E 40/6 - 30	200L2A	100	80	1300	2380	348	805	373	407	1250	625	8x16	2330	1165	1219

Dimensions



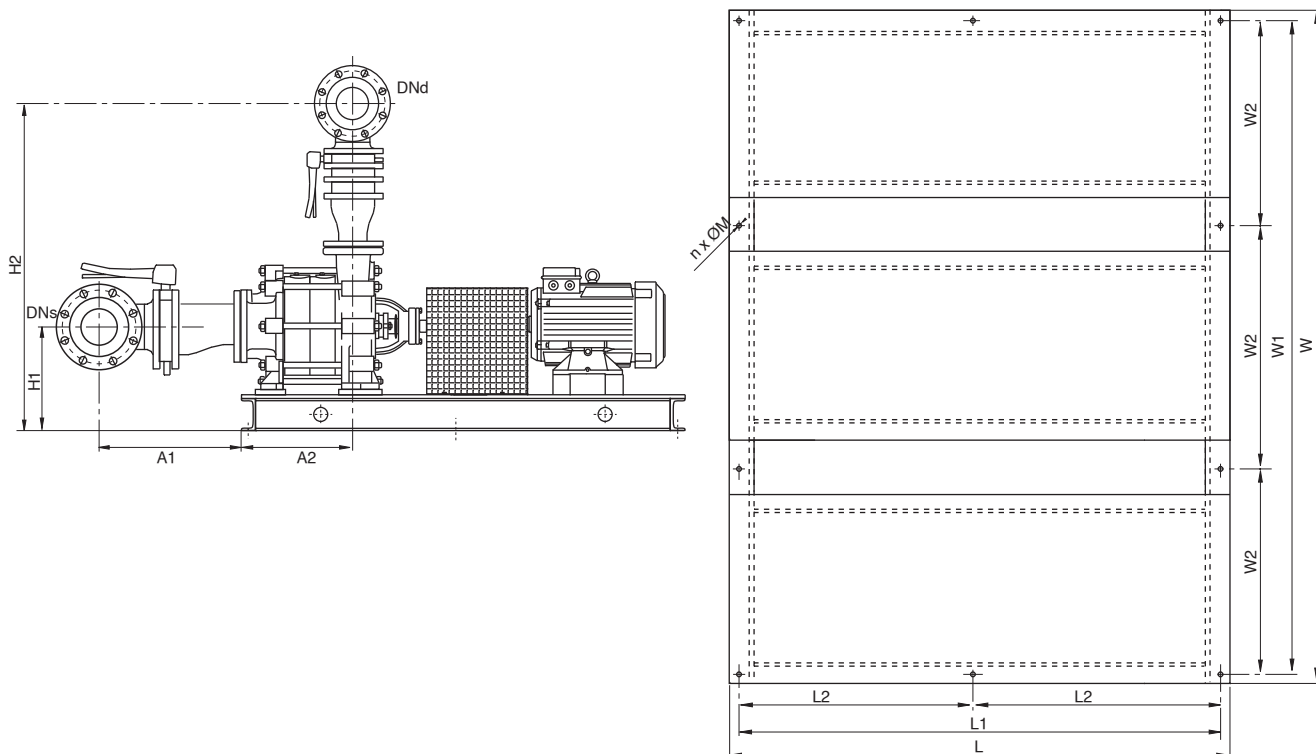
Pump type	Motor	DNs [mm]	DNd [mm]	L [mm]	W [mm]	H1 [mm]	H2 [mm]	A1 [mm]	A2 [mm]	L1 [mm]	L2 [mm]	n x M [n x Ømm]	W1 [mm]	W2 [mm]	Weight [kg]
3-MGH4-E 40/7 - 2,2	100L4A	100	80	1100	2380	266	723	373	462	1050	525	8x16	2330	1165	744
3-MGH4-E 40/7 - 3	100L4B	100	80	1100	2380	266	723	373	462	1050	525	8x16	2330	1165	753
3-MGH4-E 40/7 - 4	112M4B	100	80	1100	2380	288	745	373	462	1050	525	8x16	2330	1165	821
3-MGH-E 40/7 - 15	160M2B	100	80	1300	2380	288	745	373	462	1250	625	8x16	2330	1165	999
3-MGH-E 40/7 - 18,5	160L2A	100	80	1300	2380	288	745	373	462	1250	625	8x16	2330	1165	1044
3-MGH-E 40/7 - 22	180M2A	100	80	1350	2380	308	765	373	462	1300	650	8x16	2330	1165	1121
3-MGH-E 40/7 - 30	200L2A	100	80	1350	2380	348	805	373	462	1300	650	10x16	2330	1165	1257
3-MGH4-E 40/8 - 2,2	100L4A	100	80	1100	2380	288	745	373	517	1050	525	8x16	2330	1165	809
3-MGH4-E 40/8 - 3	100L4B	100	80	1100	2380	288	745	373	517	1050	525	8x16	2330	1165	818
3-MGH4-E 40/8 - 4	112M4B	100	80	1150	2380	288	745	373	517	1100	550	8x16	2330	1165	857
3-MGH4-E 40/8 - 5,5	132S4C	100	80	1200	2380	288	745	373	517	1150	575	8x16	2330	1165	889
3-MGH-E 40/8 - 15	160M2B	100	80	1350	2380	288	745	373	517	1300	650	8x16	2330	1165	1036
3-MGH-E 40/8 - 18,5	160L2A	100	80	1350	2380	288	745	373	517	1300	650	8x16	2330	1165	1081
3-MGH-E 40/8 - 22	180M2A	100	80	1400	2380	308	765	373	517	1350	675	8x16	2330	1165	1158
3-MGH-E 40/8 - 30	200L2A	100	80	1450	2380	348	805	373	517	1400	700	10x16	2330	1165	1305
3-MGH-E 40/8 - 37	200L2B	100	80	1450	2380	348	805	373	517	1400	700	10x16	2330	1165	1362
3-MGH4-E 40/9 - 2,2	100L4A	100	80	1200	2380	288	745	373	572	1150	575	8x16	2330	1165	852
3-MGH4-E 40/9 - 3	100L4B	100	80	1200	2380	288	745	373	572	1150	575	8x16	2330	1165	861
3-MGH4-E 40/9 - 4	112M4B	100	80	1200	2380	288	745	373	572	1150	575	8x16	2330	1165	893
3-MGH4-E 40/9 - 5,5	132S4C	100	80	1250	2380	288	745	373	572	1200	600	8x16	2330	1165	925
3-MGH-E 40/9 - 18,5	160L2A	100	80	1400	2380	288	745	373	572	1350	675	8x16	2330	1165	1118
3-MGH-E 40/9 - 22	180M2A	100	80	1450	2380	328	785	373	572	1400	700	8x16	2330	1165	1218
3-MGH-E 40/9 - 30	200L2A	100	80	1500	2380	348	805	373	572	1450	725	10x16	2330	1165	1343
3-MGH-E 40/9 - 37	200L2B	100	80	1500	2380	348	805	373	572	1450	725	10x16	2330	1165	1400
3-MGH4-E 40/10 - 2,2	100L4A	100	80	1250	2380	288	745	373	627	1200	600	8x16	2330	1165	888
3-MGH4-E 40/10 - 3	100L4B	100	80	1250	2380	288	745	373	627	1200	600	8x16	2330	1165	897
3-MGH4-E 40/10 - 4	112M4B	100	80	1250	2380	288	745	373	627	1200	600	8x16	2330	1165	930
3-MGH4-E 40/10 - 5,5	132S4C	100	80	1300	2380	288	745	373	627	1250	625	8x16	2330	1165	961
3-MGH-E 40/10 - 18,5	160L2A	100	80	1450	2380	288	745	373	627	1400	700	8x16	2330	1165	1155
3-MGH-E 40/10 - 22	180M2A	100	80	1500	2380	328	785	373	627	1450	725	10x16	2330	1165	1255
3-MGH-E 40/10 - 30	200L2A	100	80	1550	2380	348	805	373	627	1500	750	10x16	2330	1165	1381
3-MGH-E 40/10 - 37	200L2B	100	80	1550	2380	348	805	373	627	1500	750	10x16	2330	1165	1438
3-MGH-E 40/10 - 45	225M2A	100	80	1600	2380	375	832	373	627	1550	775	10x16	2330	1165	1621
3-MGH4-E 40/11 - 3	100L4B	100	80	1300	2380	288	745	373	682	1250	625	8x16	2330	1165	933
3-MGH4-E 40/11 - 4	112M4B	100	80	1300	2380	288	745	373	682	1250	625	8x16	2330	1165	966
3-MGH4-E 40/11 - 5,5	132S4C	100	80	1350	2380	288	745	373	682	1300	650	8x16	2330	1165	998
3-MGH4-E 40/11 - 7,5	132M4B	100	80	1400	2380	288	745	373	682	1350	675	8x16	2330	1165	1069
3-MGH-E 40/11 - 22	180M2A	100	80	1550	2380	328	785	373	682	1500	750	10x16	2330	1165	1293
3-MGH-E 40/11 - 30	200L2A	100	80	1600	2380	348	805	373	682	1550	775	10x16	2330	1165	1419
3-MGH-E 40/11 - 37	200L2B	100	80	1600	2380	348	805	373	682	1550	775	10x16	2330	1165	1476
3-MGH-E 40/11 - 45	225M2A	100	80	1650	2380	375	832	373	682	1600	800	10x16	2330	1165	1661

Dimensions



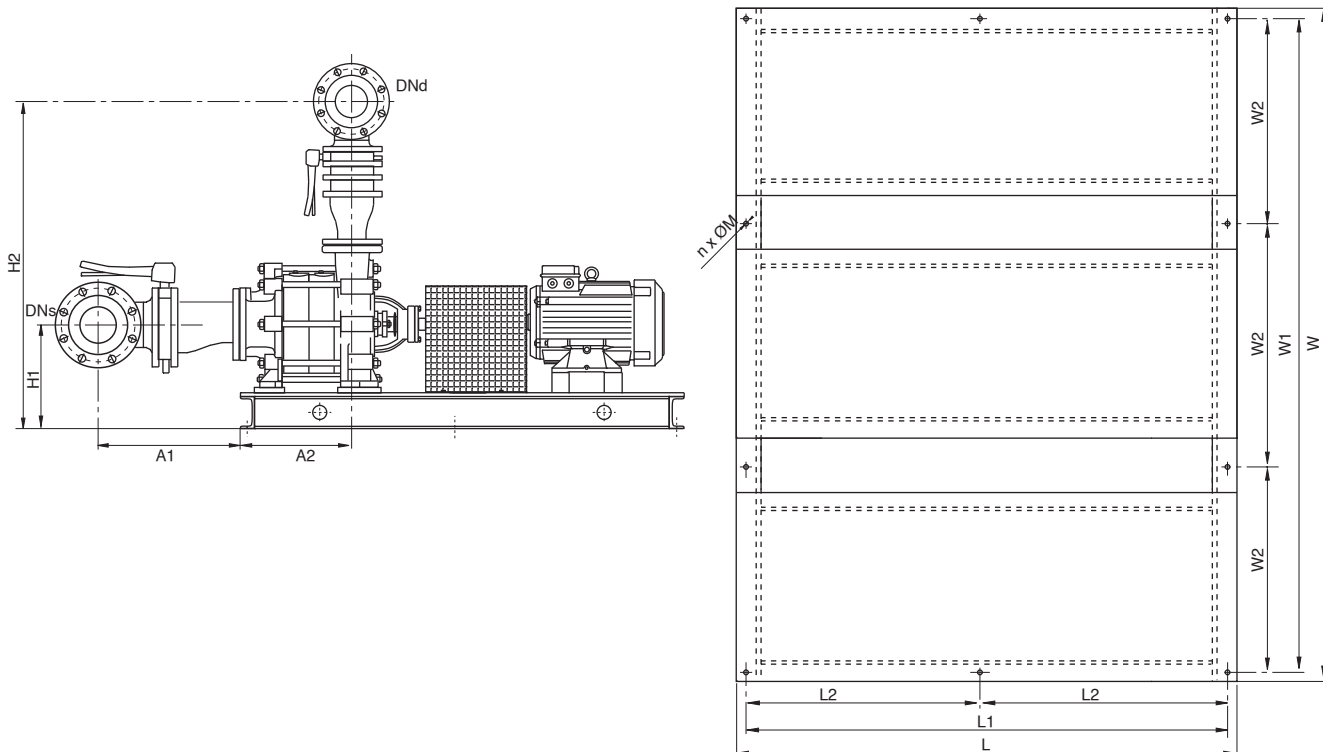
Pump type	Motor	DNs [mm]	DNd [mm]	L [mm]	W [mm]	H1 [mm]	H2 [mm]	A1 [mm]	A2 [mm]	L1 [mm]	L2 [mm]	n x M [n x Ømm]	W1 [mm]	W2 [mm]	Weight [kg]
3-MGH4-E 40/12 - 3	100L4B	100	80	1350	2380	288	745	373	737	1300	650	8x16	2330	1165	969
3-MGH4-E 40/12 - 4	112M4B	100	80	1350	2380	288	745	373	737	1300	650	8x16	2330	1165	1002
3-MGH4-E 40/12 - 5,5	132S4C	100	80	1400	2380	288	745	373	737	1350	675	8x16	2330	1165	1034
3-MGH4-E 40/12 - 7,5	132M4B	100	80	1450	2380	288	745	373	737	1400	700	8x16	2330	1165	1105
3-MGH4-E 40/13 - 3	100L4B	100	80	1400	2380	288	745	373	792	1350	675	8x16	2330	1165	1004
3-MGH4-E 40/13 - 4	112M4B	100	80	1400	2380	288	745	373	792	1350	675	8x16	2330	1165	1039
3-MGH4-E 40/13 - 5,5	132S4C	100	80	1500	2380	288	745	373	792	1450	725	8x16	2330	1165	1078
3-MGH4-E 40/13 - 7,5	132M4B	100	80	1500	2380	288	745	373	792	1450	725	8x16	2330	1165	1141
3-MGH4-E 50/2 - 1,1	90S4A	125	100	800	2380	266	781	410	212	750	375	8x16	2330	1165	714
3-MGH4-E 50/2 - 1,5	90L4A	125	100	800	2380	266	781	410	212	750	375	8x16	2330	1165	720
3-MGH4-E 50/2 - 2,2	100L4A	125	100	850	2380	266	781	410	212	800	400	8x16	2330	1165	744
3-MGH-E 50/2 - 7,5	132S2C	125	100	900	2380	288	803	410	212	850	425	8x16	2330	1165	842
3-MGH-E 50/2 - 11	160M2A	125	100	1050	2380	288	803	410	212	1000	500	8x16	2330	1165	959
3-MGH-E 50/2 - 15	160M2B	125	100	1050	2380	288	803	410	212	1000	500	8x16	2330	1165	980
3-MGH4-E 50/3 - 1,5	90L4A	125	100	850	2380	266	781	410	274	800	400	8x16	2330	1165	765
3-MGH4-E 50/3 - 2,2	100L4A	125	100	900	2380	266	781	410	274	850	425	8x16	2330	1165	789
3-MGH4-E 50/3 - 3	100L4B	125	100	900	2380	288	803	410	274	850	425	8x16	2330	1165	830
3-MGH-E 50/3 - 11	160M2A	125	100	1150	2380	288	803	410	274	1100	550	8x16	2330	1165	1015
3-MGH-E 50/3 - 15	160M2B	125	100	1150	2380	288	803	410	274	1100	550	8x16	2330	1165	1036
3-MGH-E 50/3 - 18,5	160L2A	125	100	1150	2380	288	803	410	274	1100	550	8x16	2330	1165	1081
3-MGH-E 50/3 - 22	180M2A	125	100	1150	2380	308	823	410	274	1100	550	8x16	2330	1165	1150
3-MGH4-E 50/4 - 2,2	100L4A	125	100	950	2380	288	803	410	336	900	450	8x16	2330	1165	868
3-MGH4-E 50/4 - 3	100L4B	125	100	950	2380	288	803	410	336	900	450	8x16	2330	1165	877
3-MGH4-E 50/4 - 4	112M4B	125	100	1000	2380	288	803	410	336	950	475	8x16	2330	1165	906
3-MGH-E 50/4 - 15	160M2B	125	100	1200	2380	288	803	410	336	1150	575	8x16	2330	1165	1083
3-MGH-E 50/4 - 18,5	160L2A	125	100	1200	2380	288	803	410	336	1150	575	8x16	2330	1165	1128
3-MGH-E 50/4 - 22	180M2A	125	100	1250	2380	328	843	410	336	1200	600	8x16	2330	1165	1225
3-MGH-E 50/4 - 30	200L2A	125	100	1250	2380	348	863	410	336	1200	600	10x16	2330	1165	1339
3-MGH4-E 50/5 - 2,2	100L4A	125	100	1050	2380	288	803	410	398	1000	500	8x16	2330	1165	923
3-MGH4-E 50/5 - 3	100L4B	125	100	1050	2380	288	803	410	398	1000	500	8x16	2330	1165	932
3-MGH4-E 50/5 - 4	112M4B	125	100	1050	2380	288	803	410	398	1000	500	8x16	2330	1165	953
3-MGH4-E 50/5 - 5,5	132S4C	125	100	1100	2380	288	803	410	398	1050	525	8x16	2330	1165	984
3-MGH-E 50/5 - 18,5	160L2A	125	100	1250	2380	288	803	410	398	1200	600	8x16	2330	1165	1175
3-MGH-E 50/5 - 22	180M2A	125	100	1300	2380	328	843	410	398	1250	625	8x16	2330	1165	1273
3-MGH-E 50/5 - 30	200L2A	125	100	1350	2380	348	863	410	398	1300	650	10x16	2330	1165	1397

Dimensions



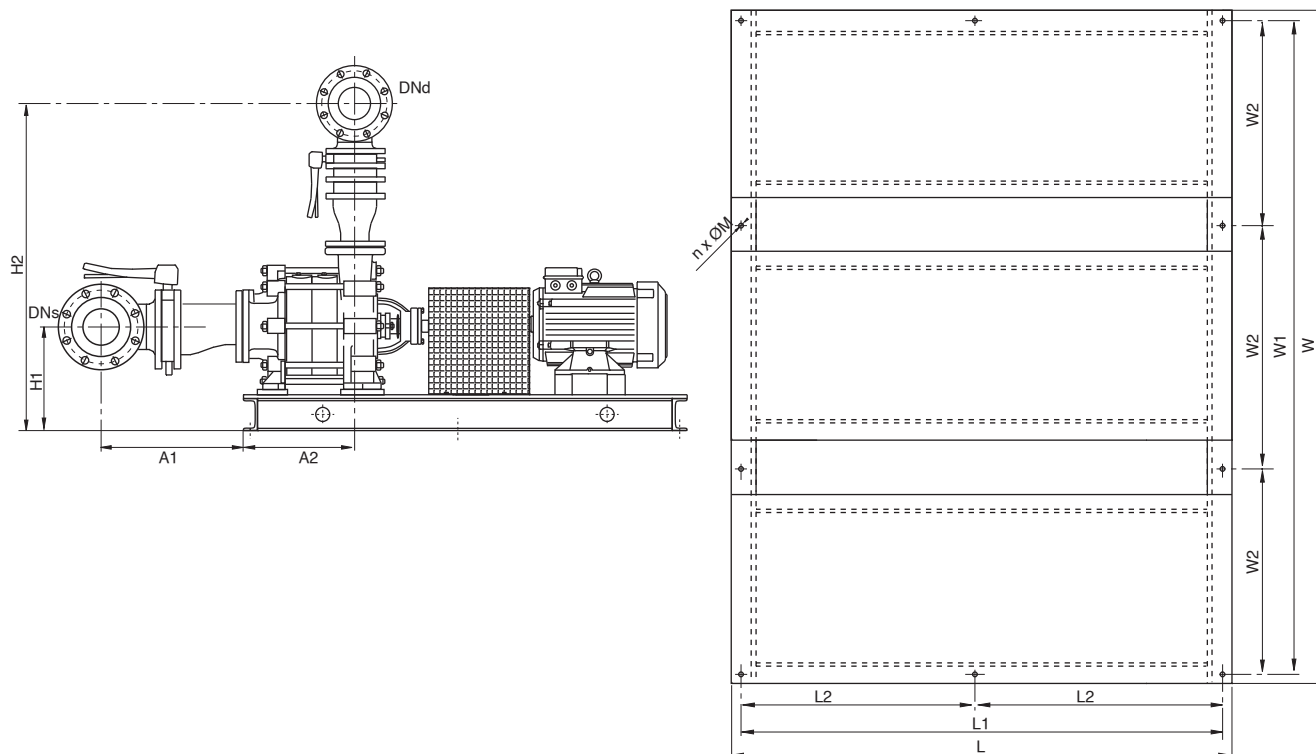
Pump type	Motor	DNs [mm]	DNd [mm]	L [mm]	W [mm]	H1 [mm]	H2 [mm]	A1 [mm]	A2 [mm]	L1 [mm]	L2 [mm]	n x M [nxØmm]	W1 [mm]	W2 [mm]	Weight [kg]
3-MGH-E 50/5 - 37	200L2B	125	100	1350	2380	348	863	410	398	1300	650	10x16	2330	1165	1454
3-MGH-E 50/6 - 22	180M2A	125	100	1350	2380	328	843	410	460	1300	650	10x16	2330	1165	1321
3-MGH4-E 50/6 - 3	100L4B	125	100	1100	2380	288	803	410	460	1050	525	8x16	2330	1165	978
3-MGH4-E 50/6 - 4	112M4B	125	100	1100	2380	288	803	410	460	1050	525	8x16	2330	1165	999
3-MGH4-E 50/6 - 5,5	132S4C	125	100	1150	2380	288	803	410	460	1100	550	8x16	2330	1165	1031
3-MGH4-E 50/6 - 7,5	132M4B	125	100	1200	2380	288	803	410	460	1150	575	8x16	2330	1165	1102
3-MGH-E 50/6 - 30	200L2A	125	100	1400	2380	348	863	410	460	1350	675	10x16	2330	1165	1445
3-MGH-E 50/6 - 37	200L2B	125	100	1400	2380	348	863	410	460	1350	675	10x16	2330	1165	1502
3-MGH-E 50/6 - 45	225M2A	125	100	1450	2380	375	890	410	460	1400	700	10x16	2330	1165	1680
3-MGH4-E 50/7 - 3	100L4B	125	100	1150	2380	288	803	410	522	1100	550	8x16	2330	1165	1025
3-MGH4-E 50/7 - 4	112M4B	125	100	1200	2380	288	803	410	522	1150	575	8x16	2330	1165	1054
3-MGH4-E 50/7 - 5,5	132S4C	125	100	1250	2380	288	803	410	522	1200	600	8x16	2330	1165	1086
3-MGH4-E 50/7 - 7,5	132M4B	125	100	1250	2380	288	803	410	522	1200	600	8x16	2330	1165	1149
3-MGH-E 50/7 - 30	200L2A	125	100	1450	2380	348	863	410	522	1400	700	10x16	2330	1165	1494
3-MGH-E 50/7 - 37	200L2B	125	100	1450	2380	348	863	410	522	1400	700	10x16	2330	1165	1551
3-MGH-E 50/7 - 45	225M2A	125	100	1550	2380	375	890	410	522	1500	750	10x16	2330	1165	1742
3-MGH-E 50/7 - 55	250M2A	125	100	1550	2380	400	915	410	522	1500	750	10x18	2330	1165	1847
3-MGH4-E 50/8 - 4	112M4B	125	100	1250	2380	288	803	410	584	1200	600	8x16	2330	1165	1101
3-MGH4-E 50/8 - 5,5	132S4C	125	100	1300	2380	288	803	410	584	1250	625	8x16	2330	1165	1132
3-MGH4-E 50/8 - 7,5	132M4B	125	100	1350	2380	308	823	410	584	1300	650	8x16	2330	1165	1224
3-MGH4-E 50/8 - 11	160M4B	125	100	1450	2380	308	823	410	584	1400	700	8x16	2330	1165	1303
3-MGH-E 50/8 - 30	200L2A	125	100	1500	2380	348	863	410	584	1450	725	10x16	2330	1165	1542
3-MGH-E 50/8 - 37	200L2B	125	100	1500	2380	350	865	410	584	1450	725	10x16	2330	1165	1635
3-MGH-E 50/8 - 45	225M2A	125	100	1600	2380	375	890	410	584	1550	775	10x18	2330	1165	1792
3-MGH-E 50/8 - 55	250M2A	125	100	1650	2380	400	915	410	584	1600	800	10x18	2330	1165	1910
3-MGH-E 50/8 - 75	280S2	125	100	1800	2380	452	967	410	584	1740	870	10x18	2320	1160	2967
3-MGH4-E 50/9 - 4	112M4B	125	100	1300	2380	288	803	410	646	1250	625	8x16	2330	1165	1147
3-MGH4-E 50/9 - 5,5	132S4C	125	100	1350	2380	288	803	410	646	1300	650	8x16	2330	1165	1179
3-MGH4-E 50/9 - 7,5	132M4B	125	100	1400	2380	308	823	410	646	1350	675	8x16	2330	1165	1272
3-MGH4-E 50/9 - 11	160M4B	125	100	1500	2380	308	823	410	646	1450	725	10x16	2330	1165	1351
3-MGH-E 50/9 - 30	200L2A	125	100	1600	2380	350	865	410	646	1550	775	10x16	2330	1165	1638
3-MGH-E 50/9 - 37	200L2B	125	100	1600	2380	350	865	410	646	1550	775	10x16	2330	1165	1695
3-MGH-E 50/9 - 45	225M2A	125	100	1650	2380	375	890	410	646	1600	800	10x18	2330	1165	1842
3-MGH-E 50/9 - 55	250M2A	125	100	1700	2380	400	915	410	646	1650	825	10x18	2330	1165	1960
3-MGH-E 50/9 - 75	280S2	125	100	1850	2380	452	967	410	646	1790	895	10x18	2320	1160	3021
3-MGH4-E 50/10 - 4	112M4B	125	100	1350	2380	308	823	410	708	1300	650	8x16	2330	1165	1215
3-MGH4-E 50/10 - 5,5	132S4C	125	100	1400	2380	308	823	410	708	1350	675	8x16	2330	1165	1248
3-MGH4-E 50/10 - 7,5	132M4B	125	100	1450	2380	308	823	410	708	1400	700	10x16	2330	1165	1319
3-MGH4-E 50/10 - 11	160M4B	125	100	1550	2380	308	823	410	708	1500	750	10x16	2330	1165	1399

Dimensions



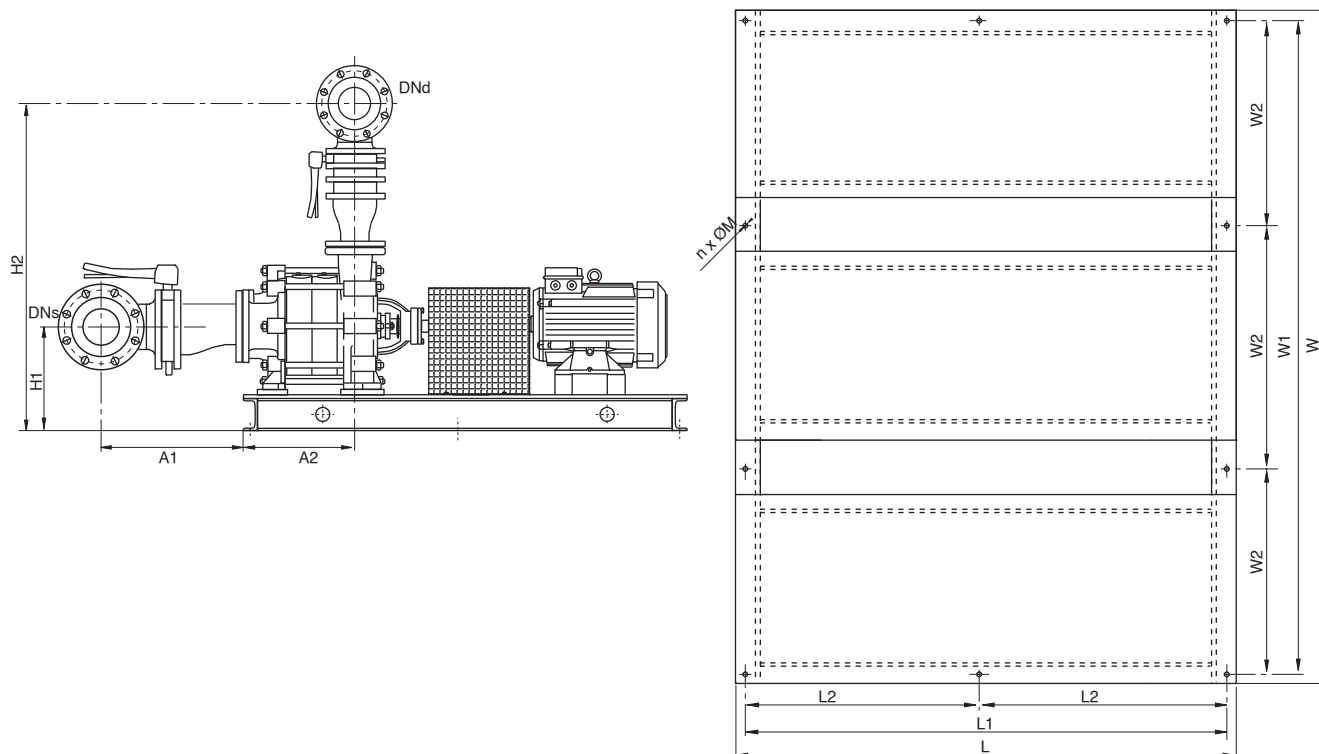
Pump type	Motor	DNs [mm]	DNd [mm]	L [mm]	W [mm]	H1 [mm]	H2 [mm]	A1 [mm]	A2 [mm]	L1 [mm]	L2 [mm]	n x M [n x Ømm]	W1 [mm]	W2 [mm]	Weight [kg]
3-MGH4-E 50/11 - 5,5	132S4C	125	100	1500	2380	308	823	410	770	1450	725	8x16	2330	1165	1304
3-MGH4-E 50/11 - 7,5	132M4B	125	100	1500	2380	308	823	410	770	1450	725	10x16	2330	1165	1367
3-MGH4-E 50/11 - 11	160M4B	125	100	1600	2380	308	823	410	770	1550	775	10x16	2330	1165	1447
3-MGH4-E 50/12 - 5,5	132S4C	125	100	1550	2380	308	823	410	832	1500	750	10x16	2330	1165	1352
3-MGH4-E 50/12 - 7,5	132M4B	125	100	1600	2380	308	823	410	832	1550	775	10x16	2330	1165	1423
3-MGH4-E 50/12 - 11	160M4B	125	100	1700	2380	308	823	410	832	1650	825	10x16	2330	1165	1504
3-MGH4-E 50/12 - 15	160L4A	125	100	1700	2380	308	823	410	832	1650	825	10x16	2330	1165	1546
3-MGH4-E 65/2 - 2,2	100L4A	150	125	900	2380	308	846	490	247	850	425	8x16	2330	1165	917
3-MGH4-E 65/2 - 3	100L4B	150	125	900	2380	308	846	490	247	850	425	8x16	2330	1165	926
3-MGH4-E 65/2 - 4	112M4B	150	125	900	2380	308	846	490	247	850	425	8x16	2330	1165	947
3-MGH-E 65/2 - 18,5	160L2A	150	125	1100	2380	308	846	490	247	1050	525	8x16	2330	1165	1160
3-MGH-E 65/2 - 22	180M2A	150	125	1150	2380	308	846	490	247	1100	550	8x16	2330	1165	1237
3-MGH-E 65/2 - 30	200L2A	150	125	1200	2380	348	886	490	247	1150	575	8x16	2330	1165	1377
3-MGH-E 65/2 - 37	200L2B	150	125	1200	2380	348	886	490	247	1150	575	10x16	2330	1165	1434
3-MGH4-E 65/3 - 4	112M4B	150	125	1000	2380	308	846	490	318	950	475	8x16	2330	1165	1023
3-MGH4-E 65/3 - 5,5	132S4C	150	125	1050	2380	308	846	490	318	1000	500	8x16	2330	1165	1055
3-MGH4-E 65/3 - 7,5	132M4B	150	125	1100	2380	308	846	490	318	1050	525	8x16	2330	1165	1127
3-MGH-E 65/3 - 30	200L2A	150	125	1250	2380	348	886	490	318	1200	600	10x16	2330	1165	1447
3-MGH-E 65/3 - 37	200L2B	150	125	1250	2380	348	886	490	318	1200	600	10x16	2330	1165	1504
3-MGH-E 65/3 - 45	225M2A	150	125	1350	2380	375	913	490	318	1300	650	10x16	2330	1165	1687
3-MGH-E 65/3 - 55	250M2A	150	125	1400	2380	400	938	490	318	1350	675	10x16	2330	1165	1802
3-MGH4-E 65/4 - 5,5	132S4C	150	125	1100	2380	308	846	490	389	1050	525	8x16	2330	1165	1124
3-MGH4-E 65/4 - 7,5	132M4B	150	125	1150	2380	308	846	490	389	1100	550	8x16	2330	1165	1195
3-MGH4-E 65/4 - 11	160M4B	150	125	1250	2380	308	846	490	389	1200	600	8x16	2330	1165	1259
3-MGH-E 65/4 - 37	200L2B	150	125	1350	2380	348	886	490	389	1300	650	10x16	2330	1165	1583
3-MGH-E 65/4 - 45	225M2A	150	125	1400	2380	375	913	490	389	1350	675	10x16	2330	1165	1759
3-MGH-E 65/4 - 55	250M2A	150	125	1450	2380	400	938	490	389	1400	700	10x18	2330	1165	1874
3-MGH-E 65/4 - 75	280S2	150	125	1650	2380	452	990	490	389	1590	795	10x18	2320	1160	2934
3-MGH4-E 65/5 - 5,5	132S4C	150	125	1200	2380	308	846	490	460	1150	575	8x16	2330	1165	1200
3-MGH4-E 65/5 - 7,5	132M4B	150	125	1200	2380	328	866	490	460	1150	575	8x16	2330	1165	1282
3-MGH4-E 65/5 - 11	160M4B	150	125	1350	2380	328	866	490	460	1300	650	8x16	2330	1165	1357
3-MGH-E 65/5 - 45	225M2A	150	125	1500	2380	375	913	490	460	1450	725	10x18	2330	1165	1841
3-MGH-E 65/5 - 55	250M2A	150	125	1550	2380	400	938	490	460	1500	750	10x18	2330	1165	1958
3-MGH-E 65/5 - 75	280S2	150	125	1700	2380	452	990	490	460	1640	820	10x18	2320	1160	3009
3-MGH-E 65/5 - 90	280M2	150	125	1750	2380	452	990	490	460	1690	845	10x18	2320	1160	3174

Dimensions



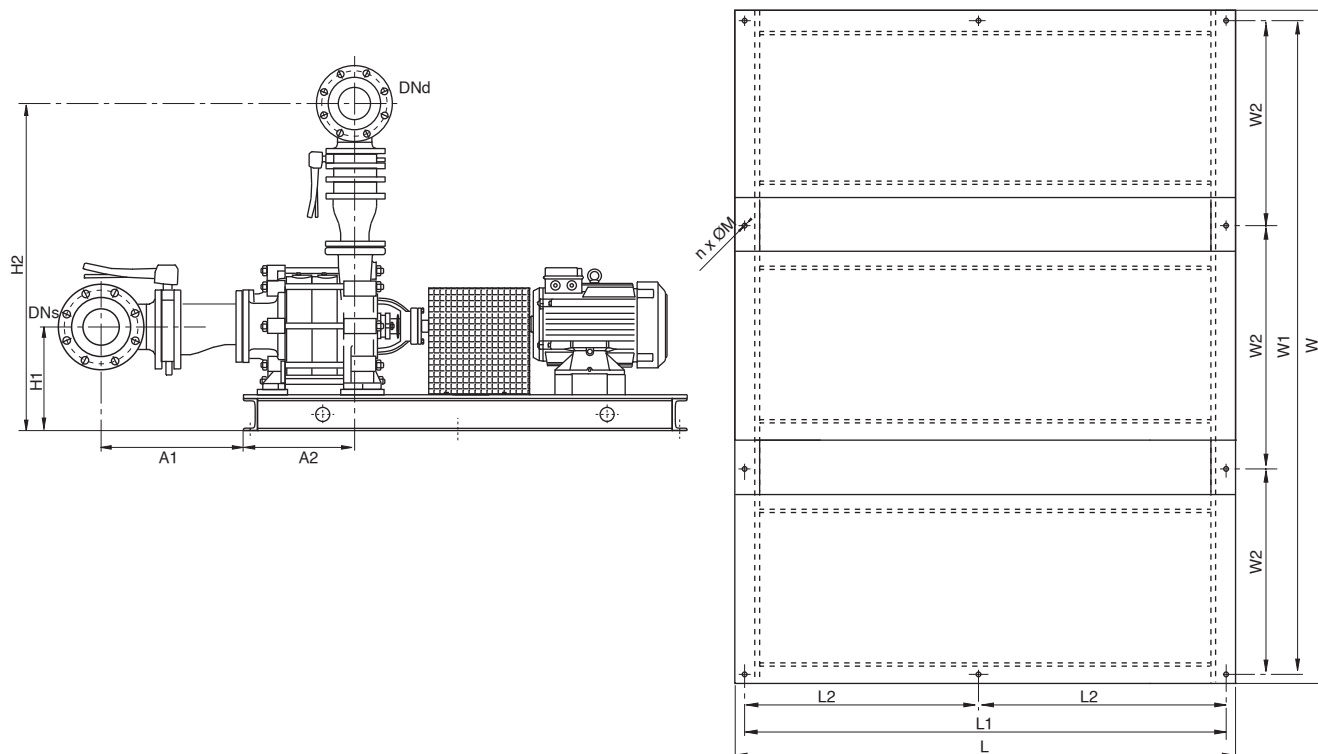
Pump type	Motor	DN _s [mm]	DN _d [mm]	L [mm]	W [mm]	H1 [mm]	H2 [mm]	A1 [mm]	A2 [mm]	L1 [mm]	L2 [mm]	n x M [nxØmm]	W1 [mm]	W2 [mm]	Weight [kg]
3-MGH4-E 65/6 - 7,5	132M4B	150	125	1300	2380	328	866	490	531	1250	625	8x16	2330	1165	1360
3-MGH4-E 65/6 - 11	160M4B	150	125	1400	2380	328	866	490	531	1350	675	10x16	2330	1165	1426
3-MGH4-E 65/6 - 15	160L4A	150	125	1400	2380	328	866	490	531	1350	675	10x16	2330	1165	1468
3-MGH-E 65/6 - 55	250M2A	150	125	1600	2380	400	938	490	531	1550	775	10x18	2330	1165	2030
3-MGH-E 65/6 - 75	280S2	150	125	1750	2380	452	990	490	531	1690	845	10x18	2320	1160	3084
3-MGH-E 65/6 - 90	280M2	150	125	1850	2380	472	1010	490	531	1790	895	10x18	2320	1160	3299
3-MGH-E 65/6 - 110	315S2	150	125	1900	3000	507	1045	490	531	1840	920	10x18	2940	1470	3933
3-MGH4-E 65/7 - 7,5	132M4B	150	125	1350	2380	328	866	490	602	1300	650	10x16	2330	1165	1429
3-MGH4-E 65/7 - 11	160M4B	150	125	1450	2380	328	866	490	602	1400	700	10x16	2330	1165	1495
3-MGH4-E 65/7 - 15	160L4A	150	125	1450	2380	328	866	490	602	1400	700	10x16	2330	1165	1537
3-MGH4-E 65/8 - 11	160M4B	150	125	1550	2380	328	866	490	673	1500	750	10x16	2330	1165	1573
3-MGH4-E 65/8 - 15	160L4A	150	125	1550	2380	328	866	490	673	1500	750	10x16	2330	1165	1615
3-MGH4-E 65/8 - 18,5	180M4B	150	125	1600	2380	330	868	490	673	1550	775	10x16	2330	1165	1745
3-MGH4-E 65/9 - 11	160M4B	150	125	1600	2380	328	866	490	744	1550	775	10x16	2330	1165	1642
3-MGH4-E 65/9 - 15	160L4A	150	125	1600	2380	330	868	490	744	1550	775	10x16	2330	1165	1718
3-MGH4-E 65/9 - 18,5	180M4B	150	125	1650	2380	330	868	490	744	1600	800	10x16	2330	1165	1815
3-MGH4-E 65/10 - 11	160M4B	150	125	1700	2380	330	868	490	815	1650	825	10x16	2330	1165	1756
3-MGH4-E 65/10 - 15	160L4A	150	125	1700	2380	330	868	490	815	1650	825	10x16	2330	1165	1798
3-MGH4-E 65/10 - 18,5	180M4B	150	125	1750	2380	330	868	490	815	1700	850	10x18	2330	1165	1895
3-MGH4-E 65/10 - 22	180L4B	150	125	1750	2380	330	868	490	815	1700	850	10x18	2330	1165	1919
3-MGH4-E 65/11 - 15	160L4A	150	125	1750	2380	330	868	490	886	1700	850	10x18	2330	1165	1868
3-MGH4-E 65/11 - 18,5	180M4B	150	125	1800	2380	330	868	490	886	1750	875	10x18	2330	1165	1966
3-MGH4-E 65/11 - 22	180L4B	150	125	1800	2380	330	868	490	886	1750	875	10x18	2330	1165	1990
3-MGH4-E 80/2 - 4	112M4B	200	150	1100	2380	338	916	522	280	1050	525	10x16	2330	1165	859
3-MGH4-E 80/2 - 5,5	132S4C	200	150	1150	2380	338	916	522	280	1100	550	10x16	2330	1165	892
3-MGH4-E 80/2 - 7,5	132M4B	200	150	1200	2380	338	916	522	280	1150	575	10x16	2330	1165	964
3-MGH4-E 80/2 - 11	160M4B	200	150	1300	2380	358	936	522	280	1250	625	10x16	2330	1165	1050
3-MGH-E 80/2 - 30	200L2A	200	150	1400	2380	358	936	522	280	1350	675	10x16	2330	1165	1286
3-MGH-E 80/2 - 37	200L2B	200	150	1400	2380	358	936	522	280	1350	675	10x16	2330	1165	1343
3-MGH-E 80/2 - 45	225M2A	200	150	1450	2380	375	953	522	280	1400	700	10x16	2330	1165	1504
3-MGH-E 80/2 - 55	250M2A	200	150	1500	2380	400	978	522	280	1450	725	10x18	2330	1165	1619
3-MGH-E 80/2 - 75	280S2	200	150	1700	2380	452	1030	522	280	1640	820	10x18	2320	1160	2676
3-MGH4-E 80/3 - 5,5	132S4C	200	150	1250	2380	338	916	522	363	1200	600	10x16	2330	1165	989
3-MGH4-E 80/3 - 7,5	132M4B	200	150	1300	2380	358	936	522	363	1250	625	10x16	2330	1165	1080
3-MGH4-E 80/3 - 11	160M4B	200	150	1400	2380	358	936	522	363	1350	675	10x16	2330	1165	1148
3-MGH4-E 80/3 - 15	160L4A	200	150	1400	2380	358	936	522	363	1350	675	10x16	2330	1165	1190
3-MGH-E 80/3 - 45	225M2A	200	150	1550	2380	375	953	522	363	1500	750	10x18	2330	1165	1605
3-MGH-E 80/3 - 55	250M2A	200	150	1600	2380	400	978	522	363	1550	775	10x18	2330	1165	1721
3-MGH-E 80/3 - 75	280S2	200	150	1750	2380	452	1030	522	363	1690	845	10x18	2320	1160	2769
3-MGH-E 80/3 - 90	280M2	200	150	1800	2380	452	1030	522	363	1740	870	10x18	2320	1160	2934

Dimensions



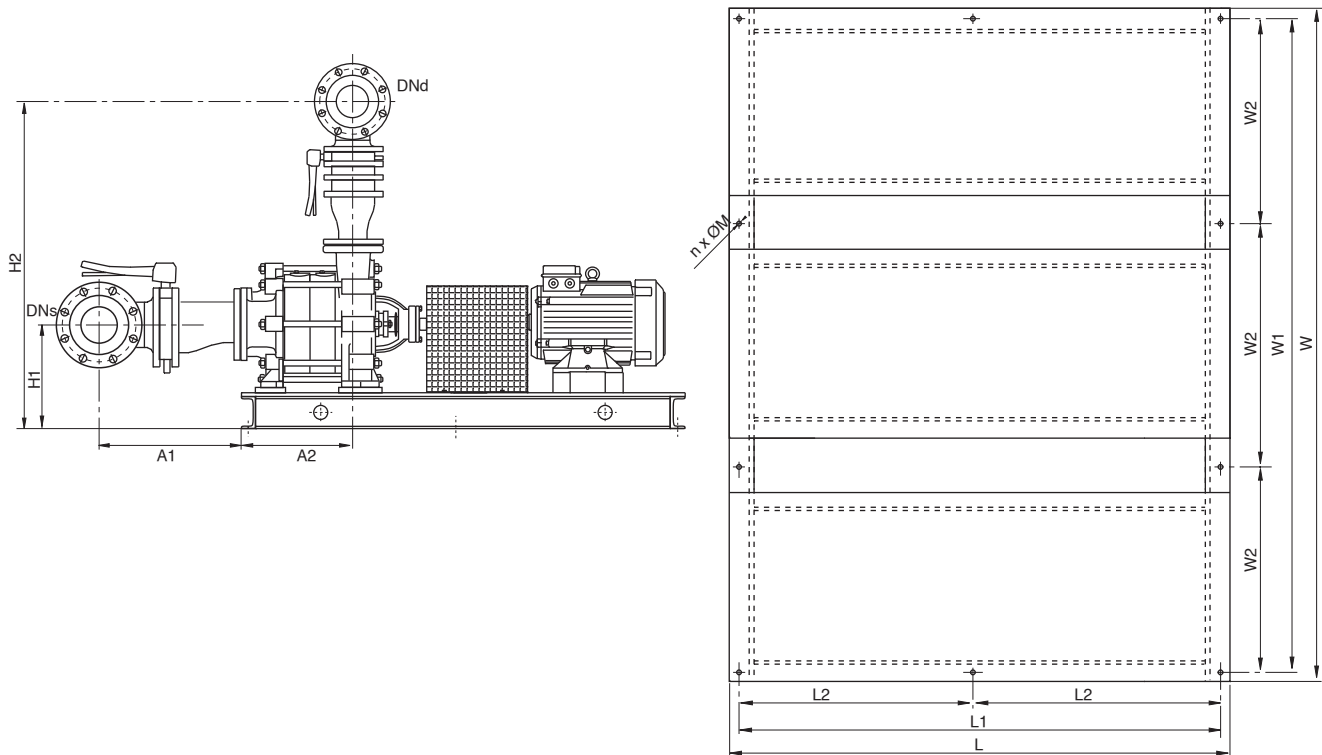
Pump type	Motor	DNs [mm]	DNd [mm]	L [mm]	W [mm]	H1 [mm]	H2 [mm]	A1 [mm]	A2 [mm]	L1 [mm]	L2 [mm]	n x M [n x Ømm]	W1 [mm]	W2 [mm]	Weight [kg]
3-MGH4-E 80/4 - 7,5	132M4B	200	150	1350	2380	358	936	522	446	1300	650	10x16	2330	1165	1168
3-MGH4-E 80/4 - 11	160M4B	200	150	1450	2380	358	936	522	446	1400	700	10x16	2330	1165	1235
3-MGH4-E 80/4 - 15	160L4A	200	150	1450	2380	358	936	522	446	1400	700	10x16	2330	1165	1277
3-MGH4-E 80/4 - 18,5	180M4B	200	150	1500	2380	360	938	522	446	1450	725	10x16	2330	1165	1411
3-MGH-E 80/4 - 75	280S2	200	150	1850	2380	452	1030	522	446	1790	895	10x18	2320	1160	2877
3-MGH-E 80/4 - 90	280M2	200	150	1900	2380	472	1050	522	446	1840	920	10x18	2320	1160	3076
3-MGH-E 80/4 - 110	315S2	200	150	1950	3000	507	1085	522	446	1890	945	10x18	2940	1470	3709
3-MGH-E 80/4 - 132	315M2A	200	150	2000	3000	507	1085	522	446	1940	970	10x18	2940	1470	4050
3-MGH4-E 80/5 - 11	160M4B	200	150	1550	2380	358	936	522	529	1500	750	10x16	2330	1165	1333
3-MGH4-E 80/5 - 15	160L4A	200	150	1550	2380	358	936	522	529	1500	750	10x16	2330	1165	1375
3-MGH4-E 80/5 - 18,5	180M4B	200	150	1600	2380	360	938	522	529	1550	775	10x16	2330	1165	1511
3-MGH4-E 80/5 - 22	180L4B	200	150	1600	2380	360	938	522	529	1550	775	10x16	2330	1165	1535
3-MGH-E 80/5 - 75	280S2	200	150	1950	2380	452	1030	522	529	1890	945	10x18	2320	1160	2985
3-MGH-E 80/5 - 90	280M2	200	150	2000	2380	472	1050	522	529	1940	970	10x18	2320	1160	3186
3-MGH-E 80/5 - 110	315S2	200	150	2050	3000	507	1085	522	529	1990	995	10x18	2940	1470	3820
3-MGH-E 80/5 - 132	315M2A	200	150	2100	3000	507	1085	522	529	2040	1020	10x18	2940	1470	4161
3-MGH-E 80/5 - 160	315M2B	200	150	2100	3000	527	1105	522	529	2040	1020	10x20	2940	1470	4604
3-MGH4-E 80/6 - 11	160M4B	200	150	1650	2380	360	938	522	612	1600	800	10x16	2330	1165	1472
3-MGH4-E 80/6 - 15	160L4A	200	150	1650	2380	360	938	522	612	1600	800	10x16	2330	1165	1514
3-MGH4-E 80/6 - 18,5	180M4B	200	150	1700	2380	360	938	522	612	1650	825	10x18	2330	1165	1612
3-MGH4-E 80/6 - 22	180L4B	200	150	1700	2380	360	938	522	612	1650	825	10x18	2330	1165	1636
3-MGH4-E 80/6 - 30	200L4C	200	150	1700	2380	380	958	522	612	1640	820	10x18	2320	1160	1810
3-MGH-E 80/6 - 90	280M2	200	150	2050	2380	472	1050	522	612	1990	995	10x18	2320	1160	3280
3-MGH-E 80/6 - 110	315S2	200	150	2150	3000	507	1085	522	612	2090	1045	10x18	2940	1470	3931
3-MGH-E 80/6 - 132	315M2A	200	150	2200	3000	507	1085	522	612	2140	1070	10x18	2940	1470	4272
3-MGH-E 80/6 - 160	315M2B	200	150	2200	3000	527	1105	522	612	2140	1070	10x20	2940	1470	4718
3-MGH-E 80/6 - 185	315L2A	200	150	2250	3000	527	1105	522	612	2190	1095	10x20	2940	1470	5036
3-MGH4-E 80/7 - 15	160L4A	200	150	1700	2380	360	938	522	695	1650	825	10x18	2330	1165	1603
3-MGH4-E 80/7 - 18,5	180M4B	200	150	1750	2380	360	938	522	695	1700	850	10x18	2330	1165	1701
3-MGH4-E 80/7 - 22	180L4B	200	150	1750	2380	360	938	522	695	1700	850	10x18	2330	1165	1725
3-MGH4-E 80/7 - 30	200L4C	200	150	1800	2380	380	958	522	695	1740	870	10x18	2320	1160	1912
3-MGH4-E 80/8 - 15	160L4A	200	150	1800	2380	360	938	522	778	1750	875	10x18	2330	1165	1703
3-MGH4-E 80/8 - 18,5	180M4B	200	150	1850	2380	380	958	522	778	1790	895	10x18	2320	1160	1831
3-MGH4-E 80/8 - 22	180L4B	200	150	1850	2380	380	958	522	778	1790	895	10x18	2320	1160	1855
3-MGH4-E 80/8 - 30	200L4C	200	150	1900	2380	380	958	522	778	1840	920	10x18	2320	1160	2014
3-MGH4-E 80/8 - 37	225S4A	200	150	2000	2380	395	973	522	778	1940	970	10x18	2320	1160	2179
3-MGH4-E 80/8 - 45	225M4C	200	150	2000	2380	395	973	522	778	1940	970	10x18	2320	1160	2290

Dimensions



Pump type	Motor	DNs [mm]	DNd [mm]	L [mm]	W [mm]	H1 [mm]	H2 [mm]	A1 [mm]	A2 [mm]	L1 [mm]	L2 [mm]	n x M [nxØmm]	W1 [mm]	W2 [mm]	Weight [kg]
3-MGH4-E 80/9 - 18,5	180M4B	200	150	1850	2380	395	973	522	861	1790	895	10x18	2320	1160	2236
3-MGH4-E 80/9 - 22	180L4B	200	150	1850	2380	395	973	522	861	1790	895	10x18	2320	1160	2260
3-MGH4-E 80/9 - 30	200L4C	200	150	1850	2380	395	973	522	861	1790	895	10x18	2320	1160	2407
3-MGH4-E 80/9 - 37	225S4A	200	150	1950	2380	395	973	522	861	1890	945	10x18	2320	1160	2573
3-MGH4-E 80/9 - 45	225M4C	200	150	1950	2380	395	973	522	861	1890	945	10x18	2320	1160	2684
3-MGH4-E 80/10 - 18,5	180M4B	200	150	1900	2380	395	973	522	944	1840	920	10x18	2320	1160	2326
3-MGH4-E 80/10 - 22	180L4B	200	150	1900	2380	395	973	522	944	1840	920	10x18	2320	1160	2350
3-MGH4-E 80/10 - 30	200L4C	200	150	1950	2380	395	973	522	944	1890	945	10x18	2320	1160	2510
3-MGH4-E 80/10 - 37	225S4A	200	150	2050	2380	395	973	522	944	1990	995	10x18	2320	1160	2675
3-MGH4-E 80/10 - 45	225M4C	200	150	2050	2380	395	973	522	944	1990	995	10x18	2320	1160	2786
3-MGH4-E 100/2 - 15	160L4A	250	200	1450	2380	400	1137	522	347	1400	700	10x16	2330	1165	1400
3-MGH4-E 100/2 - 18,5	180M4B	250	200	1500	2380	400	1137	522	347	1450	725	10x16	2330	1165	1499
3-MGH4-E 100/2 - 22	180L4B	250	200	1500	2380	400	1137	522	347	1450	725	10x16	2330	1165	1523
3-MGH4-E 100/2 - 30	200L4C	250	200	1500	2380	400	1137	522	347	1450	725	10x18	2330	1165	1670
3-MGH4-E 100/3 - 22	180L4A	250	200	1600	2380	400	1137	522	447	1550	775	10x18	2330	1165	1673
3-MGH4-E 100/3 - 30	200L4C	250	200	1600	2380	420	1157	522	447	1540	770	10x18	2320	1160	1845
3-MGH4-E 100/3 - 37	225S4A	250	200	1700	2380	420	1157	522	447	1640	820	10x18	2320	1160	2012
3-MGH4-E 100/4 - 30	200L4C	250	200	1700	2380	420	1157	522	547	1640	820	10x18	2320	1160	1997
3-MGH4-E 100/4 - 37	225S4A	250	200	1800	2380	420	1157	522	547	1740	870	10x18	2320	1160	2163
3-MGH4-E 100/4 - 45	225M4C	250	200	1800	2380	420	1157	522	547	1740	870	10x18	2320	1160	2274
3-MGH4-E 100/4 - 55	250M4C	250	200	1850	2380	420	1157	522	547	1790	895	10x18	2320	1160	2347
3-MGH4-E 100/5 - 37	225S4A	250	200	1900	2380	420	1157	522	647	1840	920	10x18	2320	1160	2314
3-MGH4-E 100/5 - 45	225M4C	250	200	1900	2380	420	1157	522	647	1840	920	10x18	2320	1160	2425
3-MGH4-E 100/5 - 55	250M4C	250	200	1950	2380	422	1159	522	647	1890	945	10x18	2320	1160	2550
3-MGH4-E 100/5 - 75	280S4	250	200	2100	2380	472	1209	522	647	2040	1020	10x18	2320	1160	3409
3-MGH4-E 100/6 - 45	225M4C	250	200	2000	2380	422	1159	522	747	1940	970	10x18	2320	1160	2630
3-MGH4-E 100/6 - 55	250M4C	250	200	2050	2380	422	1159	522	747	1990	995	10x18	2320	1160	2705
3-MGH4-E 100/6 - 75	280S4	250	200	2200	2380	472	1209	522	747	2140	1070	10x18	2320	1160	3567
3-MGH4-E 100/7 - 45	225M4C	250	200	2100	2380	422	1159	522	847	2040	1020	10x18	2320	1160	2785
3-MGH4-E 100/7 - 55	250M4C	250	200	2150	2380	422	1159	522	847	2090	1045	10x18	2320	1160	2859
3-MGH4-E 100/7 - 75	280S4	250	200	2300	2380	472	1209	522	847	2240	1120	10x18	2320	1160	3725
3-MGH4-E 100/7 - 90	280M4	250	200	2350	2380	472	1209	522	847	2290	1145	10x18	2320	1160	3980
3-MGH4-E 100/8 - 55	250M4C	250	200	2250	2380	422	1159	522	947	2190	1095	10x18	2320	1160	3013
3-MGH4-E 100/8 - 75	280S4	250	200	2400	2380	472	1209	522	947	2340	1170	10x18	2320	1160	3882
3-MGH4-E 100/8 - 90	280M4	250	200	2450	2380	472	1209	522	947	2390	1195	10x18	2320	1160	4138
3-MGH4-E 100/8 - 110	315S4	250	200	2550	3000	527	1264	522	947	2490	1245	10x20	2940	1470	4767
3-MGH4-E 100/9 - 75	280S4	250	200	2500	2380	472	1209	522	1047	2440	1220	10x18	2320	1160	4040
3-MGH4-E 100/9 - 90	280M4	250	200	2550	2380	472	1209	522	1047	2490	1245	10x18	2320	1160	4295
3-MGH4-E 100/9 - 110	315S4	250	200	2650	3000	527	1264	522	1047	2590	1295	10x20	2940	1470	4930

Dimensions



Pump type	Motor	DNs [mm]	DNd [mm]	L [mm]	W [mm]	H1 [mm]	H2 [mm]	A1 [mm]	A2 [mm]	L1 [mm]	L2 [mm]	n x M [n x Ømm]	W1 [mm]	W2 [mm]	Weight [kg]
3-MGH4-E 100/10 - 75	280S4	250	200	2600	2380	472	1209	522	1147	2540	1270	10x18	2320	1160	4197
3-MGH4-E 100/10 - 90	280M4	250	200	2650	2380	472	1209	522	1147	2590	1295	10x18	2320	1160	4453
3-MGH4-E 100/10 - 110	315S4	250	200	2750	3000	527	1264	522	1147	2690	1345	10x20	2940	1470	5092
3-MGH4-E 100/10 - 132	315M4A	250	200	2800	3000	527	1264	522	1147	2740	1370	10x20	2940	1470	5470
3-MGH4-E 125/2 - 37	225S4A	300	250	1650	2380	472	1244	546	364	1590	795	10x18	2320	1160	2534
3-MGH4-E 125/2 - 45	225M4C	300	250	1650	2380	472	1244	546	364	1590	795	10x18	2320	1160	2645
3-MGH4-E 125/2 - 55	250M4C	300	250	1650	2380	472	1244	546	364	1590	795	10x18	2320	1160	2705
3-MGH4-E 125/3 - 55	250M4C	300	250	1800	2380	492	1264	546	479	1740	870	10x18	2320	1160	3012
3-MGH4-E 125/3 - 75	280S4	300	250	1950	2380	492	1264	546	479	1890	945	10x18	2320	1160	3813
3-MGH4-E 125/4 - 75	280S4	300	250	2050	2380	492	1264	546	594	1990	995	10x18	2320	1160	4073
3-MGH4-E 125/4 - 90	280M4	300	250	2100	2380	492	1264	546	594	2040	1020	10x18	2320	1160	4330
3-MGH4-E 125/4 - 110	315S4	300	250	2200	3000	527	1299	546	594	2140	1070	10x20	2940	1470	4886
3-MGH4-E 125/5 - 90	280M4	300	250	2250	2380	512	1284	546	709	2190	1095	10x20	2320	1160	4649
3-MGH4-E 125/5 - 110	315S4	300	250	2350	3000	527	1299	546	709	2290	1145	10x20	2940	1470	5165
3-MGH4-E 125/5 - 132	315M4A	300	250	2400	3000	527	1299	546	709	2340	1170	10x20	2940	1470	5544
3-MGH4-E 125/6 - 110	315S4	300	250	2450	3000	527	1299	546	824	2390	1195	10x20	2940	1470	5427
3-MGH4-E 125/6 - 132	315M4A	300	250	2500	3000	527	1299	546	824	2440	1220	10x20	2940	1470	5805
3-MGH4-E 125/6 - 160	315M4B	300	250	2500	3000	527	1299	546	824	2440	1220	10x20	2940	1470	6180
3-MGH4-E 125/7 - 132	315M4A	300	250	2600	3000	527	1299	546	939	2540	1270	10x20	2940	1470	6066
3-MGH4-E 125/7 - 160	315M4B	300	250	2600	3000	527	1299	546	939	2540	1270	10x20	2940	1470	6441
3-MGH4-E 125/7 - 185	315L4A	300	250	2700	3000	527	1299	546	939	2640	1320	10x20	2940	1470	6778
3-MGH4-E 125/8 - 160	315M4B	300	250	2750	3000	527	1299	546	1054	2690	1345	10x20	2940	1470	6721
3-MGH4-E 125/8 - 185	315L4A	300	250	2800	3000	527	1299	546	1054	2740	1370	10x20	2940	1470	7039
3-MGH4-E 125/8 - 200	315L4B	300	250	2800	3000	527	1299	546	1054	2740	1370	10x20	2940	1470	7189